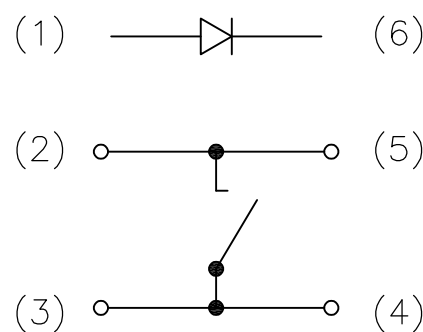
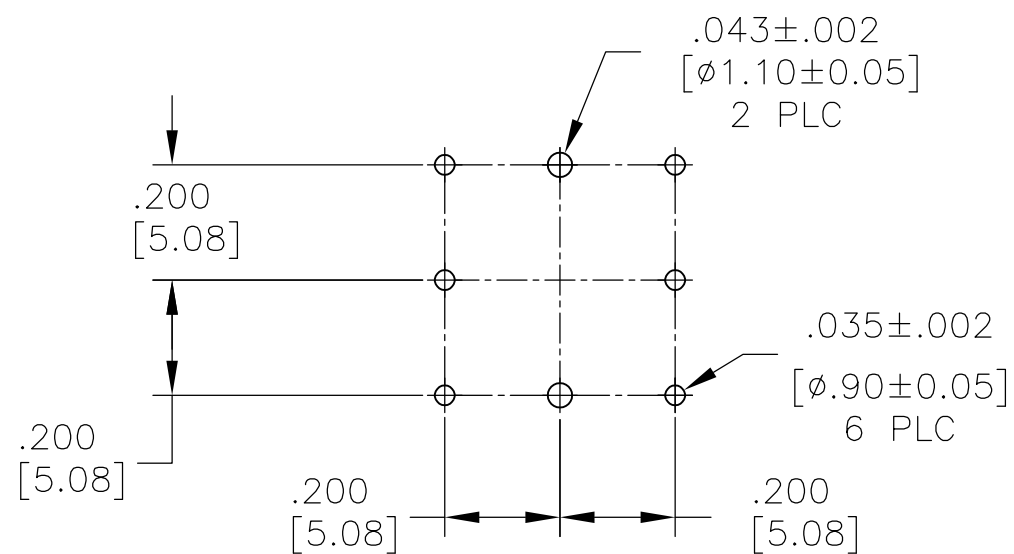
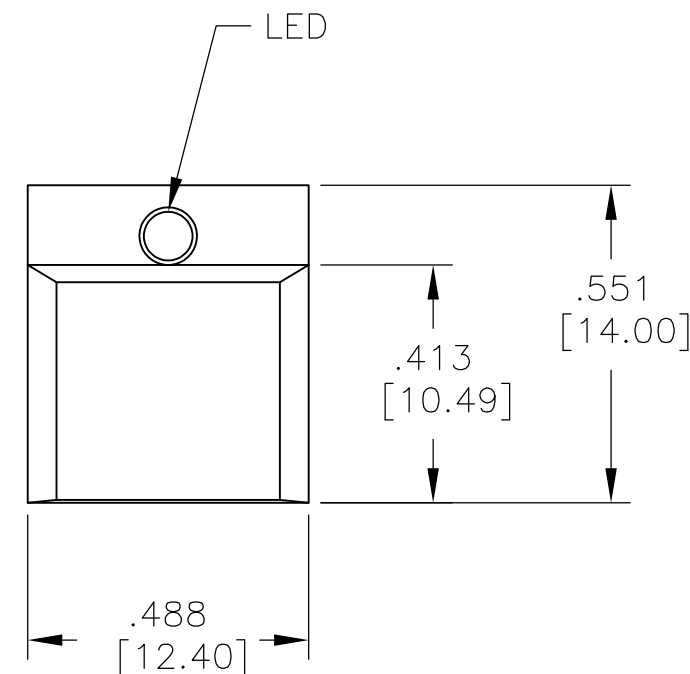
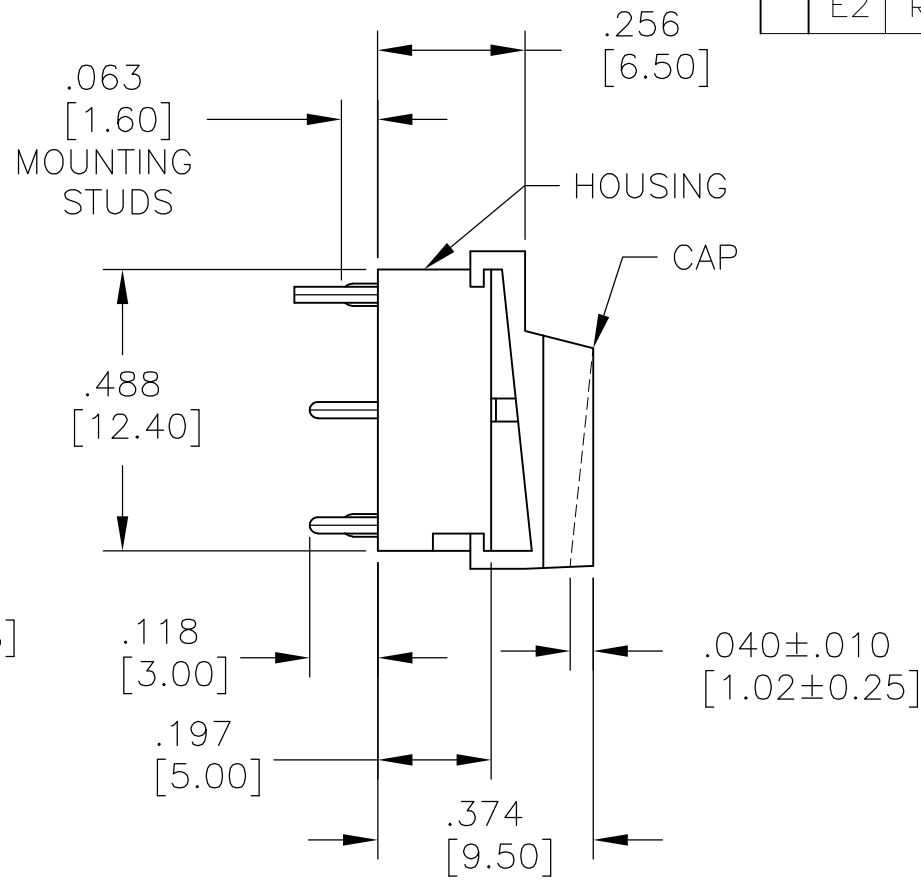
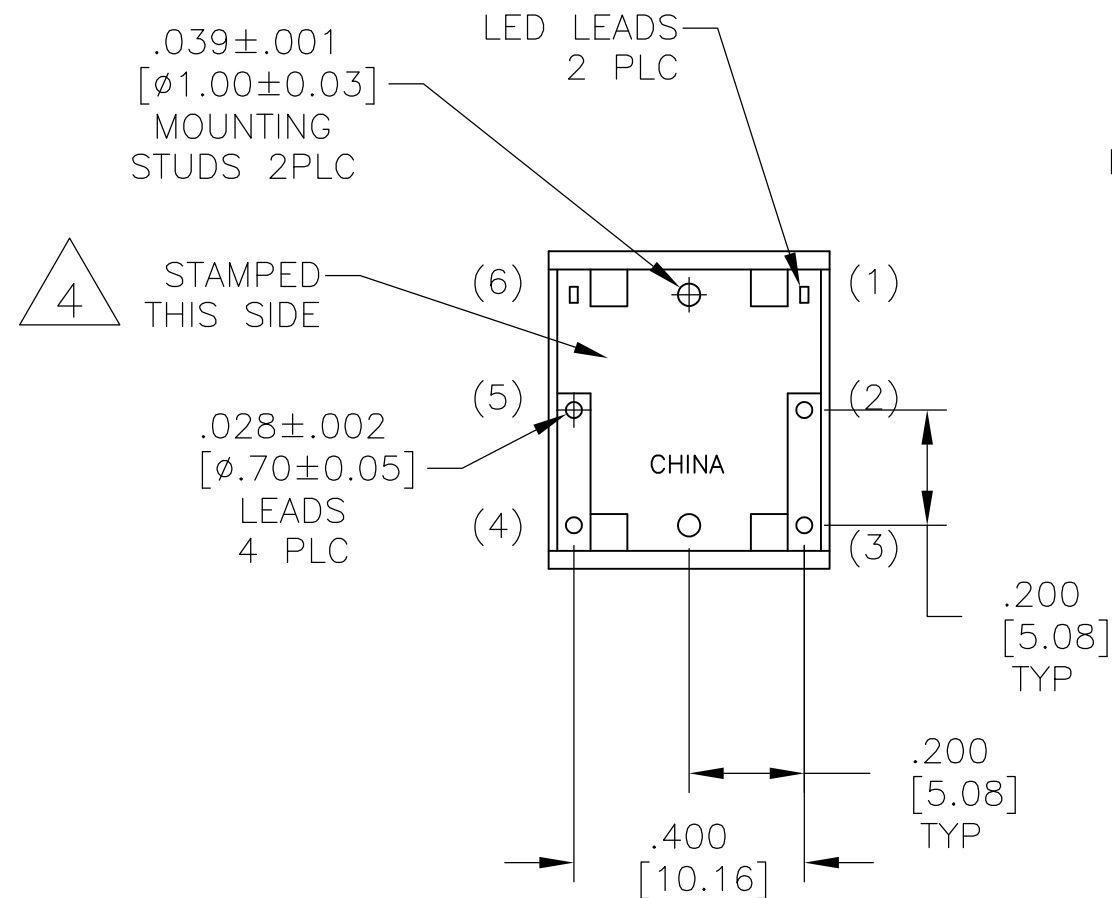


THIS DRAWING IS UNPUBLISHED. RELEASED FOR PUBLICATION
 © COPYRIGHT - BY TYCO ELECTRONICS CORPORATION. ALL RIGHTS RESERVED.

| | | | | |
|-----------|-----------|---------------------------|---------|----------|
| LOC AD | DIST - | REVISIONS | | |
| P | LTR | DESCRIPTION | DATE | DWN APVD |
| | E2 | REVISED PER ECO-10-008611 | 24APR10 | HMR NE |



SCHEMATIC

SEE SHEET 2 FOR SPECIFICATIONS

| | | | | |
|---------|-------------------|-------|-------------|-----------|
| 2 | 3 | GRAY | NO | 1571619-3 |
| 3 | | GRAY | YES | 1571619-2 |
| - | | BLACK | YES | 1571619-1 |
| REMARKS | HOUSING/CAP COLOR | LED | PART NUMBER | |

| | | | | |
|--|--|----------------------------|--|---------------|
| THIS DRAWING IS A CONTROLLED DOCUMENT. | | DWN M.BINNER 10JUL03 | Tyco Electronics Corporation Harrisburg, PA 17105 | |
| DIMENSIONS: INCHES | | CHK M.ZITTO 15JUL03 | NAME | |
| TOLERANCES UNLESS OTHERWISE SPECIFIED: | | APVD M.ZITTO 15JUL03 | PUSHBUTTON KEYSWITCH WITH LED | |
| 0 PLC ± - | | PRODUCT SPEC | SIZE | CAGE CODE |
| 1 PLC ± - | | APPLICATION SPEC | A3 | 00779 |
| 2 PLC ± - | | WEIGHT | DRAWING NO | RESTRICTED TO |
| 3 PLC ± .008 | | | C-1571619 | |
| 4 PLC ± - | | | SCALE | SHEET |
| ANGLES ± - | | | 3:1 | 1 OF 2 |
| FINISH | | | REV | E2 |
| 1 | | CUSTOMER DRAWING | | |

THIS DRAWING IS UNPUBLISHED. RELEASED FOR PUBLICATION
 © COPYRIGHT - BY TYCO ELECTRONICS CORPORATION. ALL RIGHTS RESERVED.

| | | | | | | | |
|-----|------|-----------|-----|-------------|------|-----|------|
| LOC | DIST | REVISIONS | | | | | |
| AD | 00 | P | LTR | DESCRIPTION | DATE | DWN | APVD |
| | | | | SEE SHEET 1 | - | - | - |

| Test Description | Requirement | Procedure |
|--|--|--|
| Rating | 10MA @ 10VDC Max | |
| Circuit type | SPST momentary | |
| Travel | .031(.80) | |
| Pretravel | .016 (.40) | |
| Operating force | 130 +/- 30 grams | |
| Termination resistance | 75 milliohms max | EIA 364-23B |
| Insulation resistance | 100 megohms min | EIA 364-21C |
| Dielectric withstanding voltage | 1,000 VAC | EIA 364-20B, Condition 1 |
| Temperature rise vs. current | 30 degrees C max. temperature rise from ambient | EIA 448, method 6. |
| Vibration | No discontinuities of 10 microseconds or greater. No physical damage | EIA 364-28D, CONDITION VII, LEVEL E, Duration 1.5 hours. |
| Mechanical shock | No discontinuities of 10 microseconds or greater. No physical damage | EIA 364-27B, condition A (50 g's) |
| Durability electrical | 100,000 cycles at rated load | EIA RS 448, Method 8 |
| Durability mechanical | 100,000 cycles | EIA RS 448, Method 9 |
| Actuator withstanding force | No physical damage | Static force of 2kf shall be applied in all operating directions for 15 Sec. |
| Actuator withstanding pull force | No physical damage | Static force of 2kf shall be applied in pulling direction for 15 sec |
| Travel | .040 +/--.01 (1.02 +/--.25) operating range | Verify operating range of .040 +/--.010 per customer drawing |
| Actuation Force | 130 +/-50 grams | Measure force to depress button and actuate switch |
| Thermal Shock | No physical damage | EIA 364-32C, test condition I except temp in step 1 shall be -25 and temp. in step 4 shall be +70 (-25C to +70C) |
| Humidity-Temperature cycling | No physical damage | EIA 364-31B, METHOD III |
| Operating temperature (Low temperature) | 100,000 cycles | EIA 448, Method 10, 100,000 cycles at -25C |
| Operating temperature (high temperature) | 100,000 cycles | EIA 448, Method 10, 100,000 cycles at +70C |
| Termination solderability | Pass/fail per EIA 364-52 (95% min coverage) | EIA 364-52, Class 2, Category 1. |
| Resistance to solder heat (Thru hole) | No physical damage | EIA 364-56A, procedure 3, Test condition B except immersion duration to be 15 +/-1 seconds |



MATERIALS & FINISHES

HOUSING & COVER: POLYAMIDE 6/6, 15% GLASS FILLED, UL94 HB COLOR- SEE TABLE
 CAP: ABS UL94 HB, COLOR- SEE TABLE
 LED: RED
 CONTACT PLATE: STAINLESS STEEL, 20μ" SILVER OVER 20μ" NICKEL
 TERMINALS: 20μ" SILVER OVER 20μ" NICKEL



NO L.E.D. HOLE IN THE HOUSING.



MANUFACTURED WITH CAP NOT ASSEMBLED TO THE HOUSING.



COUNTRY OF ORIGIN AND TE LOGO LOCATED APPROXIMATELY AS SHOWN

| | | | | | |
|--|--------|------------------|----------|-------------------------------|--|
| THIS DRAWING IS A CONTROLLED DOCUMENT. | | DWN | M.BINNER | 10JUL03 | Tyco Electronics Corporation Harrisburg, PA 17105 |
| DIMENSIONS: INCHES | | CHK | M.ZITTO | 15JUL03 | |
| | | APVD | M.ZITTO | 15JUL03 | |
| TOLERANCES UNLESS OTHERWISE SPECIFIED: | | PRODUCT SPEC | | NAME | |
| 0 PLC ± - 1 PLC ± - 2 PLC ± - 3 PLC ± .008 4 PLC ± - ANGLES ± - | | APPLICATION SPEC | | PUSHBUTTON KEYSWITCH WITH LED | |
| MATERIAL | FINISH | WEIGHT | SIZE | | RESTRICTED TO |
| 1 | 1 | - | A3 | CAGE CODE 00779 | DRAWING NO G-1571619 |
| CUSTOMER DRAWING | | | SCALE | SHEET | REV |
| | | | 3:1 | 2 OF 2 | E2 |

Mouser Electronics

Authorized Distributor

Click to View Pricing, Inventory, Delivery & Lifecycle Information:

[TE Connectivity:](#)

[1571619-3](#)