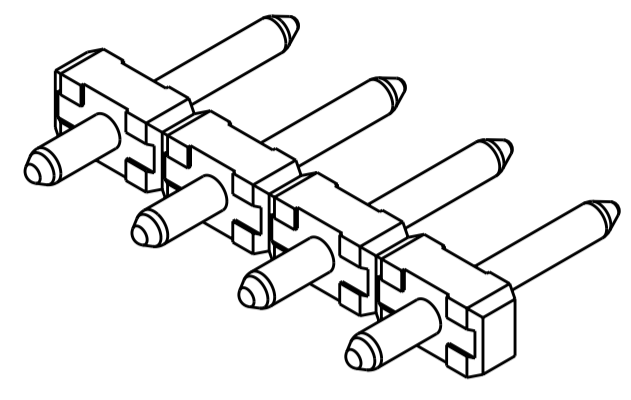
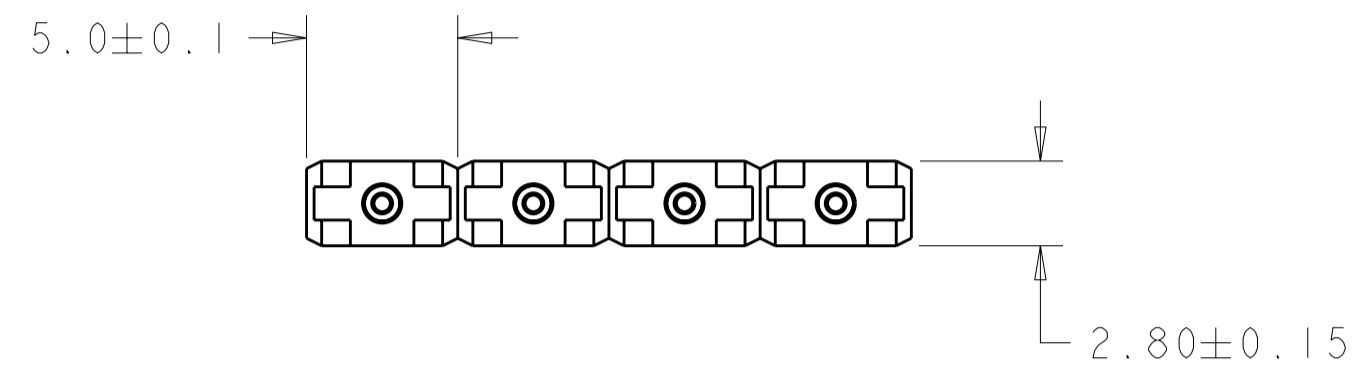
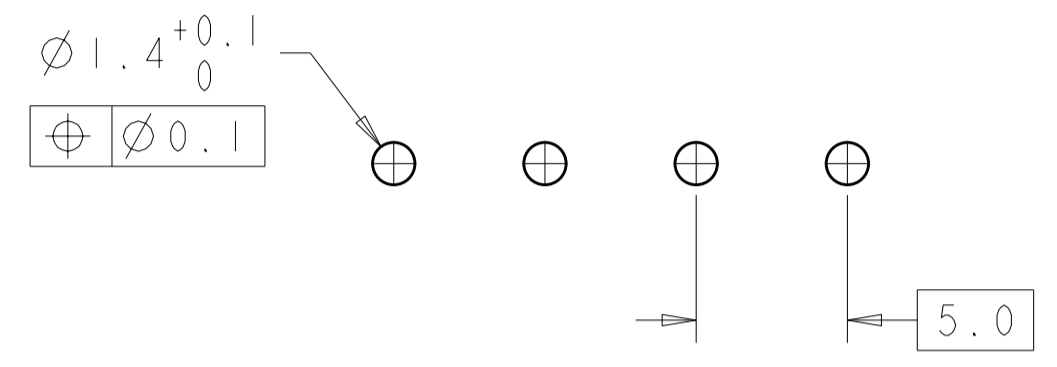


THIS DRAWING IS UNPUBLISHED. RELEASED FOR PUBLICATION 20
 © COPYRIGHT 20 Tyco Electronics AMP GmbH ALL RIGHTS RESERVED.

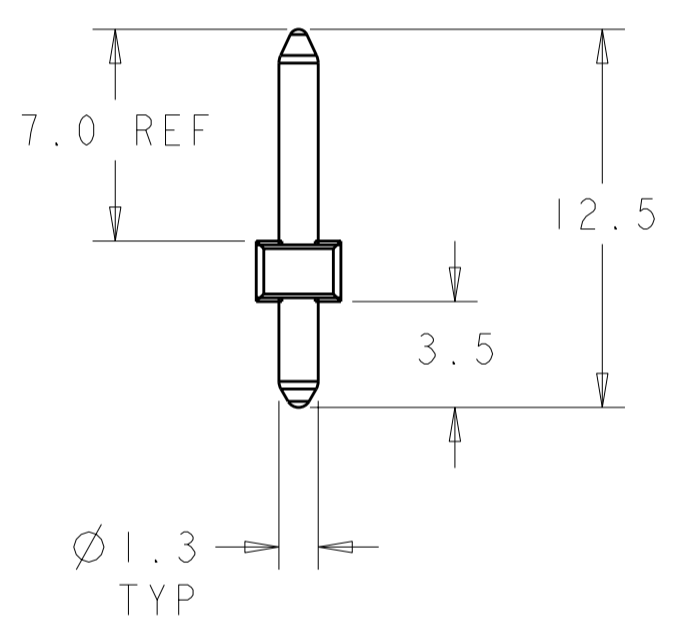
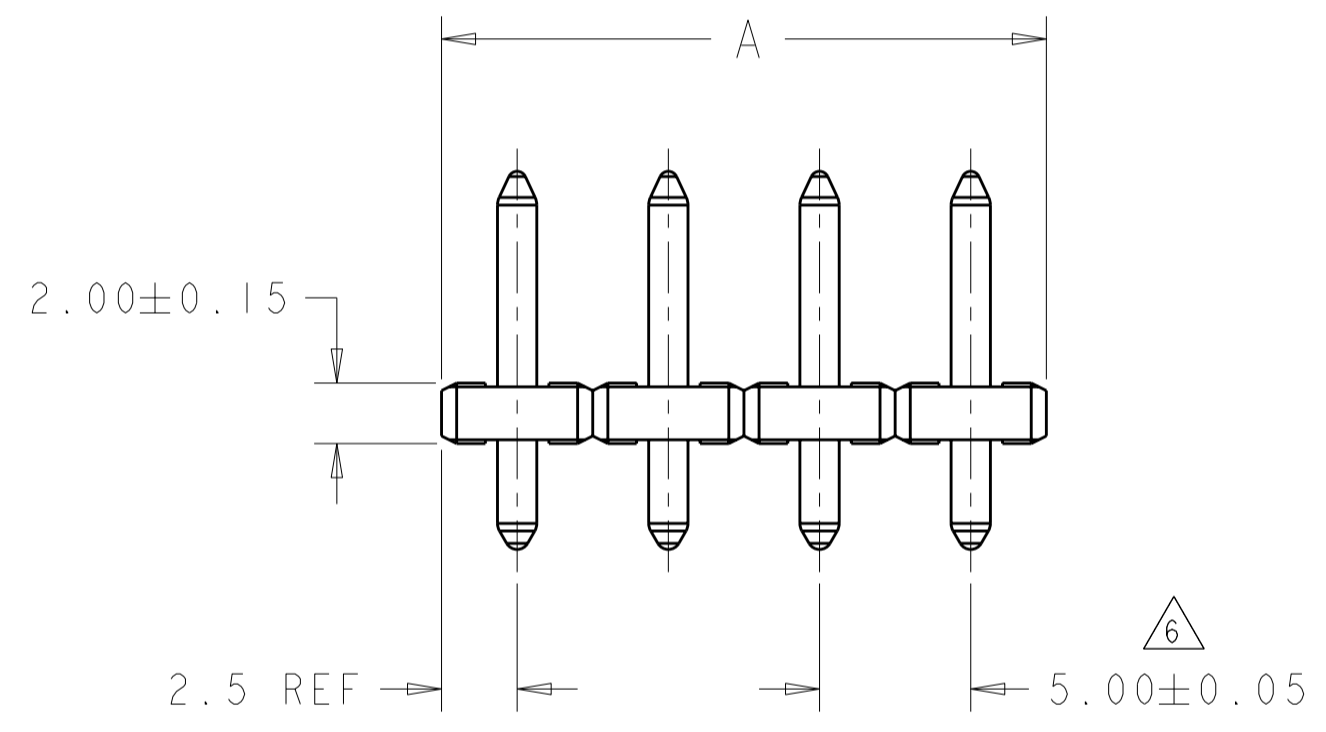
LOC	DIST	REVISIONS			
P	LTR	DESCRIPTION	DATE	DWN	APVD
FT	0	AI	REVISED PER ECO-12-007964	02MAY2012	KH MS



1546214-4 AS SHOWN



RECOMMENDED PC BOARD LAYOUT



125	25	2-1546214-5
120	24	2-1546214-4
115	23	2-1546214-3
110	22	2-1546214-2
105	21	2-1546214-1
100	20	2-1546214-0
95	19	1-1546214-9
90	18	1-1546214-8
85	17	1-1546214-7
80	16	1-1546214-6
75	15	1-1546214-5
70	14	1-1546214-4
65	13	1-1546214-3
60	12	1-1546214-2
55	11	1-1546214-1
50	10	1-1546214-0
45	9	1546214-9
40	8	1546214-8
35	7	1546214-7
30	6	1546214-6
25	5	1546214-5
20	4	1546214-4
15	3	1546214-3
10	2	1546214-2
A	NO OF POSN	PART NUMBER

1. MATERIALS AND FINISH:
 HOUSING: PA 6-6, UL 94-V0, COLOR: GRAY.
 TERMINAL: COPPER ALLOY, TIN PLATED.
2. SUITABLE FOR 1,6-2,4mm PC BOARD THICKNESS.
3. END-TO-END STACKABLE WITHOUT LOSS OF CENTERLINE SPACING.
4. RECOGNIZED UNDER THE COMPONENT PROGRAM OF UNDERWRITERS LABORATORIES INC. FILE N° E60677.
5. IMQ CERTIFICATE WITH SURVEILLANCE IN CONFORMITY WITH IEC 998-1/998-2-1.
6. NOT CUMULATIVE TOLERANCE.

THIS DRAWING IS A CONTROLLED DOCUMENT.		DWN S.WELDON 27FEB2004	TE Connectivity	
DIMENSIONS: mm		CHK C.RICHARD 27FEB2004		
TOLERANCES UNLESS OTHERWISE SPECIFIED:		APVD C.RICHARD 27FEB2004	NAME: TERMINAL BLOCK, PIN HEADER, UNSHROUDED, 5.0mm PITCH	
0 PLC ±-		PRODUCT SPEC 108-20166	SIZE: A2	
1 PLC ±.3		APPLICATION SPEC 114-20079	CAGE CODE: 00779	
2 PLC ±.25		WEIGHT: -	DRAWING NO: 1546214	
3 PLC ±-		RESTRICTED TO: -		
4 PLC ±-		CUSTOMER DRAWING		
ANGLES ±2		SCALE: 4:1		
FINISH		SHEET 1 OF 1		
-		REV: AI		

Mouser Electronics

Authorized Distributor

Click to View Pricing, Inventory, Delivery & Lifecycle Information:

[TE Connectivity:](#)

[1-1546214-4](#)