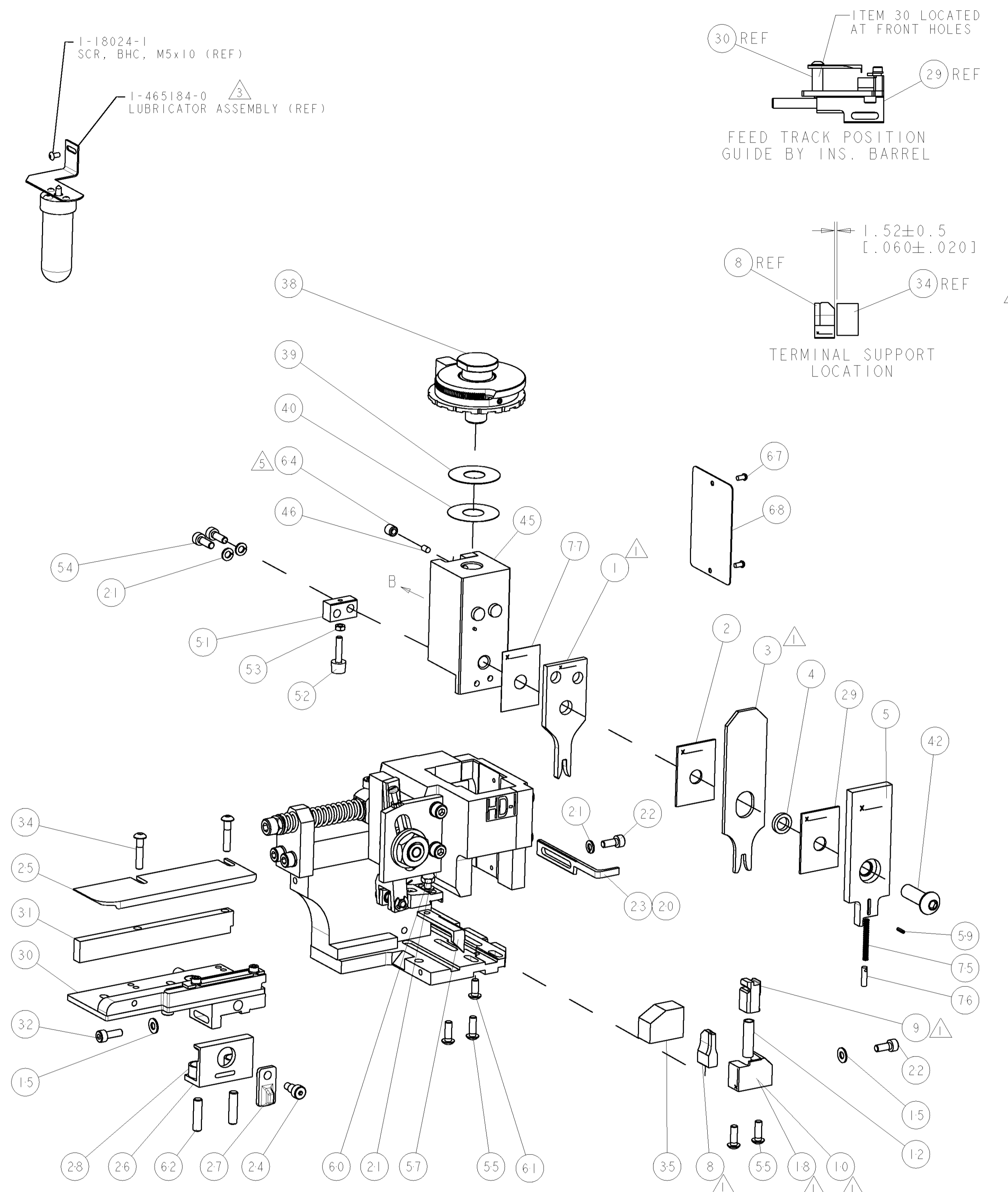
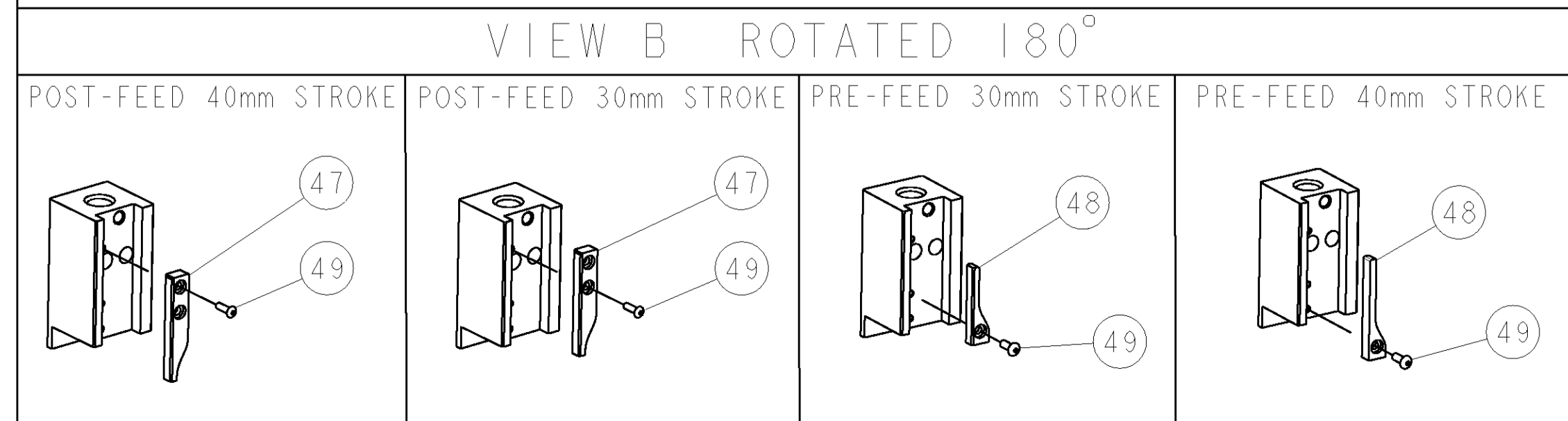


PART NUMBER	REV	TERMINATOR	FEED TYPE	DESCRIPTION
1530060-1	A	LEADMAKER	MECH POST FEED	CUTS CARRIER
1530060-2	A	BENCH	MECH PRE FEED	CUTS CARRIER
1530060-6	A	LEADMAKER	MECH POST FEED	CONTINUOUS CARRIER
7-1530060-1	A	LEADMAKER	MECH POST FEED	-1 AND SPARE PARTS
7-1530060-2	A	BENCH	MECH PRE FEED	-2 AND SPARE PARTS
7-1530060-6	A	LEADMAKER	MECH POST FEED	-6 AND SPARE PARTS
7-1530060-7	A	-	-	SPARE PARTS KIT

CRIMP DATA		LEAR TERMINAL		TE CRIMP SPECS	
TERMINAL NAME: RECEPTACLE TERMINAL					
CRIMP	SIZE	TYPE	RANGE		
WIRE	2.79 [1.110 IN]	F	16-14 AWG		
INSUL	3.05 [1.20 IN]	F	Ø3.05mm MAX [Ø.120 MAX]		
WIRE STRIP LENGTH		APPL INSTRUCTIONS			
4.75-5.13 [1.87-.202 IN]		408-8322 & 408-8490			
TERMINAL APPL SPEC		NONE		FEED 18.67 [0.735 IN]	
TERMINALS APPLIED					
TE PN	MNF PN				
1949009-1	771416-HK200				
1949009-2	771416-FK200				
WIRE SIZE		CRIMP HEIGHT	REF SETTING		
14AWG		2.11 ±0.05 [0.083 ±.002 IN]	C1		
16AWG		1.88 ±0.05 [0.074 ±.002 IN]	D8		

- RECOMMENDED SPARE PARTS.
- GREASE RAM, CAM, CAM FOLLOWER AND FEED ROD LIGHTLY.
- CERTAIN TERMINALS REQUIRE LUBRICATION. REFER TO THE APPLICATOR INSTRUCTION SHEET FOR MORE INFORMATION.
- LUBRICATE DAILY PER THE APPLICATOR INSTRUCTION SHEET SUPPLIED WITH THE APPLICATOR.

**\* WARNING**  
ON INSTALLATION, SET WIRE DISC TO LARGEST WIRE SIZE SETTING. USE OF SETTINGS BELOW MIN. REQUIRED CRIMP HEIGHT SETTING WILL CAUSE DAMAGE TO CRIMP TOOLING.



SET UP GAGE 458637-3		LOC	DIST	REVISIONS			
A	66			REV	DATE	BY	CHK
				1	DEVELOPMENT	21JAN2009	K.H. S.X
				A	RELEASED	20MAR2009	BH BH

REV	DATE	DESCRIPTION	ITEM NO						
-	-	-	73						
-	-	-	72						
-	-	-	71						
-	-	-	70						
-	-	-	69						
-	-	-	68						
-	-	-	67						
-	-	-	66						
-	-	-	65						
-	-	-	64						
-	-	-	63						
-	-	-	62						
-	-	-	61						
-	-	-	60						
-	-	-	59						
-	-	-	58						
-	-	-	57						
-	-	-	56						
-	-	-	55						
-	-	-	54						
-	-	-	53						
-	-	-	52						
-	-	-	51						
-	-	-	50						
-	-	-	49						
-	-	-	48						
-	-	-	47						
-	-	-	46						
-	-	-	45						
-	-	-	44						
-	-	-	43						
-	-	-	42						
-	-	-	41						
-	-	-	40						
-	-	-	39						
-	-	-	38						
-	-	-	37						
-	-	-	36						
-	-	-	35						
-	-	-	34						
-	-	-	33						
-	-	-	32						
-	-	-	31						
-	-	-	30						
-	-	-	29						
-	-	-	28						
-	-	-	27						
-	-	-	26						
-	-	-	25						
-	-	-	24						
-	-	-	23						
-	-	-	22						
-	-	-	21						
-	-	-	20						
-	-	-	19						
-	-	-	18						
-	-	-	17						
-	-	-	16						
-	-	-	15						
-	-	-	14						
-	-	-	13						
-	-	-	12						
-	-	-	11						
-	-	-	10						
-	-	-	9						
-	-	-	8						
-	-	-	7						
-	-	-	6						
-	-	-	5						
-	-	-	4						
-	-	-	3						
-	-	-	2						
-	-	-	1						
REV	DATE	DESCRIPTION	ITEM NO						
-77	-76	-72	-71	-6	-2	-1	PART NO	DESCRIPTION	ITEM NO
-	-	-	-	-	-	-	45888-1	SPACER, CRIMPER	77
-	-	-	-	-	-	-	854769-4	HOLDER, INS	76
-	-	-	-	-	-	-	1-22278-0	SPRING, COMPRESSION	75
-	-	-	-	-	-	-	-	-	74

DIMENSIONS: mm [IN]		TOLERANCES UNLESS OTHERWISE SPECIFIED:	
9 PLC	±	3 PLC	±
1 PLC	±	4 PLC	±
2 PLC	±	5 PLC	±
3 PLC	±	6 PLC	±
4 PLC	±	7 PLC	±
5 PLC	±	8 PLC	±
6 PLC	±	9 PLC	±
7 PLC	±	10 PLC	±
8 PLC	±	11 PLC	±
9 PLC	±	12 PLC	±
10 PLC	±	13 PLC	±
11 PLC	±	14 PLC	±
12 PLC	±	15 PLC	±
13 PLC	±	16 PLC	±
14 PLC	±	17 PLC	±
15 PLC	±	18 PLC	±
16 PLC	±	19 PLC	±
17 PLC	±	20 PLC	±
18 PLC	±	21 PLC	±
19 PLC	±	22 PLC	±
20 PLC	±	23 PLC	±
21 PLC	±	24 PLC	±
22 PLC	±	25 PLC	±
23 PLC	±	26 PLC	±
24 PLC	±	27 PLC	±
25 PLC	±	28 PLC	±
26 PLC	±	29 PLC	±
27 PLC	±	30 PLC	±
28 PLC	±	31 PLC	±
29 PLC	±	32 PLC	±
30 PLC	±	33 PLC	±
31 PLC	±	34 PLC	±
32 PLC	±	35 PLC	±
33 PLC	±	36 PLC	±
34 PLC	±	37 PLC	±
35 PLC	±	38 PLC	±
36 PLC	±	39 PLC	±
37 PLC	±	40 PLC	±
38 PLC	±	41 PLC	±
39 PLC	±	42 PLC	±
40 PLC	±	43 PLC	±
41 PLC	±	44 PLC	±
42 PLC	±	45 PLC	±
43 PLC	±	46 PLC	±
44 PLC	±	47 PLC	±
45 PLC	±	48 PLC	±
46 PLC	±	49 PLC	±
47 PLC	±	50 PLC	±
48 PLC	±	51 PLC	±
49 PLC	±	52 PLC	±
50 PLC	±	53 PLC	±
51 PLC	±	54 PLC	±
52 PLC	±	55 PLC	±
53 PLC	±	56 PLC	±
54 PLC	±	57 PLC	±
55 PLC	±	58 PLC	±
56 PLC	±	59 PLC	±
57 PLC	±	60 PLC	±
58 PLC	±	61 PLC	±
59 PLC	±	62 PLC	±
60 PLC	±	63 PLC	±
61 PLC	±	64 PLC	±
62 PLC	±	65 PLC	±
63 PLC	±	66 PLC	±
64 PLC	±	67 PLC	±
65 PLC	±	68 PLC	±
66 PLC	±	69 PLC	±
67 PLC	±	70 PLC	±
68 PLC	±	71 PLC	±
69 PLC	±	72 PLC	±
70 PLC	±	73 PLC	±

# Mouser Electronics

Authorized Distributor

Click to View Pricing, Inventory, Delivery & Lifecycle Information:

[TE Connectivity:](#)

[1530060-6](#)