

4

3

2

1

THIS DRAWING IS UNPUBLISHED.

RELEASED FOR PUBLICATION

© COPYRIGHT

ALL RIGHTS RESERVED.

LOC DIST


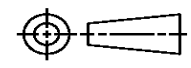
REVISIONS

P	LTR	DESCRIPTION	DATE	DWN	APVD

REPLACED BY OCEAN STYLE APPLICATOR PART NUMBER

FOR REPLACEMENT PARTS FOR APPLICATOR REFER TO ADDITIONAL PAGE(S). SPARE PARTS KIT (IF LISTED) WILL REMAIN AVAILABLE.

THE REPLACEMENT OCEAN STYLE APPLICATOR HAS THE SAME TERMINATOR/PRESS INTERFACE AS APPLICATOR

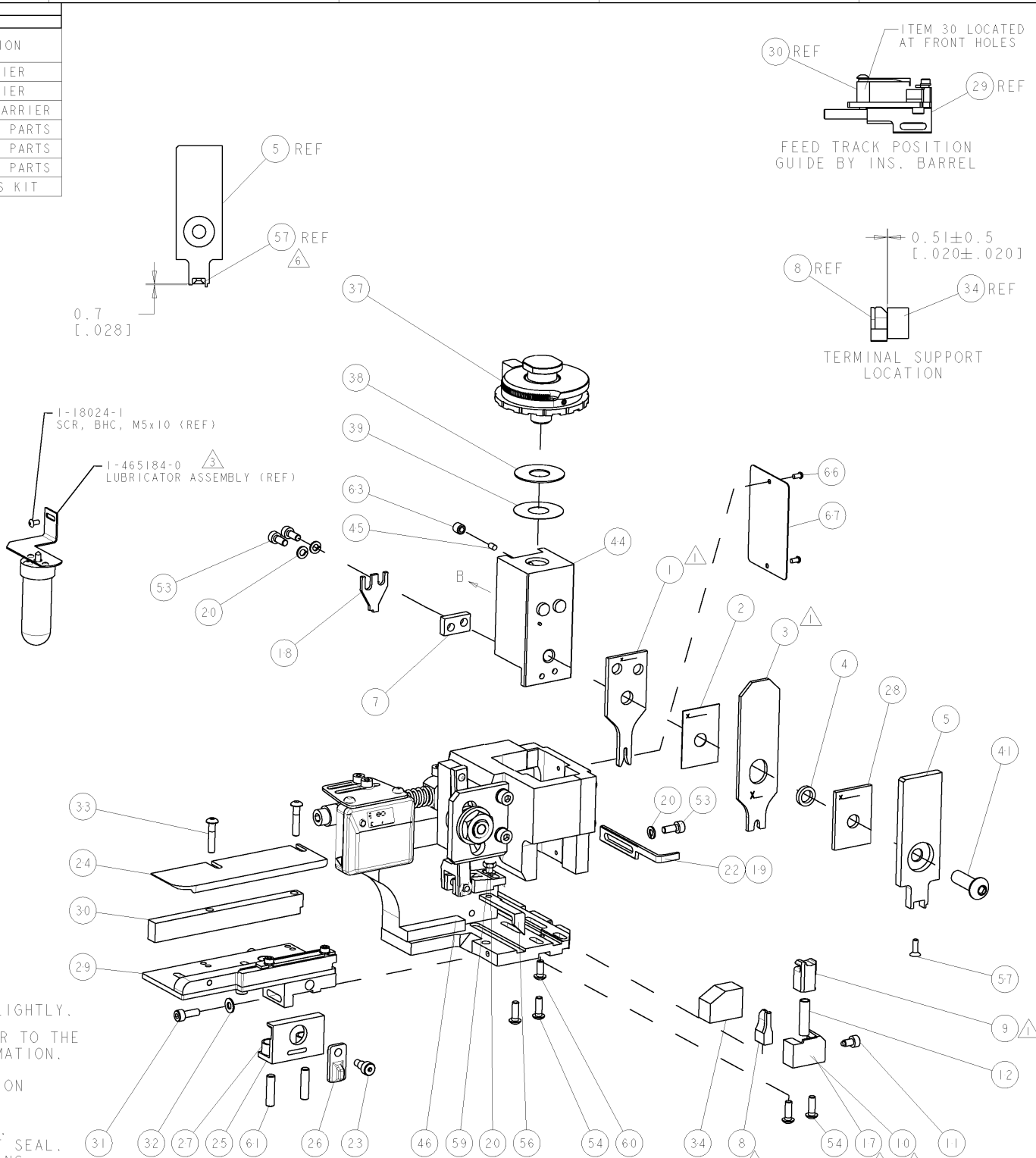
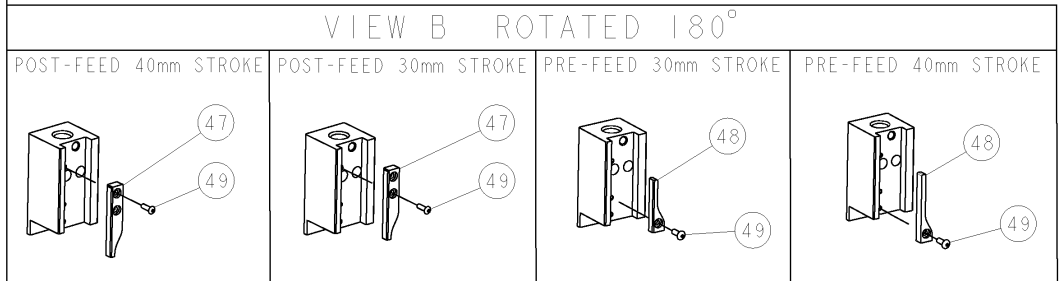
THIS DRAWING IS A CONTROLLED DOCUMENT.		DWN	 TE Connectivity		
DIMENSIONS:		CHK			
TOLERANCES UNLESS OTHERWISE SPECIFIED:		APVD	NAME		
		PRODUCT SPEC	RESTRICTED TO		
		APPLICATION SPEC	SIZE	CAGE CODE	DRAWING NO
MATERIAL	FINISH	WEIGHT	A3	C-	
		SCALE	SHEET	OF	REV

PART NUMBER	REV	TERMINATOR	FEED TYPE	DESCRIPTION
1528750-1	A	LEADMAKER	MECH POST FEED	CUTS CARRIER
1528750-2	A	BENCH	MECH PRE FEED	CUTS CARRIER
1528750-6	A	LEADMAKER	MECH POST FEED	CONTINUOUS CARRIER
7-1528750-1	A	LEADMAKER	MECH POST FEED	-1 AND SPARE PARTS
7-1528750-2	A	BENCH	MECH PRE FEED	-2 AND SPARE PARTS
7-1528750-6	A	LEADMAKER	MECH POST FEED	-6 AND SPARE PARTS
7-1528750-7	A	-	-	SPARE PARTS KIT

CRIMP DATA		TYCO TERMINAL		TYCO CRIMP SPECS	
TERMINAL NAME: CRIMP CONTACT ELO					
CRIMP	SIZE	TYPE	RANGE		
WIRE	1.40 [.055 IN]	F	0.35mm ² -0.50mm ²		
INSUL	3.05 [.120 IN]	O	2.60 [.102 IN]		
WIRE STRIP LENGTH		APPL INSTRUCTIONS			
3.70-3.90 [.146-.154 IN]		408-8322 & 408-8490			
TERMINAL		114-18432		FEED	
APPL SPEC		-		10.16 [.400 IN]	
TERMINALS APPLIED					
TERM PN	-	SEAL PN	-		
1411554	-	1393457-1	-		
1411556	-	1393457-2	-		
1411572	-	-	-		
1411578	-	-	-		
WIRE SIZE	CRIMP HEIGHT	REF SETTING			
0.50mm ²	1.00 ± 0.03 [.039 ± .001 IN]	B3			
0.35mm ²	0.92 ± 0.03 [.036 ± .001 IN]	B9			

- RECOMMENDED SPARE PARTS.
- GREASE RAM, CAM, CAM FOLLOWER AND FEED ROD LIGHTLY.
- CERTAIN TERMINALS REQUIRE LUBRICATION. REFER TO THE APPLICATOR INSTRUCTION SHEET FOR MORE INFORMATION.
- LUBRICATE DAILY PER THE APPLICATOR INSTRUCTION SHEET SUPPLIED WITH THE APPLICATOR.
- THIS APPLICATOR APPLIES TERMINAL WITH A SEAL. INSULATION DIA QUOTED IS OUTSIDE DIAMETER OF SEAL. WIRE INSULATION DIA IS DEPENDENT ON SEAL BEING APPLIED. SEE CUSTOMER DRAWINGS FOR SEAL INSULATION RANGES AND FOR TERMINAL TO SEAL COMPATIBILITY.
- APPLY TORQ-SEAL IN ALLEN SOCKET TO FILL HOLE AFTER FLAT HD HAS BEEN ADJUSTED TO CORRECT HEIGHT AT QUALIFICATION. APPLY #1-23419-5 LOC-TITE TO THREADS.

*** WARNING**
ON INSTALLATION, SET WIRE DISC TO LARGEST WIRE SIZE SETTING. USE OF SETTINGS BELOW MIN. REQUIRED CRIMP HEIGHT SETTING WILL CAUSE DAMAGE TO CRIMP TOOLING.



SET UP GAGE
458637-3

LOC		DIST		REVISIONS			
REV	DATE	DESCRIPTION	DATE	BY	APPV	REV	DATE
A	12FEB2007	SEE ECO-07-003391		DP	MC		

-	-	-	-	-	-	-	-	73	
-	-	-	-	-	-	-	-	72	
-	1	1	1	1	1	1	1338705-3	DOCUMENTATION PACKAGE	71
-	-	-	-	-	-	-	-	-	70
-	-	-	-	-	-	-	-	-	69
-	-	-	-	-	-	-	-	-	68
-	1	1	1	1	1	1	461264-5	PLATE, IDENTIFICATION	67
-	2	2	2	2	2	2	21017-2	SCREW, DRIVE	66
-	-	-	-	-	-	-	-	-	65
-	-	-	-	-	-	-	-	-	64
-	1	1	1	1	1	1	3-18031-0	SCR, SET, CUP POINT M6 X 6.0	63
-	-	-	-	-	-	-	-	-	62
-	2	2	2	2	2	2	2-18032-5	SCR, SET, FLT POINT M5 X 20.0	61
-	1	1	1	1	1	1	18024-7	SCR, BTN SKT HD CAP (M4 X 10.0)	60
-	1	1	1	1	1	1	5-18022-2	SCR, HEX HD CAP M4 X 8.0	59
-	-	-	-	-	-	-	-	-	58
-	1	1	1	1	1	1	985575-3	SCR, FLT SKT HD CAP M3 X 10.0	57
-	1	1	1	1	1	1	1338685-1	PAWL, FEED	56
-	-	-	-	-	-	-	-	-	55
-	4	4	4	4	4	4	18024-8	SCR, BTN SKT HD CAP (M4 X 12.0)	54
-	2	2	2	2	2	2	1-18023-1	SCR, SKT HD CAP M4 X 10.0	53
-	-	-	-	-	-	-	-	-	52
-	-	-	-	-	-	-	-	-	51
-	-	-	-	-	-	-	-	-	50
-	1	1	1	1	1	1	18024-3	SCR, BTN SKT HD CAP (M3 X 10.0)	49
-	-	-	-	-	-	-	1338675-1	CAM, UNIVERSAL PRE FEED	48
-	1	-	1	1	-	1	1338676-1	CAM, UNIVERSAL POST-FEED	47
-	1	1	1	1	1	1	1320999-3	APPLICATOR SUBASSEMBLY, HDI	46
-	1	1	1	1	1	1	690191-1	PLUG, NYLON	45
-	1	1	1	1	1	1	1338660-1	RAM	44
-	-	-	-	-	-	-	-	-	43
-	-	-	-	-	-	-	-	-	42
-	1	1	1	1	1	1	2-18024-6	SCR, BTN SKT HD CAP (M8 X 25.0)	41
-	-	-	-	-	-	-	-	-	40
-	1	1	1	1	1	1	690125-1	SHIM SUB-ASSY	39
-	1	1	1	1	1	1	469367-8	SHIM	38
-	1	1	1	1	1	1	879103-3	FINE ADJUST HEAD ASSEMBLY	37
-	-	-	-	-	-	-	-	-	36
-	-	-	-	-	-	-	-	-	35
-	1	1	1	1	1	1	1320934-6	SUPPORT, TERMINAL	34
-	2	2	2	2	2	2	1-18024-0	SCR, BTN SKT HD CAP (M4 X 20.0)	33
-	1	1	1	1	1	1	18027-2	WASHER, FLAT, REG M4	32
-	1	1	1	1	1	1	1-18023-2	SCR, SKT HD CAP M4 X 12.0	31
-	1	1	1	1	1	1	1320908-1	SPACER, STRIP GUIDE	30
-	1	1	1	1	1	1	1633073-1	STRIP GUIDE ASSEMBLY	29
-	1	1	1	1	1	1	2-455888-4	SPACER, CRIMPER	28
-	2	2	2	2	2	2	1-22284-0	SPRING, COMPRESSION	27
-	1	1	1	1	1	1	356835-1	LEVER, DRAG RELEASE	26
-	1	1	1	1	1	1	240792-1	DRAG, TERMINAL	25
-	1	1	1	1	1	1	1320928-1	PLATE, STRIP GUIDE	24
-	1	1	1	1	1	1	980371-4	SCR, SKT HD SHLDR 5.0 DIA X 6.0	23
-	1	1	1	1	1	1	690472-2	STRIPPER	22
-	1	1	1	1	1	1	1-18023-1	SCR, SKT HD CAP M4 X 10.0	21
-	4	4	4	4	4	4	18025-2	WASHER, SPRG LOCK, REG M4	20
-	-	-	-	-	-	-	690472-1	STRIPPER	19
-	1	1	1	1	1	1	879657-2	HOLD DOWN	18
-	1	-	-	-	-	-	1338684-2	SHEAR HOLDER, FRONT	17
-	-	-	-	-	-	-	-	-	16
-	-	-	-	-	-	-	-	-	15
-	-	-	-	-	-	-	-	-	14
-	-	-	-	-	-	-	-	-	13
-	1	1	1	1	1	1	3-22280-3	SPRING, COMPRESSION	12
-	1	1	1	1	1	1	356885-5	STOP, SHEAR	11
-	-	-	-	-	-	-	1-1320921-0	SHEAR HOLDER, FRONT, CUT	10
-	1	1	1	1	1	1	318707-3	FLOATING SHEAR, FRONT	9
-	1	2	2	2	1	1	5-1333201-4	ANVIL, COMBINATION	8
-	1	1	1	1	1	1	5-240641-0	SPACER	7
-	-	-	-	-	-	-	-	-	6
-	1	1	1	1	1	1	1338680-2	DEPRESSOR, SHEAR	5
-	1	1	1	1	1	1	238011-4	BLOCK, CRIMPER SPACER	4
-	1	1	1	1	1	1	1-562244-8	CRIMPER, INSULATION	3
-	1	1	1	1	1	1	455888-4	SPACER, CRIMPER	2
-	1	2	2	2	1	1	1-456402-4	CRIMPER, WIRE PREMIUM	1

-	-	-	-	-	-	-	-	84	
-	-	-	-	-	-	-	-	83	
-	-	-	-	-	-	-	-	82	
-	-	-	-	-	-	-	-	81	
-	-	-	-	-	-	-	-	80	
-	-	-	-	-	-	-	-	79	
-	-	-	-	-	-	-	-	78	
-	-	-	-	-	-	-	-	77	
-	-	-	-	-	-	-	-	76	
-	-	-	-	-	-	-	-	75	
-	-	-	-	-	-	-	-	74	
-77	-76	-72	-71	-6	-2	-1	PART NO	DESCRIPTION	ITEM NO

TYCO ELECTRONICS CORPORATION, HARRISBURG, PA 17105-3608

APPROVED: M. CLIFFORD, 10 JAN 2007

NAME: FINE ADJUST SIDE FEED HDI APPLICATOR

SIZE: CARE CODE: DRAWING NO: 00779 C-1528750

SCALE: 3:5 SHEET 1 OF 1 REV A

Mouser Electronics

Authorized Distributor

Click to View Pricing, Inventory, Delivery & Lifecycle Information:

[TE Connectivity:](#)

[1528750-1](#)