

4

3

2

1


THIS DRAWING IS UNPUBLISHED. RELEASED FOR PUBLICATION
© COPYRIGHT ALL RIGHTS RESERVED.

LOC	DIST	REVISIONS			
P	LTR	DESCRIPTION	DATE	DWN	APVD
	A1	ECR-14-001597	30JAN2014	GK	HMR

REPLACED BY OCEAN STYLE APPLICATOR PART NUMBER 2151480-1

FOR REPLACEMENT PARTS FOR APPLICATOR 1528511 REFER TO ADDITIONAL PAGE(S). SPARE PARTS KIT (IF LISTED) WILL REMAIN AVAILABLE.

THE REPLACEMENT OCEAN STYLE APPLICATOR HAS THE SAME TERMINATOR/PRESS INTERFACE AS APPLICATOR 1528511

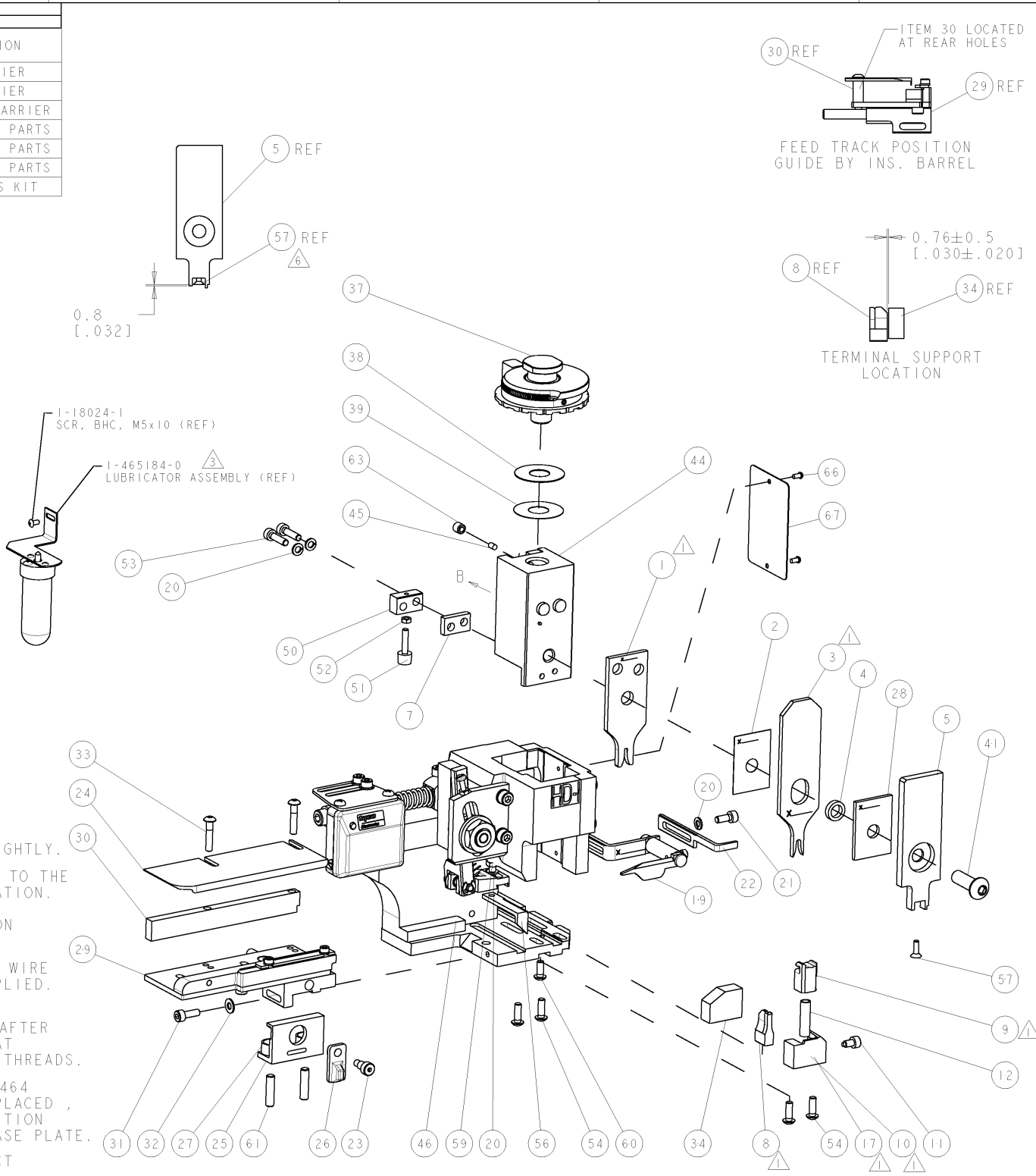
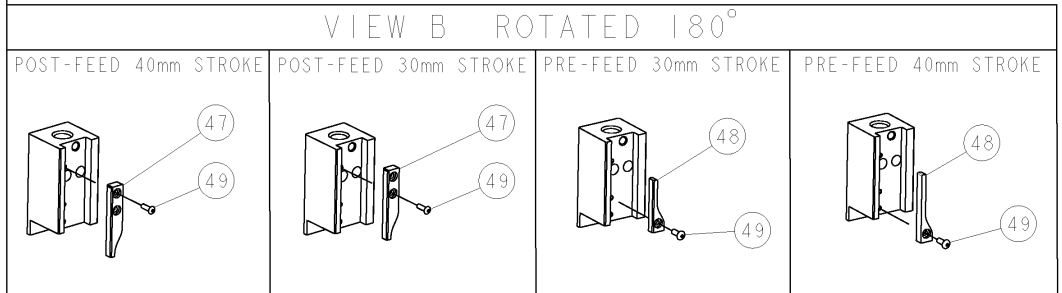
THIS DRAWING IS A CONTROLLED DOCUMENT.		DWN	GOPALAKRISHNA HV														
DIMENSIONS:		CHK	RAGHAVENDRA														
TOLERANCES UNLESS OTHERWISE SPECIFIED:		APVD	RAGHAVENDRA														
<table border="0"> <tr><td>0 PLC</td><td>±</td></tr> <tr><td>1 PLC</td><td>±</td></tr> <tr><td>2 PLC</td><td>±</td></tr> <tr><td>3 PLC</td><td>±</td></tr> <tr><td>4 PLC</td><td>±</td></tr> <tr><td>ANGLES</td><td>±</td></tr> </table>		0 PLC	±	1 PLC	±	2 PLC	±	3 PLC	±	4 PLC	±	ANGLES	±	PRODUCT SPEC	 TE Connectivity NAME FINE ADJUST SIDE FEED HD-I APPLICATOR		
0 PLC	±																
1 PLC	±																
2 PLC	±																
3 PLC	±																
4 PLC	±																
ANGLES	±																
MATERIAL		APPLICATION SPEC															
FINISH		WEIGHT	SIZE	CAGE CODE	DRAWING NO	RESTRICTED TO											
			A3		©- 1528511												
		CUSTOMER DRAWING	SCALE	SHEET 1 OF 2	REV A1												

PART NUMBER	REV	TERMINATOR	FEED TYPE	DESCRIPTION
1528511-1	A	LEADMAKER	MECH POST FEED	CUTS CARRIER
1528511-2	A	BENCH	MECH PRE FEED	CUTS CARRIER
1528511-6	A	LEADMAKER	MECH POST FEED	CONTINUOUS CARRIER
7-1528511-1	A	LEADMAKER	MECH POST FEED	-1 AND SPARE PARTS
7-1528511-2	A	BENCH	MECH PRE FEED	-2 AND SPARE PARTS
7-1528511-6	A	LEADMAKER	MECH POST FEED	-6 AND SPARE PARTS
7-1528511-7	A	-	-	SPARE PARTS KIT

CRIMP DATA		TE TERMINAL		TE CRIMP SPECS	
TERMINAL NAME: TAB CONTACT 1.2mm FOR SWS					
CRIMP	SIZE	TYPE	RANGE		
WIRE	1.78 [0.070 IN]	F	1.00-1.50mm ² or 18-16 AWG		
INSUL	3.30 [0.130 IN]	O	1.90-2.40 [0.075-0.094 IN] ⁵		
WIRE STRIP LENGTH		APPL INSTRUCTIONS			
3.30-3.90 [0.130-.154 IN]		408-8322 & 408-8490 ⁶			
TERMINAL		114-18464		FEED	
APPL SPEC		-		8.00 [0.315 IN]	
TERMINALS APPLIED					
TERMINAL	SEAL				
1718762	967067-1				
-	-				
-	-				
-	-				
WIRE SIZE	CRIMP HEIGHT	REF SETTING			
1.50mm ²	1.31 ± 0.05 [0.052 ± 0.002 IN]	B 2			
16 AWG	1.26 ± 0.05 [0.050 ± 0.002 IN]	B 5			
1.00mm ²	1.10 ± 0.05 [0.043 ± 0.002 IN]	C 7			
18 AWG	1.05 ± 0.05 [0.041 ± 0.002 IN]	D 0			

- △ RECOMMENDED SPARE PARTS.
- GREASE RAM, CAM, CAM FOLLOWER AND FEED ROD LIGHTLY.
 - CERTAIN TERMINALS REQUIRE LUBRICATION. REFER TO THE APPLICATOR INSTRUCTION SHEET FOR MORE INFORMATION.
 - LUBRICATE DAILY PER THE APPLICATOR INSTRUCTION SHEET SUPPLIED WITH THE APPLICATOR.
 - THIS APPLICATOR APPLIES TERMINAL WITH A SEAL. WIRE INSULATION DIA IS DEPENDENT ON SEAL BEING APPLIED. REFER TO APPL. SPEC. FOR DETAILS.
 - APPLY TORQ-SEAL IN ALLEN SOCKET TO FILL HOLE AFTER FLAT HD HAS BEEN ADJUSTED TO CORRECT HEIGHT AT QUALIFICATION. APPLY #1-23419-5 LOC-TITE TO THREADS.
 - DUE TO THE DEMANDS OF APPLICATION SPEC 114-18464 IT IS IMPORTANT, IF THE ANVIL IS MOVED OR REPLACED, THAT IT IS BIASED TOWARDS THE OPERATOR'S POSITION AS FAR AS POSSIBLE WHEN RE-SECURING TO THE BASE PLATE.
 - TOOLING APPROVED BY GB GATD & TERMINAL PRODUCT ENGINEERING GERMANY.

*** WARNING**
ON INSTALLATION, SET WIRE DISC TO LARGEST WIRE SIZE SETTING. USE OF SETTINGS BELOW MIN. REQUIRED CRIMP HEIGHT SETTING WILL CAUSE DAMAGE TO CRIMP TOOLING.



SET UP GAGE
458637-3

LOC		DIST		REVISIONS			
P	REV	DATE	OWN	APPR	DESCRIPTION	DATE	OWN
A	66	20MAY2008	LJL	MC	SEE ECO-08-012401		

-	-	-	-	-	-	-	-	73
-	-	-	-	-	-	-	-	72
-	1	1	1	1	1	1338705-3	DOCUMENTATION PACKAGE	71
-	-	-	-	-	-	-	-	70
-	-	-	-	-	-	-	-	69
-	-	-	-	-	-	-	-	68
-	1	1	1	1	1	461264-5	PLATE, IDENTIFICATION	67
-	2	2	2	2	2	21017-2	SCREW, DRIVE	66
-	-	-	-	-	-	-	-	65
-	-	-	-	-	-	-	-	64
-	1	1	1	1	1	3-18031-0	SCR, SET, CUP POINT M6 X 6.0	63
-	-	-	-	-	-	-	-	62
-	2	2	2	2	2	2-18032-5	SCR, SET, FLT POINT M5 X 20.0	61
-	1	1	1	1	1	18024-7	SCR, BTN SKT HD CAP (M4 X 10.0)	60
-	1	1	1	1	1	5-18022-2	SCR, HEX HD CAP M4 X 8.0	59
-	-	-	-	-	-	-	-	58
-	1	1	1	1	1	985575-3	SCR, FLT SKT HD CAP M3 X 10.0	57
-	1	1	1	1	1	1338685-1	PAWL, FEED	56
-	-	-	-	-	-	-	-	55
-	4	4	4	4	4	18024-8	SCR, BTN SKT HD CAP (M4 X 12.0)	54
-	2	2	2	2	2	1-18023-3	SCR, SKT HD CAP M4 X 16.0	53
-	1	1	1	1	1	18030-1	NUT, HEX, REG M3	52
-	1	1	1	1	1	811242-5	BUMPER, HOLD DOWN	51
-	1	1	1	1	1	690753-2	SPACER, TONKER	50
-	1	1	1	1	1	18024-3	SCR, BTN SKT HD CAP (M3 X 10.0)	49
-	-	-	-	-	-	1338675-1	CAM, UNIVERSAL PRE FEED	48
-	1	-	1	-	1	1338676-1	CAM, UNIVERSAL POST-FEED	47
-	1	1	1	1	1	1320999-3	APPLICATOR SUBASSEMBLY, HD1	46
-	1	1	1	1	1	690191-1	PLUG, NYLON	45
-	1	1	1	1	1	1338660-1	RAM	44
-	-	-	-	-	-	-	-	43
-	-	-	-	-	-	-	-	42
-	1	1	1	1	1	2-18024-6	SCR, BTN SKT HD CAP (M8 X 25.0)	41
-	-	-	-	-	-	-	-	40
-	1	1	1	1	1	690125-1	SHIM SUB-ASSY	39
-	1	1	1	1	1	469367-9	SHIM	38
-	1	1	1	1	1	879103-2	FINE ADJUST HEAD ASSEMBLY	37
-	-	-	-	-	-	-	-	36
-	-	-	-	-	-	-	-	35
-	1	1	1	1	1	3-1320934-2	SUPPORT, TERMINAL	34
-	2	2	2	2	2	1-18024-0	SCR, BTN SKT HD CAP (M4 X 20.0)	33
-	1	1	1	1	1	18027-2	WASHER, FLAT, REG M4	32
-	1	1	1	1	1	1-18023-2	SCR, SKT HD CAP M4 X 12.0	31
-	1	1	1	1	1	1320908-8	SPACER, STRIP GUIDE	30
-	1	1	1	1	1	1633073-1	STRIP GUIDE ASSEMBLY	29
-	1	1	1	1	1	2-455888-2	SPACER, CRIMPER	28
-	2	2	2	2	2	1-22284-0	SPRING, COMPRESSION	27
-	1	1	1	1	1	356835-1	LEVER, DRAG RELEASE	26
-	1	1	1	1	1	240792-1	DRAG, TERMINAL	25
-	1	1	1	1	1	1320928-3	PLATE, STRIP GUIDE	24
-	1	1	1	1	1	980371-4	SCR, SKT HD SHLDR 5.0 DIA X 6.0	23
-	1	-	1	-	1	690472-2	STRIPPER	22
-	1	1	1	1	1	1-18023-1	SCR, SKT HD CAP M4 X 10.0	21
-	4	4	4	4	4	18025-2	WASHER, SPRG LOCK, REG M4	20
-	-	-	-	-	-	1424364-1	STRIPPER/ WIRE STOP ASSY	19
-	-	-	-	-	-	-	-	18
-	1	-	-	-	-	1338684-2	SHEAR HOLDER, FRONT	17
-	-	-	-	-	-	-	-	16
-	-	-	-	-	-	-	-	15
-	-	-	-	-	-	-	-	14
-	-	-	-	-	-	-	-	13
-	1	1	1	1	1	3-22280-3	SPRING, COMPRESSION	12
-	1	1	1	1	1	356885-5	STOP, SHEAR	11
-	-	-	-	-	-	1-1320921-0	SHEAR HOLDER, FRONT, CUT	10
-	1	1	1	1	1	318707-7	FLOATING SHEAR, FRONT	9
-	1	2	2	2	1	4-1333203-8	ANVIL, COMBINATION	8
-	1	1	1	1	1	6-240641-9	SPACER	7
-	-	-	-	-	-	-	-	6
-	1	1	1	1	1	1338680-1	DEPRESSOR, SHEAR	5
-	1	1	1	1	1	238011-2	BLOCK, CRIMPER SPACER	4
-	1	2	2	2	1	1-456135-6	CRIMPER, INSULATION 0 PREMIUM	3
-	1	1	1	1	1	455888-1	SPACER, CRIMPER	2
-	1	2	2	2	1	1633169-3	CRIMPER, WIRE, SPECIAL	1

-	-	-	-	-	-	-	-	84
-	-	-	-	-	-	-	-	83
-	-	-	-	-	-	-	-	82
-	-	-	-	-	-	-	-	81
-	-	-	-	-	-	-	-	80
-	-	-	-	-	-	-	-	79
-	-	-	-	-	-	-	-	78
-	-	-	-	-	-	-	-	77
-	-	-	-	-	-	-	-	76
-	-	-	-	-	-	-	-	75
-	-	-	-	-	-	-	-	74
-	-	-	-	-	-	-	-	73
-	-	-	-	-	-	-	-	72
-	-	-	-	-	-	-	-	71
-	-	-	-	-	-	-	-	70
-	-	-	-	-	-	-	-	69
-	-	-	-	-	-	-	-	68
-	-	-	-	-	-	-	-	67
-	-	-	-	-	-	-	-	66
-	-	-	-	-	-	-	-	65
-	-	-	-	-	-	-	-	64
-	-	-	-	-	-	-	-	63
-	-	-	-	-	-	-	-	62
-	-	-	-	-	-	-	-	61
-	-	-	-	-	-	-	-	60
-	-	-	-	-	-	-	-	59
-	-	-	-	-	-	-	-	58
-	-	-	-	-	-	-	-	57
-	-	-	-	-	-	-	-	56
-	-	-	-	-	-	-	-	55
-	-	-	-	-	-	-	-	54
-	-	-	-	-	-	-	-	53
-	-	-	-	-	-	-	-	52
-	-	-	-	-	-	-	-	51
-	-	-	-	-	-	-	-	50
-	-	-	-	-	-	-	-	49
-	-	-	-	-	-	-	-	48
-	-	-	-	-	-	-	-	47
-	-	-	-	-	-	-	-	46
-	-	-	-	-	-	-	-	45
-	-	-	-	-	-	-	-	44
-	-	-	-	-	-	-	-	43
-	-	-	-	-	-	-	-	42
-	-	-	-	-	-	-	-	41
-	-	-	-	-	-	-	-	40
-	-	-	-	-	-	-	-	39
-	-	-	-	-	-	-	-	38
-	-	-	-	-	-	-	-	37
-	-	-	-	-	-	-	-	36
-	-	-	-	-	-	-	-	35
-	-	-	-	-	-	-	-	34
-	-	-	-	-	-	-	-	33
-	-	-	-	-	-	-	-	32
-	-	-	-	-	-	-	-	31
-	-	-	-	-	-	-	-	30
-	-	-	-	-	-	-	-	29
-	-	-	-	-	-	-	-	28
-	-	-	-	-	-	-	-	27
-	-	-	-	-	-	-	-	26
-	-	-	-	-	-	-	-	25
-	-	-	-	-	-	-	-	24
-	-	-	-	-	-	-	-	23
-	-	-	-	-	-	-	-	22
-	-	-	-	-	-	-	-	21
-	-	-	-	-	-	-	-	20
-	-	-	-	-	-	-	-	19
-	-	-	-	-	-	-	-	18
-	-	-	-	-	-	-	-	17
-	-	-	-	-	-	-	-	16
-	-	-	-	-	-	-	-	15
-	-	-	-	-	-	-	-	14
-	-	-	-	-	-	-	-	13
-	-	-	-	-	-	-	-	12
-	-	-	-	-	-	-	-	11
-	-	-	-	-	-	-	-	10
-	-	-	-	-	-	-	-	9
-	-	-	-	-	-	-	-	8
-	-	-	-	-	-	-	-	7
-	-	-	-	-	-	-	-	6
-	-	-	-	-	-	-	-	5
-	-	-	-	-	-	-	-	4
-	-	-	-	-	-	-	-	3
-	-	-	-	-	-	-	-	2
-	-	-	-	-	-	-	-	1

DIMENSIONS:		TOLERANCES UNLESS OTHERWISE SPECIFIED:		APPROVED:		NAME:	
mm [IN]		mm [IN]		DATE	SIGNATURE	DATE	SIGNATURE
0 PLC	±	0.130 [0.005]	±	13APR2007	M. CLIFFORD		
2 PLC	±	0.254 [0.010]	±				</

Mouser Electronics

Authorized Distributor

Click to View Pricing, Inventory, Delivery & Lifecycle Information:

[TE Connectivity:](#)

[1528511-6](#)