

4

3

2

1


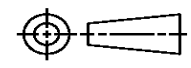
THIS DRAWING IS UNPUBLISHED. RELEASED FOR PUBLICATION  
 © COPYRIGHT ALL RIGHTS RESERVED.

| LOC |     | DIST          |  | REVISIONS |     |      |  |
|-----|-----|---------------|--|-----------|-----|------|--|
| P   | LTR | DESCRIPTION   |  | DATE      | DWN | APVD |  |
|     | B1  | ECR-14-001903 |  | 17FEB2014 | GK  | MHR  |  |
|     |     |               |  |           |     |      |  |
|     |     |               |  |           |     |      |  |

# REPLACED BY OCEAN STYLE APPLICATOR PART NUMBER 2151043-1

FOR REPLACEMENT PARTS FOR APPLICATOR 1528355  
 REFER TO ADDITIONAL PAGE(S). SPARE PARTS KIT (IF LISTED)  
 WILL REMAIN AVAILABLE.

THE REPLACEMENT OCEAN STYLE APPLICATOR HAS THE  
 SAME TERMINATOR/PRESS INTERFACE AS APPLICATOR  
 1528355

|   |        |                  |                  |              |   |               |
|---|--------|------------------|------------------|--------------|---|---------------|
| THIS DRAWING IS A CONTROLLED DOCUMENT.  |        | DWN              | GOPALAKRISHNA HV |              |  TE Connectivity |               |
| DIMENSIONS:   |        | CHK              | RAGHAVENDRA      |              |   |               |
|                      |        | APVD             | RAGHAVENDRA      |              | NAME  |               |
| TOLERANCES UNLESS OTHERWISE SPECIFIED:<br>0 PLC ±<br>1 PLC ±<br>2 PLC ±<br>3 PLC ±<br>4 PLC ±<br>ANGLES ± |        | PRODUCT SPEC     |                  |              | FINE ADJ SIDE FD HD-I APPL  |               |
| MATERIAL  | FINISH | APPLICATION SPEC | SIZE             | CAGE CODE    | DRAWING NO  | RESTRICTED TO |
|   |        | WEIGHT           | A3               |              | ©- 1528355  |               |
| CUSTOMER DRAWING  |        |                  | SCALE            | SHEET 1 OF 2 | REV B1  |               |

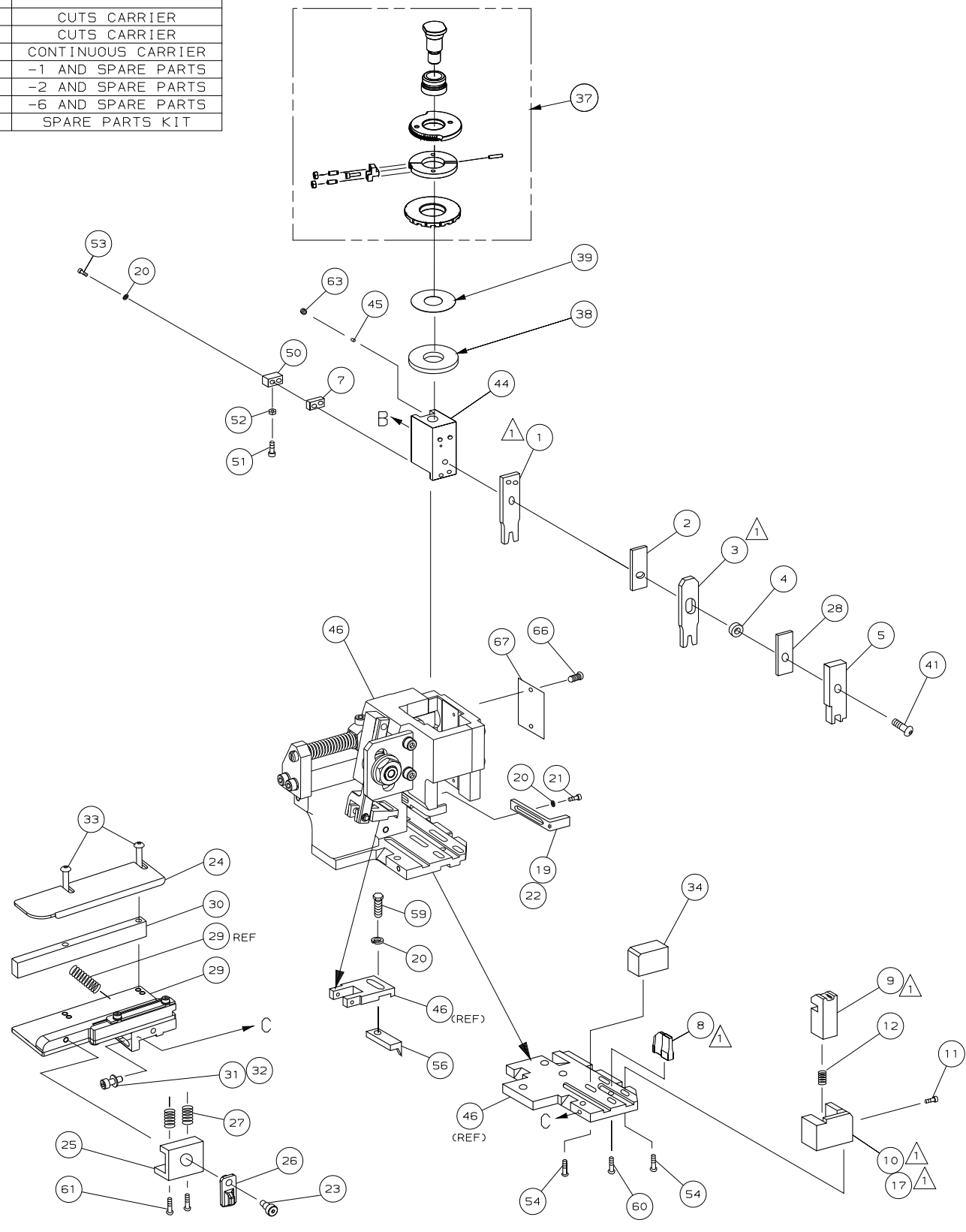
DRAWING MADE IN THIRD ANGLE PROJECTION

1528355 1528355

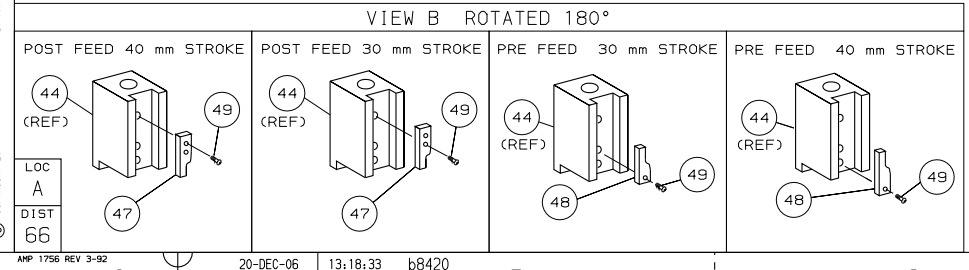
/nd/nboun/medout

| PART NUMBER | REV | FIRST USED | TERMINATOR | FEED TYPE      | DESCRIPTION        |
|-------------|-----|------------|------------|----------------|--------------------|
| 1528355-1   | B   | -          | LEADMAKER  | MECH POST FEED | CUTS CARRIER       |
| 1528355-2   | B   | -          | BENCH      | MECH PRE FEED  | CUTS CARRIER       |
| 1528355-6   | B   | -          | LEADMAKER  | MECH POST FEED | CONTINUOUS CARRIER |
| 7-1528355-1 | B   | -          | LEADMAKER  | MECH POST FEED | -1 AND SPARE PARTS |
| 7-1528355-2 | B   | -          | BENCH      | MECH PRE FEED  | -2 AND SPARE PARTS |
| 7-1528355-6 | B   | -          | LEADMAKER  | MECH POST FEED | -6 AND SPARE PARTS |
| 7-1528355-7 | A   | -          | -          | -              | SPARE PARTS KIT    |

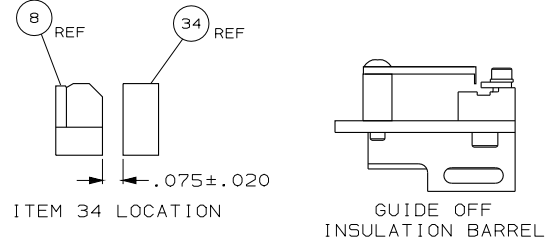
| CRIMP DATA AMP TERMINAL AMP CRIMP SPECS |                            |                     |                          |
|---|----------------------------|---------------------|--------------------------|
| TERMINAL NAME: LOCKING TAB REC. 3.3     |                            |                     |                          |
| CRIMP                                   | SIZE                       | TYPE                | RANGE                    |
| WIRE                                    | 1.57 [.062 IN]             | F                   | 0.20-0.50mm <sup>2</sup> |
| INSUL                                   | 2.29 [.090 IN]             | 0                   | 1.15-1.60 [.045-.063 IN] |
| WIRE STRIP LENGTH                       |                            | APPL INSTRUCTION    |                          |
| 3.40-4.00 [.134-.157 IN]                |                            | 408-8322 & 408-8490 |                          |
| TERMINAL                                |                            | FEED                |                          |
| APPL SPEC 114-18042-1                   |                            | 17.50 [.689 IN]     |                          |
| TERMINALS APPLIED                       |                            |                     |                          |
| 962889                                  | -                          | -                   | -                        |
| -                                       | -                          | -                   | -                        |
| -                                       | -                          | -                   | -                        |
| -                                       | -                          | -                   | -                        |
| -                                       | -                          | -                   | -                        |
| -                                       | -                          | -                   | -                        |
| -                                       | -                          | -                   | -                        |
| -                                       | -                          | -                   | -                        |
| -                                       | -                          | -                   | -                        |
| -                                       | -                          | -                   | -                        |
| WIRE SIZE                               | CRIMP HEIGHT               | REF SETTING         |                          |
| mm <sup>2</sup> AWG                     | mm                         | mm                  | mm                       |
| 0.50mm <sup>2</sup>                     | 1.12 ±0.05 [.044 ±.002 IN] | B 3                 |                          |
| 0.35mm <sup>2</sup>                     | 1.05 ±0.05 [.041 ±.002 IN] | B 7                 |                          |
| 0.25mm <sup>2</sup>                     | 1.00 ±0.05 [.039 ±.002 IN] | C 0                 |                          |
| 0.20mm <sup>2</sup>                     | 0.98 ±0.05 [.039 ±.002 IN] | C 0                 |                          |



- 1. RECOMMENDED SPARE PARTS.
- 2. GREASE RAM, CAM, CAM FOLLOWER AND FEED ROD LIGHTLY.
- 3. LUBRICATE DAILY PER THE APPLICATOR INSTRUCTION SHEET SUPPLIED WITH THE APPLICATOR.



**\* WARNING:**  
ON INSTALLATION, SET WIRE DISC TO LARGEST WIRE SIZE SETTING. USE OF SETTINGS BELOW MIN REQUIRED CRIMP HEIGHT SETTING WILL CAUSE DAMAGE TO CRIMP TOOLING.



| QTY | REQD | PER | ASSY | PART NO | DESCRIPTION | ITEM NO     |
|-----|------|-----|------|---------|-------------|-------------|
| -   | 1    | 1   | 1    | 1       | 1           | 1528355     |
| -   | 1    | 1   | 1    | 1       | 1           | 1338705-3   |
| -   | 1    | 1   | 1    | 1       | 1           | 461264-5    |
| -   | 2    | 2   | 2    | 2       | 2           | 21017-2     |
| -   | 1    | 1   | 1    | 1       | 1           | 3-18031-0   |
| -   | 2    | 2   | 2    | 2       | 2           | 2-18032-5   |
| -   | 1    | 1   | 1    | 1       | 1           | 18024-7     |
| -   | 1    | 1   | 1    | 1       | 1           | 5-18022-2   |
| -   | 1    | 1   | 1    | 1       | 1           | 1338685-1   |
| -   | 4    | 4   | 4    | 4       | 4           | 18024-8     |
| -   | 2    | 2   | 2    | 2       | 2           | 9-18023-6   |
| -   | 1    | 1   | 1    | 1       | 1           | 18030-1     |
| -   | 1    | 1   | 1    | 1       | 1           | 811242-5    |
| -   | 1    | 1   | 1    | 1       | 1           | 690753-2    |
| -   | 1    | 1   | 1    | 1       | 1           | 18024-3     |
| -   | 1    | 1   | 1    | 1       | 1           | 1338675-1   |
| -   | 1    | 1   | 1    | 1       | 1           | 1338676-1   |
| -   | 1    | 1   | 1    | 1       | 1           | 1320999-3   |
| -   | 1    | 1   | 1    | 1       | 1           | 690191-1    |
| -   | 1    | 1   | 1    | 1       | 1           | 1338660-1   |
| -   | 1    | 1   | 1    | 1       | 1           | 2-18024-6   |
| -   | 1    | 1   | 1    | 1       | 1           | 690125-1    |
| -   | 1    | 1   | 1    | 1       | 1           | 469367-8    |
| -   | 1    | 1   | 1    | 1       | 1           | 879103-3    |
| -   | 1    | 1   | 1    | 1       | 1           | 2-1320934-5 |
| -   | 2    | 2   | 2    | 2       | 2           | 1-18024-0   |
| -   | 1    | 1   | 1    | 1       | 1           | 18027-2     |
| -   | 1    | 1   | 1    | 1       | 1           | 1-18023-2   |
| -   | 1    | 1   | 1    | 1       | 1           | 1320908-1   |
| -   | 1    | 1   | 1    | 1       | 1           | 1633073-6   |
| -   | 1    | 1   | 1    | 1       | 1           | 455888-6    |
| -   | 2    | 2   | 2    | 2       | 2           | 1-22284-0   |
| -   | 1    | 1   | 1    | 1       | 1           | 356835-1    |
| -   | 1    | 1   | 1    | 1       | 1           | 240792-1    |
| -   | 1    | 1   | 1    | 1       | 1           | 1320928-1   |
| -   | 1    | 1   | 1    | 1       | 1           | 980371-4    |
| -   | 1    | 1   | 1    | 1       | 1           | 690472-2    |
| -   | 1    | 1   | 1    | 1       | 1           | 1-18023-1   |
| -   | 4    | 4   | 4    | 4       | 4           | 18025-2     |
| -   | 1    | 1   | 1    | 1       | 1           | 690472-1    |
| -   | 1    | 1   | 1    | 1       | 1           | 1338684-1   |
| -   | 1    | 1   | 1    | 1       | 1           | 3-22280-3   |
| -   | 1    | 1   | 1    | 1       | 1           | 356885-4    |
| -   | 1    | 1   | 1    | 1       | 1           | 1320921-1   |
| -   | 1    | 1   | 1    | 1       | 1           | 1-462006-8  |
| 1   | 2    | 2   | 2    | 1       | 1           | 5-1333202-7 |
| -   | 1    | 1   | 1    | 1       | 1           | 1-240641-3  |
| -   | 1    | 1   | 1    | 1       | 1           | 2-455889-0  |
| -   | 1    | 1   | 1    | 1       | 1           | 238011-4    |
| 1   | 2    | 2   | 2    | 1       | 1           | 1-683454-4  |
| -   | 1    | 1   | 1    | 1       | 1           | 455888-7    |
| 1   | 2    | 2   | 2    | 1       | 1           | 1-456403-3  |

| DIMENSIONS, mm [INCHES]                   |  | MATERIAL |  | FINISH |  |
|---|--|----------|--|--------|--|
| DO NOT SCALE PRINT.                       |  | MATERIAL |  | FINISH |  |
| TOLERANCES UNLESS OTHERWISE SPECIFIED:    |  | MATERIAL |  | FINISH |  |
| 1 PLC DEC ±                               |  | MATERIAL |  | FINISH |  |
| 2 PLC DEC ±                               |  | MATERIAL |  | FINISH |  |
| 3 PLC DEC ±                               |  | MATERIAL |  | FINISH |  |
| ANGLES ±                                  |  | MATERIAL |  | FINISH |  |
| SURF TEXTURE:                             |  | MATERIAL |  | FINISH |  |
| REMOVE BURRS, BREAK SHARP EDGES RO.3B MAX |  | MATERIAL |  | FINISH |  |
| SCALE                                     |  | MATERIAL |  | FINISH |  |
| DWG NO                                    |  | MATERIAL |  | FINISH |  |
| 1528355                                   |  | MATERIAL |  | FINISH |  |
| SHEET                                     |  | MATERIAL |  | FINISH |  |
| 1 of 1                                    |  | MATERIAL |  | FINISH |  |
| REV                                       |  | MATERIAL |  | FINISH |  |
| B   |  | MATERIAL |  | FINISH |  |

THIS DRAWING IS A CONTROLLED DOCUMENT

LAYOUT L1528355 SET UP GAGE 458637-3

20

RELEASED FOR PUBLICATION BY AMP INCORPORATED. ALL RIGHTS RESERVED.

THIS DRAWING IS UNPUBLISHED. © COPYRIGHT 20

AMP 1756 REV 3-92 8 20-DEC-06 13:18:33 b8420

6

5

4

3

# Mouser Electronics

Authorized Distributor

Click to View Pricing, Inventory, Delivery & Lifecycle Information:

[TE Connectivity:](#)

[1528355-1](#)