

4

3

2

1

THIS DRAWING IS UNPUBLISHED. RELEASED FOR PUBLICATION
© COPYRIGHT ALL RIGHTS RESERVED.

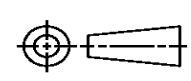
LOC	DIST	REVISIONS			
P	LTR	DESCRIPTION	DATE	DWN	APVD
	C1	ECR-14-002251	20FEB2014	GK	HMR

REPLACED BY OCEAN STYLE APPLICATOR PART NUMBER 2266037-1

FOR REPLACEMENT PARTS FOR APPLICATOR 1528269
REFER TO ADDITIONAL PAGE(S). SPARE PARTS KIT (IF LISTED)
WILL REMAIN AVAILABLE.

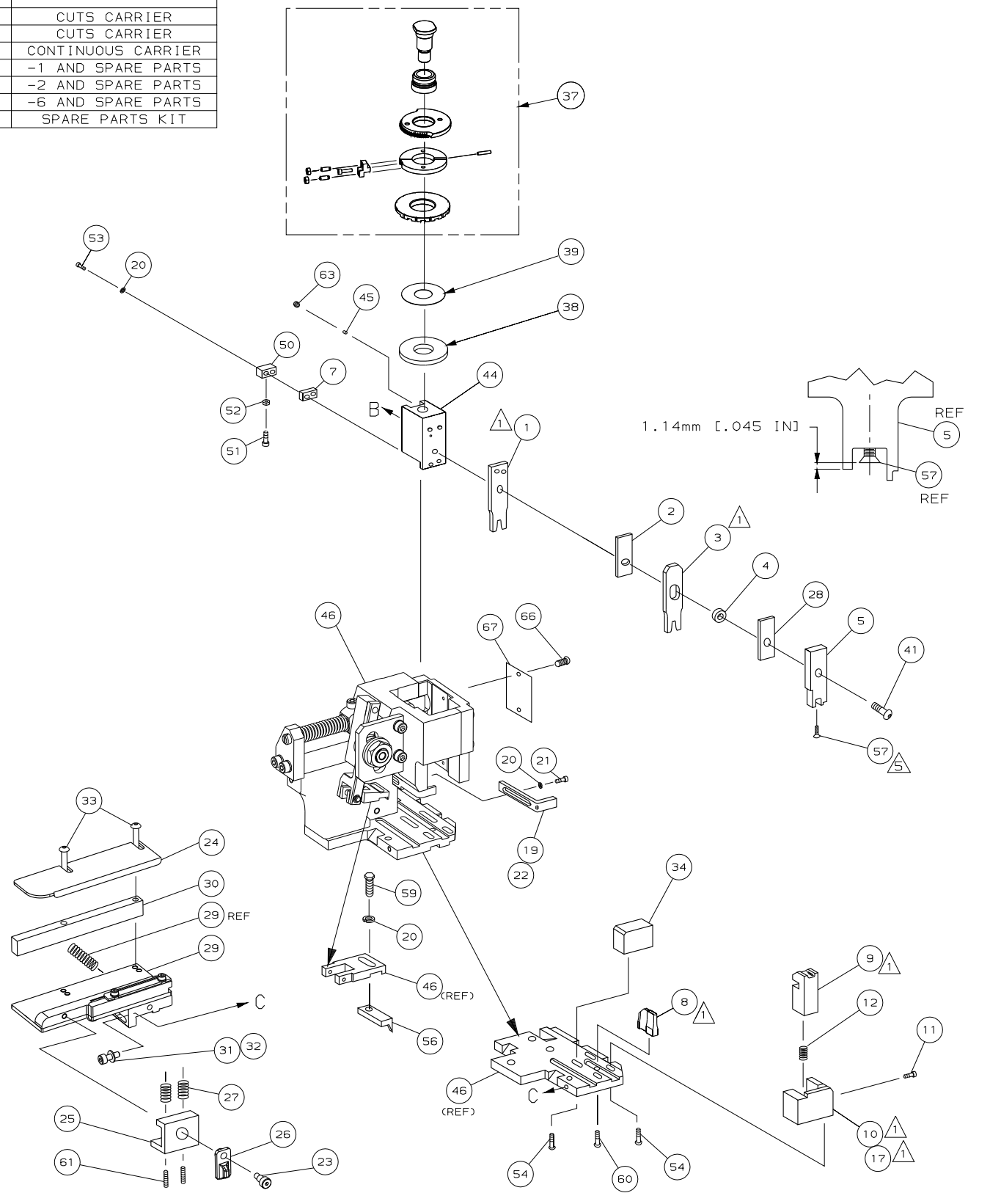
THE REPLACEMENT OCEAN STYLE APPLICATOR HAS THE
SAME TERMINATOR/PRESS INTERFACE AS APPLICATOR
1528269

THIS DRAWING IS A CONTROLLED DOCUMENT.		DWN	GOPALAKRISHNA HV														
DIMENSIONS:		CHK	RAGHAVENDRA														
TOLERANCES UNLESS OTHERWISE SPECIFIED:		APVD	RAGHAVENDRA														
<table border="0"> <tr><td>0 PLC</td><td>±</td></tr> <tr><td>1 PLC</td><td>±</td></tr> <tr><td>2 PLC</td><td>±</td></tr> <tr><td>3 PLC</td><td>±</td></tr> <tr><td>4 PLC</td><td>±</td></tr> <tr><td>ANGLES</td><td>±</td></tr> </table>		0 PLC	±	1 PLC	±	2 PLC	±	3 PLC	±	4 PLC	±	ANGLES	±	PRODUCT SPEC	NAME		
0 PLC	±																
1 PLC	±																
2 PLC	±																
3 PLC	±																
4 PLC	±																
ANGLES	±																
MATERIAL		APPLICATION SPEC	FINE ADJ SIDE FD HD-I APPL														
FINISH		WEIGHT	SIZE	CAGE CODE	DRAWING NO												
			A3		©- 1528269												
		CUSTOMER DRAWING	SCALE	SHEET 1 OF 2	REV C1												

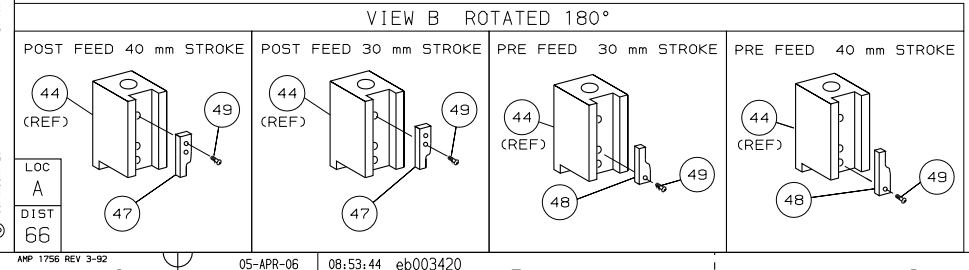


PART NUMBER	REV	FIRST USED	TERMINATOR	FEED TYPE	DESCRIPTION
1528269-1	C	-	LEADMAKER	MECH POST FEED	CUTS CARRIER
1528269-2	C	-	BENCH	MECH PRE FEED	CUTS CARRIER
1528269-6	C	-	LEADMAKER	MECH POST FEED	CONTINUOUS CARRIER
7-1528269-1	C	-	LEADMAKER	MECH POST FEED	-1 AND SPARE PARTS
7-1528269-2	C	-	BENCH	MECH PRE FEED	-2 AND SPARE PARTS
7-1528269-6	C	-	LEADMAKER	MECH POST FEED	-6 AND SPARE PARTS
7-1528269-7	A	-	-	-	SPARE PARTS KIT

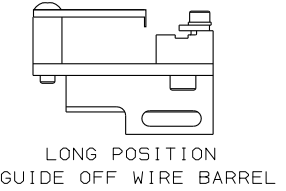
CRIMP DATA TYCO ELECTRONICS			
TERMINAL NAME: 1.6MM ROUND SYSTEM			
CRIMP	SIZE	TYPE	RANGE
WIRE	2.03 [.080 IN]	F	0.50mm ² - 1.00mm ²
INSUL	3.05 [.120 IN]	0	1.40-2.10 [.055-.083 IN]
WIRE STRIP LENGTH		APPL INSTRUCTION	
3.90-4.70 [.154-.185 IN]		408-8322 & 408-8490	
TERMINAL	-	-	FEED
APPL SPEC	114-20121	-	12.50 [.492 IN]
TERMINALS APPLIED			
AMP TERM PN	AMP SEAL PN		
1-1437709-2	1-1437713-2	-	-
1437709-7	-	-	-
1-1437709-0	-	-	-
1-1437709-5	-	-	-
1437709-2	-	-	-
2-1437709-8	-	-	-
-	-	-	-
WIRE SIZE	CRIMP HEIGHT	REF SETTING	
mm ² AWG			
1.00mm ²	1.33 ±0.05 [.052 ±.002 IN]	B 6	
0.75mm ²	1.24 ±0.05 [.049 ±.002 IN]	C 2	
0.50mm ²	1.15 ±0.05 [.045 ±.002 IN]	C 8	



- 1. RECOMMENDED SPARE PARTS.
- 2. GREASE RAM, CAM, CAM FOLLOWER AND FEED ROD LIGHTLY.
- 3. LUBRICATE DAILY PER THE APPLICATOR INSTRUCTION SHEET SUPPLIED WITH THE APPLICATOR.
- 4. THIS APPLICATOR APPLIES TERMINAL WITH A SEAL.
- 5. APPLY TORQ-SEAL IN ALLEN SOCKET TO FILL HOLE AFTER FLAT HD HAS BEEN ADJUSTED TO CORRECT HEIGHT AT QUALIFICATION. APPLY #1-23419-5 LOC-TITE TO THREADS.



*** WARNING:**
ON INSTALLATION, SET WIRE DISC TO LARGEST WIRE SIZE SETTING. USE OF SETTINGS BELOW MIN REQUIRED CRIMP HEIGHT SETTING WILL CAUSE DAMAGE TO CRIMP TOOLING.



QTY	REQD	PER	ASSY	PART NO	DESCRIPTION	ITEM NO		
-	1	1	1	1	1	1528269	PRINT, APPLICATOR LOG SHEET	73
-	1	1	1	1	1	1338705-3	DOCUMENTATION PACKAGE	71
-	1	1	1	1	1	461264-5	PLATE, IDENTIFICATION	67
-	2	2	2	2	2	21017-2	SCR, DRIVE (#2X.19) ID PLATE	66
-	1	1	1	1	1	3-18031-0	SCR, SKT SET (M6X6) RAM	63
-	2	2	2	2	2	2-18032-5	SCR, SET (M5X20) DRAG	61
-	1	1	1	1	1	18024-7	SCR, BHC (M4X10) ANVIL	60
-	1	1	1	1	1	5-18022-2	SCR, HEX (M4X8) FEED FINGER	59
-	1	1	1	1	1	985575-3	SCR, FHC (M3X10) DEP	57
-	1	1	1	1	1	1338685-1	PAWL, FEED	56
-	4	4	4	4	4	18024-8	SCR, BHC (M4X12) SHEAR HOLDER	54
-	2	2	2	2	2	1-18023-3	SCR, SHC (M4X16) TERM HLD DWN	53
-	1	1	1	1	1	18030-1	NUT, HEX (M3) HOLD DOWN	52
-	1	1	1	1	1	811242-5	BUMPER, HOLDDOWN	51
-	1	1	1	1	1	690753-2	SPACER, TONKER	50
-	1	1	1	1	1	18024-3	SCR, BHC (M3X10) CAM	49
-	1	1	1	1	1	1338675-1	CAM, PRE FEED 30 & 40 mm ST	48
-	1	1	1	1	1	1338676-1	CAM, POST FEED 30 & 40 mm ST	47
-	1	1	1	1	1	1320999-3	APPLICATOR BASIC SUBASSY	46
-	1	1	1	1	1	690191-1	PLUG, NYLON	45
-	1	1	1	1	1	1338660-1	RAM	44
-	1	1	1	1	1	2-18024-6	SCR, BHC (M8X25) RAM	41
-	1	1	1	1	1	690125-1	SHIM SUBASSY	39
-	1	1	1	1	1	469367-9	SPACER, FINE ADJUST	38
-	1	1	1	1	1	879103-2	FINE ADJUST HEAD SUBASSY	37
-	1	1	1	1	1	1-1320934-6	SUPPORT, TERMINAL	34
-	2	2	2	2	2	1-18024-0	SCR, BHC (M4X20) STRIP GUIDE	33
-	1	1	1	1	1	18027-2	WASHER, FLAT (M4)	32
-	1	1	1	1	1	1-18023-2	SCR, SKT CAP (M4X12) MOUNT BLOCK	31
-	1	1	1	1	1	1320908-8	SPACER, STRIP GUIDE	30
-	1	1	1	1	1	1633073-2	STRIP GUIDE PLATE ASSY	29
-	1	1	1	1	1	455888-8	SPACER, FRONT SHEAR DEP	28
-	2	2	2	2	2	1-22284-0	SPRING, DRAG	27
-	1	1	1	1	1	356835-1	LEVER, DRAG RELEASE	26
-	1	1	1	1	1	240792-1	DRAG, TERMINAL	25
-	1	1	1	1	1	1320928-1	PLATE, STRIP GUIDE	24
-	1	1	1	1	1	980371-4	SCR, SHC SHLD	23
-	1	1	1	1	1	690472-2	STRIPPER	22
-	1	1	1	1	1	1-18023-1	SCR, SHC (M4X10) STRIPPER	21
-	4	4	4	4	4	18025-2	WASHER, LOCK (M4) STRIPPER	20
-	1	1	1	1	1	690472-1	STRIPPER	19
-	1	1	1	1	1	1338684-2	HOLDER, SHEAR, FRONT (NO-CUT)	17
-	1	1	1	1	1	3-22280-3	SPRING, SHEAR	12
-	1	1	1	1	1	356885-5	STOP, SHEAR	11
-	1	1	1	1	1	1-1320921-0	HOLDER, SHEAR, FRONT (CUT)	10
-	1	1	1	1	1	318707-1	SHEAR, FLOAT (FRONT)	9
-	1	2	2	2	2	1-1333225-5	ANVIL	8
-	1	1	1	1	1	2-240641-9	SPACER, DEPRESSOR (REAR)	7
-	1	1	1	1	1	1338680-1	DEPRESSOR, SHEAR (FRONT)	6
-	1	1	1	1	1	238011-4	SPACER, BLOCK CRIMPER	4
-	1	2	2	2	2	1-456135-7	CRIMPER, INSULATION	3
-	1	1	1	1	1	455888-4	SPACER, CRIMPER	2
-	1	2	2	2	2	1-456405-6	CRIMPER, WIRE	1

QTY REQD PER ASSY		PARTS LIST	
DR	26JAN04	APP	26JAN04
CHK	L.LOFTHOUSE	REL	26JAN04
NAME	FINE ADJ SIDE FD HD-I APPL		MACHINE REF
SCALE	D		REV
DWG NO	1528269		SHEET
CUSTOMER AND ASSEMBLY DRAWING			1 OF 1

THIS DRAWING IS A CONTROLLED DOCUMENT

LAYOUT L1426231 SET UP GAGE 458637-3

20

RELEASED FOR PUBLICATION BY AMP INCORPORATED. ALL RIGHTS RESERVED.

THIS DRAWING IS UNPUBLISHED. © COPYRIGHT 20

Mouser Electronics

Authorized Distributor

Click to View Pricing, Inventory, Delivery & Lifecycle Information:

[TE Connectivity:](#)

[1528269-2](#)