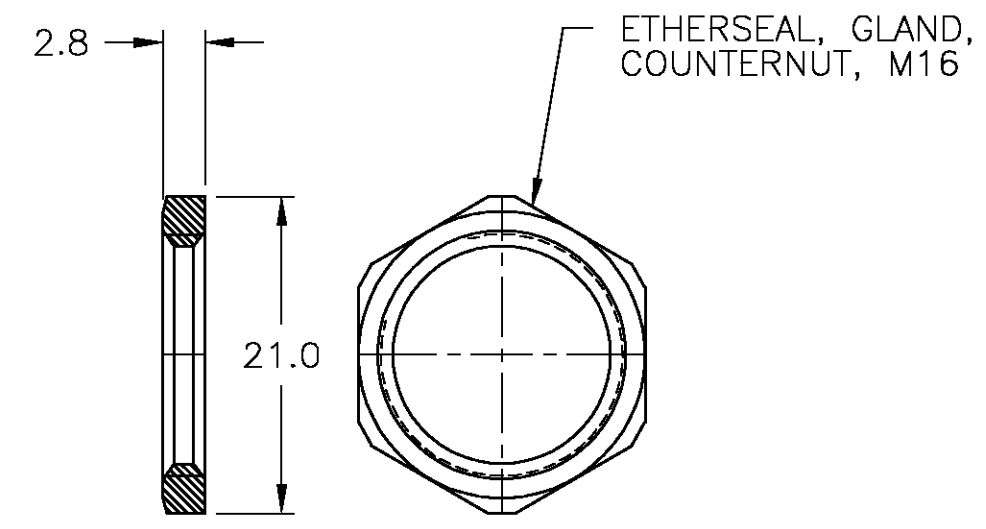
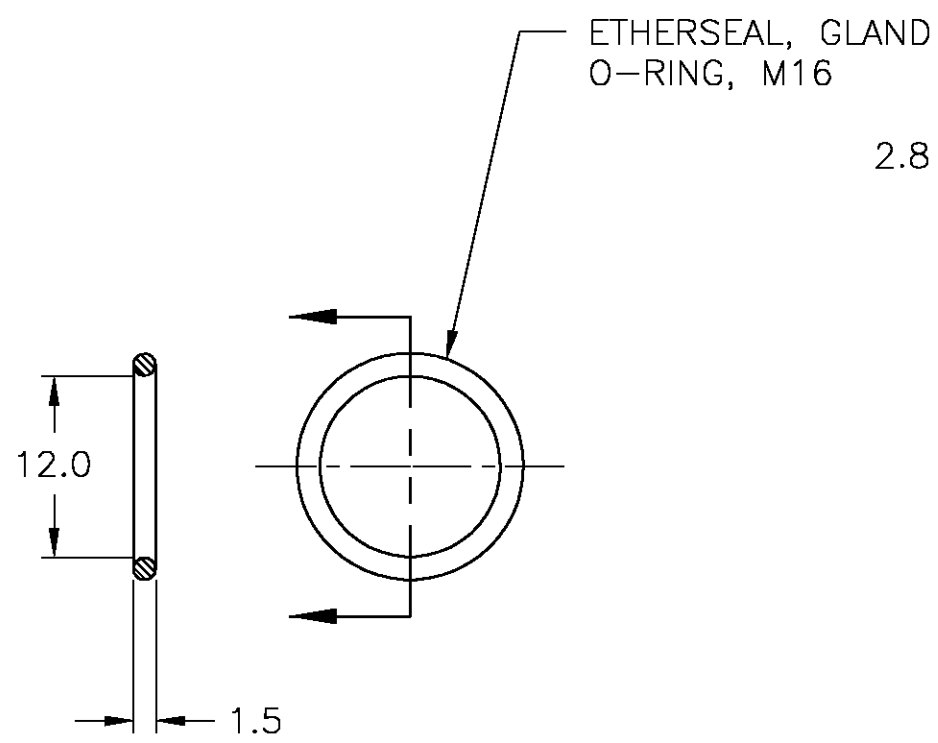
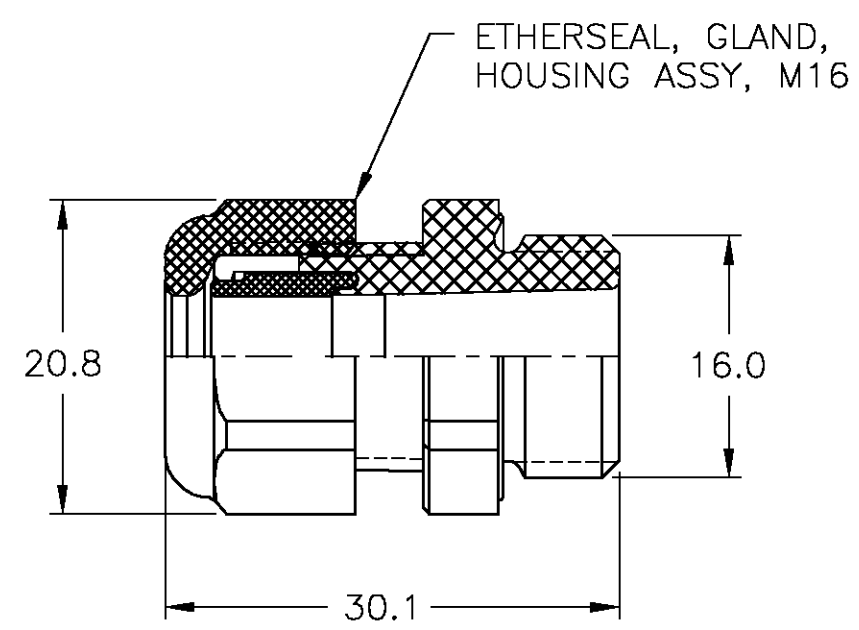


THIS DRAWING IS UNPUBLISHED. RELEASED FOR PUBLICATION  
 © COPYRIGHT - BY TYCO ELECTRONICS CORPORATION. ALL RIGHTS RESERVED.

LOC	DIST	REVISIONS			
P	LTR	DESCRIPTION	DATE	DWN	APVD
HM	00	A	RLSD - NSD04-015	16JUN04	LH PP

1. DIMENSIONS ARE REFERENCE ONLY.
2. THIS KIT SHIPPED NOT ASSEMBLED.
3. PACKAGE ONE HOUSING ASSEMBLY, ONE COUNTERNUT AND ONE O-RING PER POLYBAG.



1479657-1  
PART NO.

THIS DRAWING IS A CONTROLLED DOCUMENT.		DWN L. HALL 11JUN04	Tyco Electronics Corporation Harrisburg, Pa 17105-3608		
DIMENSIONS: mm		CHK P. PEPE 16JUN04			
		APVD P. PEPE 16JUN04	NAME KIT, ETHERSEAL, GLAND, M16, FRONT MOUNT, BLACK		
TOLERANCES UNLESS OTHERWISE SPECIFIED:		PRODUCT SPEC	SIZE A3		
0 PLC ± -		APPLICATION SPEC	CAGE CODE 00779	DRAWING NO C-1479657	RESTRICTED TO
1 PLC ± -		WEIGHT	-		
2 PLC ± -		CUSTOMER DRAWING			
3 PLC ± -		SCALE	2:1		
4 PLC ± -		SHEET	1 OF 1		
ANGLES ± -		REV	A		
FINISH		-			
MATERIAL		-			

# Mouser Electronics

Authorized Distributor

Click to View Pricing, Inventory, Delivery & Lifecycle Information:

[TE Connectivity Divested:](#)

[1479657-1](#)