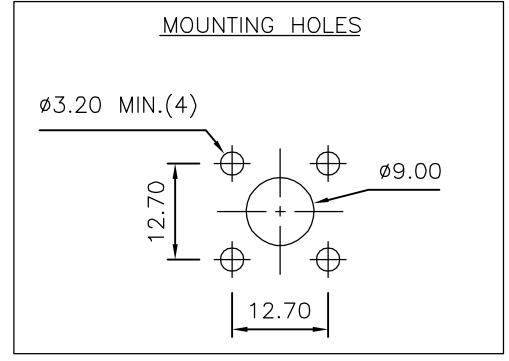
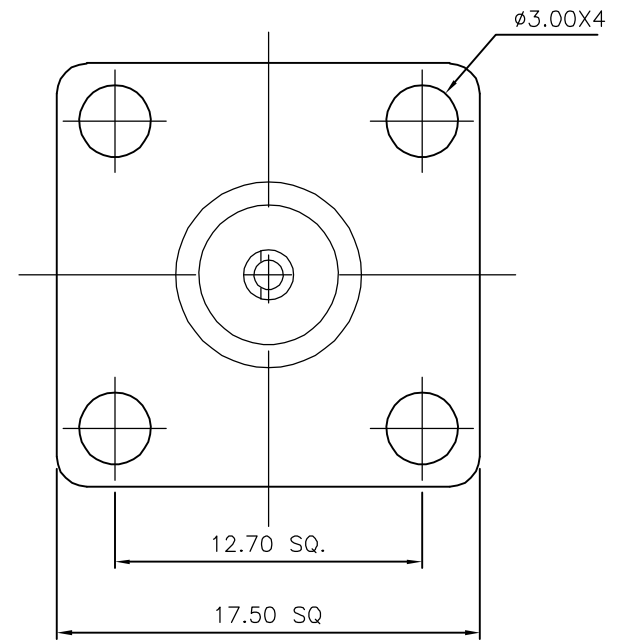
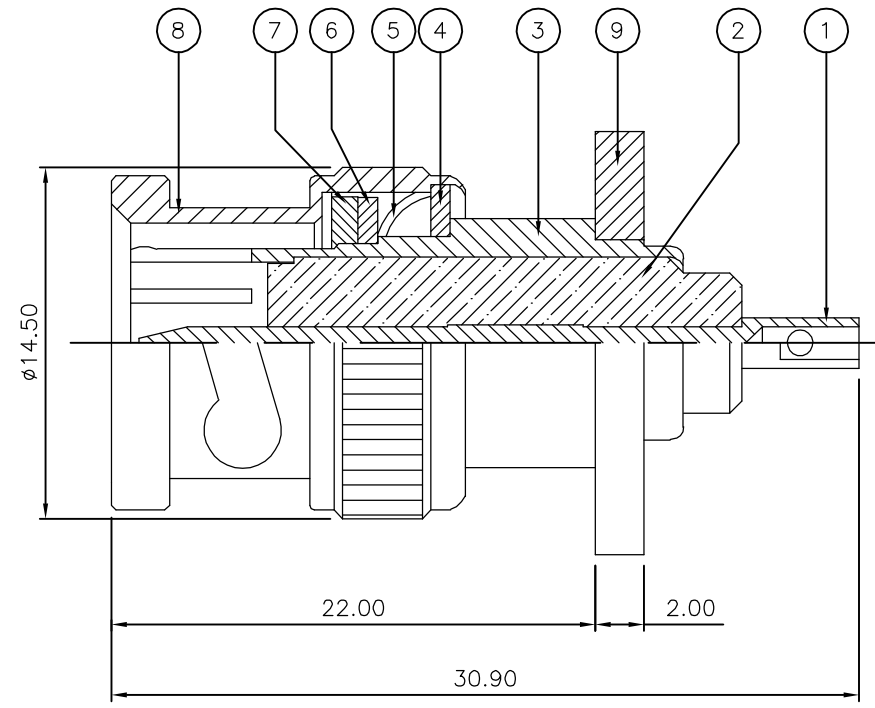


THIS DRAWING IS UNPUBLISHED. RELEASED FOR PUBLICATION JUNE ,2006.

© COPYRIGHT 2006 BY TYCO ELECTRONICS CORPORATION. ALL RIGHTS RESERVED.

LOC	DIST	REVISIONS					
E	B	P	LTR	DESCRIPTION	DATE	DWN	APVD
		B		ECR-05-013423	15JUN06	JMS	FWK

- NOTES:**
- 1 PACK IN ACCORDANCE WITH AMP SPEC 107-3275
  - 2 100 TRAY PACK IN ACCORDANCE WITH AMP SPEC 107-3275
  - 3 Ag PLATING
  - 4 Ni PLATING
  - 5 THIS ITEM MUST BE WHITE
  - 6 **ELECTRICAL CHARACTERISTICS**  
 FREQUENCY RANGE: DC - 2 GHz  
 NOMINAL IMPEDANCE: 75 Ohm  
 INSULATION RESISTANCE: 5000 MOhm  
 WORKING VOLTAGE: 500 Volts RMS at Sea Level  
 DIELECTRIC WITHSTAND VOLTAGE: 1500 Volts RMS Max  
 CONTACT RESISTANCE:  
 CENTRE CONTACT: 1.50 mOhm Max  
 OUTER CONTACT: 0.20 mOhm Max  
 VSWR @ xGHz: N/A  
 INSERTION LOSS xdb: N/A
  - 7 **MECHANICAL CHARACTERISTICS**  
 COUPLING RETENTION FORCE: 445N Min  
 CABLE RETENTION FORCE: N/A  
 DURABILITY: 500 Cycles Min
  - 8 **ENVIRONMENTAL CHARACTERISTICS**  
 OPERATING TEMPERATURE: -65 to +165 DegC
  - 9 FOR TECHNICAL DATA REFER TO YOUR LOCAL TYCO ELECTRONICS SALES OFFICE
  - 10 ALL DIMENSIONS ARE NOMINAL FOR REFERENCE ONLY UNLESS OTHERWISE STATED



QTY	QTY PER ASSY	MATERIAL	DESCRIPTION	ITEM
1	1	BRASS	FLANGE	9
1	1	BRASS	SHELL	8
1	1	SILICON RUBBER	GASKET	7
1	1	BRASS	RETAINING RING	6
1	1	SPRING STEEL	SPRING	5
1	1	BRASS	WASHER	4
1	1	BRASS	BODY	3
1	1	PTFE	INSULATION	2
1	1	BRASS	CONTACT	1
6--0	1--0			

THIS DRAWING IS A CONTROLLED DOCUMENT.		DWN J.SANDWELL 15JUN06	Tyco Electronics Corporation Bideford EX39 4HE	
DIMENSIONS: mm		CHK S.PARLOW 15JUN06		
TOLERANCES UNLESS OTHERWISE SPECIFIED:		APVD F.WHEELER-KING 15JUN06	NAME BNC PANEL PLUG 75 OHM	
0 PLC ± - 1 PLC ± - 2 PLC ± - 3 PLC ± - 4 PLC ± - ANGLES ± -		PRODUCT SPEC -	APPLICATION SPEC -	
MATERIAL SEE TABLE		FINISH -	WEIGHT -	RESTRICTED TO -
CUSTOMER DRAWING			SIZE A3	CAGE CODE 00779
SCALE NTS			DRAWING NO C-1478052	REV B

# Mouser Electronics

Authorized Distributor

Click to View Pricing, Inventory, Delivery & Lifecycle Information:

[TE Connectivity:](#)

[1-1478052-0](#)