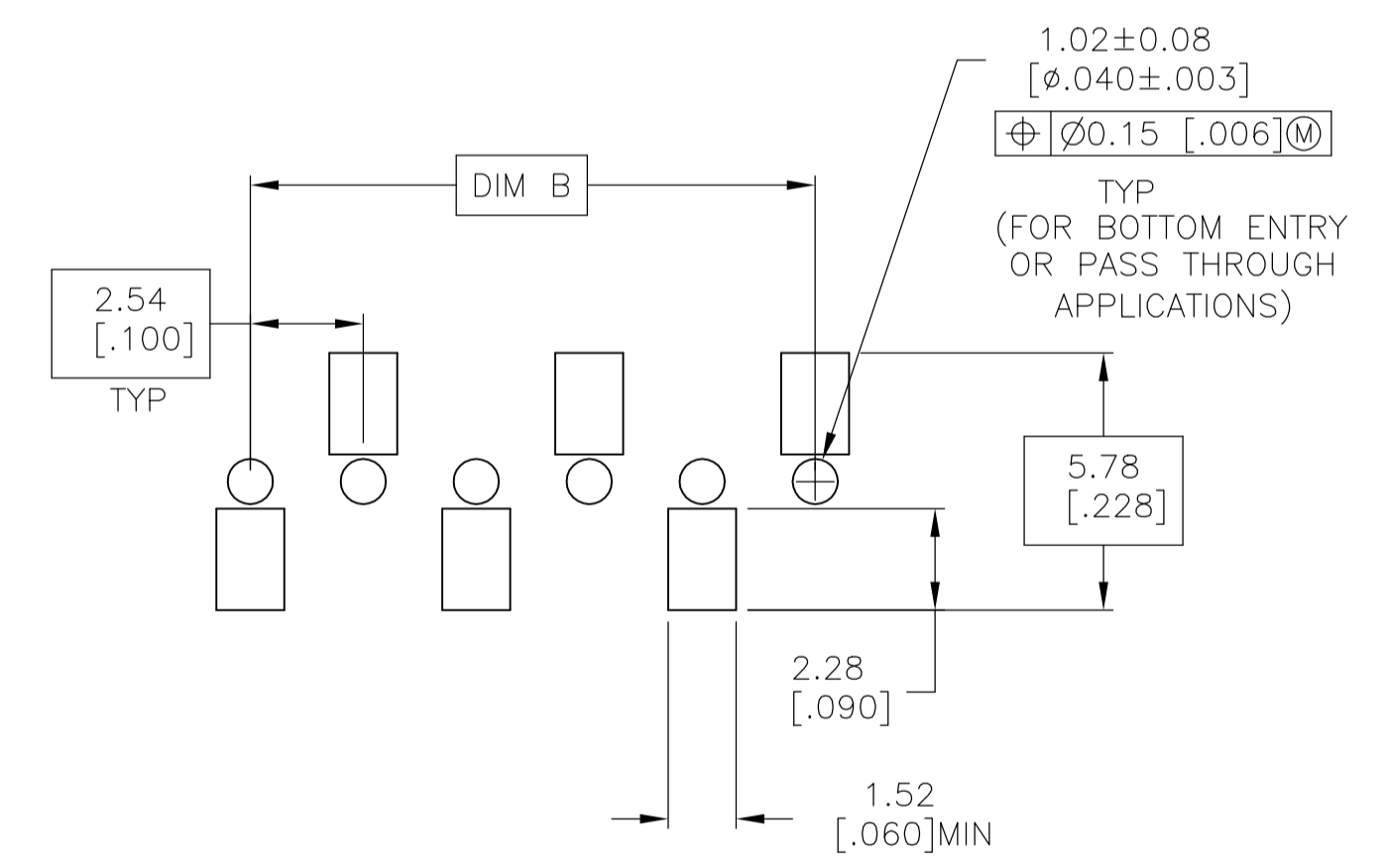
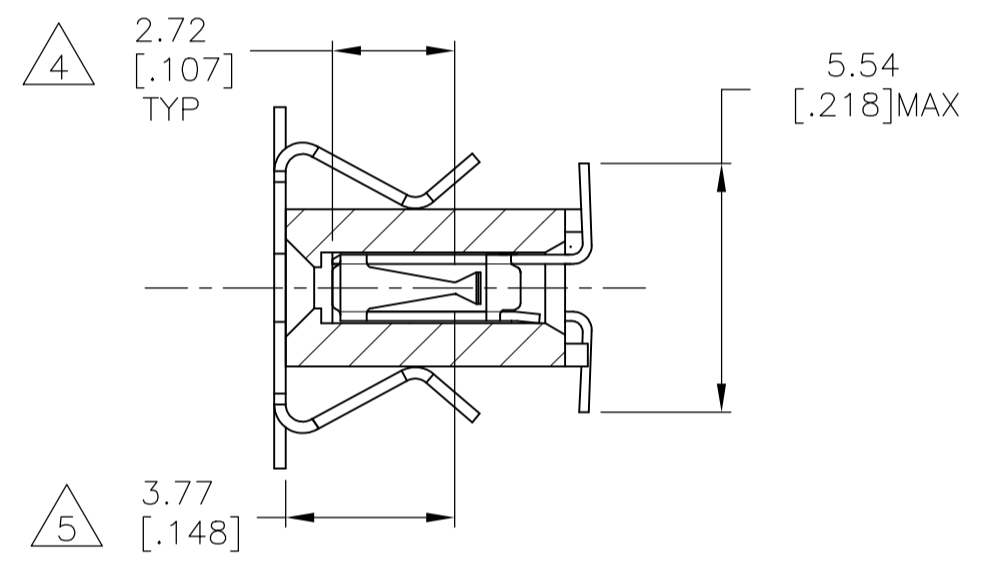
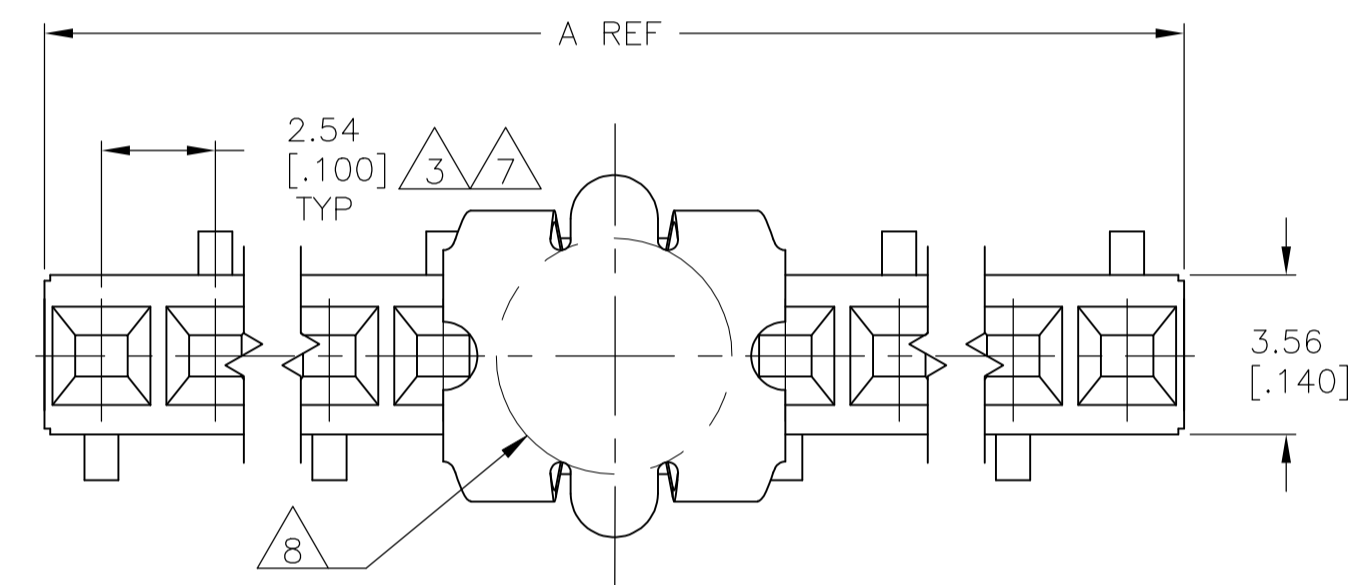
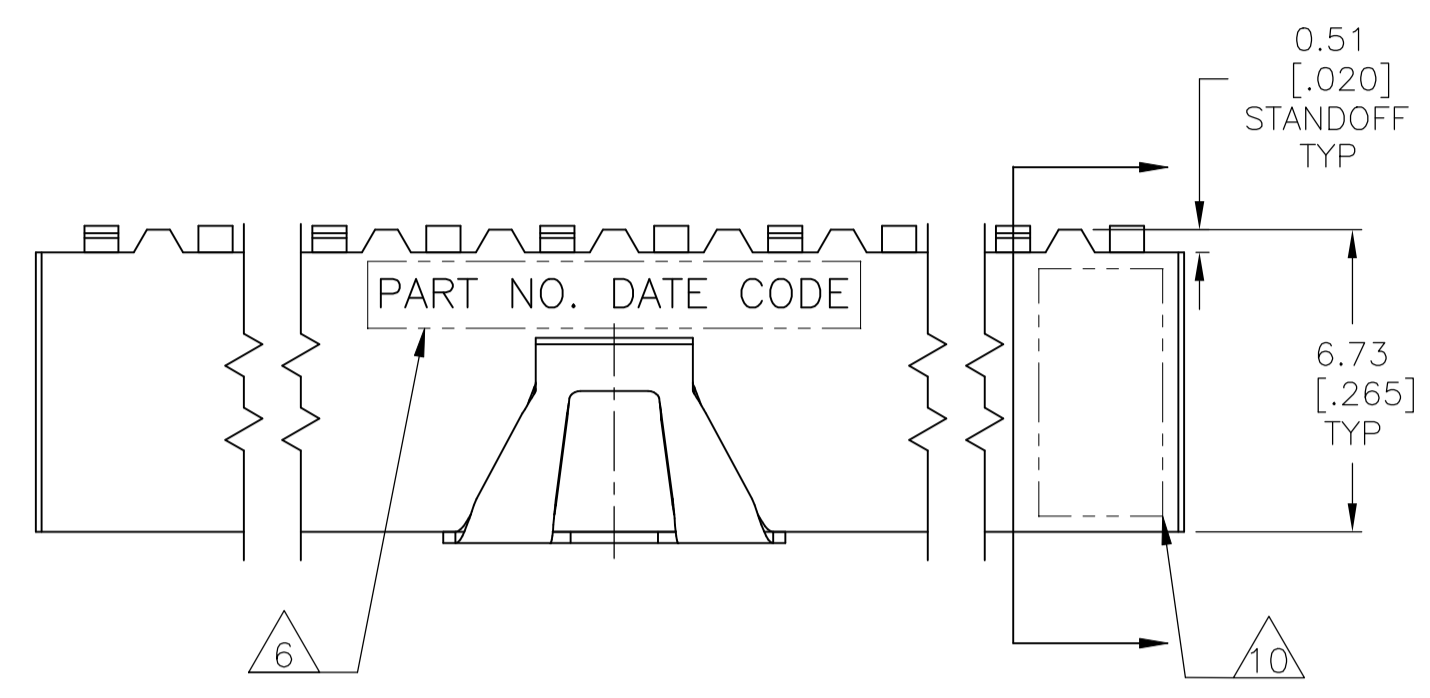


REVISIONS				
P	LTR	DESCRIPTION	DATE	APP'D
H6		ECR-16-016466	22JAN2018	SD PS



RECOMMENDED PC BOARD PAD PATTERN
 0.20[.008] THICK STENCIL

SUPERSEDED BY 6-147728-3

120mm	99.06 [3.900]	101.6 [4.000]	40	△	3-147728-9
	96.52 [3.800]	99.06 [3.900]	39	△	3-147728-8
	93.98 [3.700]	96.52 [3.800]	38	△	3-147728-7
	91.44 [3.600]	93.98 [3.700]	37	△	3-147728-6
	88.90 [3.500]	91.44 [3.600]	36	△	3-147728-5
	86.34 [3.400]	88.90 [3.500]	35	△	3-147728-4
	83.82 [3.300]	86.34 [3.400]	34	△	3-147728-3
	81.28 [3.200]	83.82 [3.300]	33	△	3-147728-2
	78.74 [3.100]	81.28 [3.200]	32	△	3-147728-1
	76.20 [3.000]	78.74 [3.100]	31	△	3-147728-0
88mm	73.66 [2.900]	76.20 [3.000]	30	△	2-147728-9
	71.12 [2.800]	73.66 [2.900]	29	△	2-147728-8
	68.58 [2.700]	71.12 [2.800]	28	△	2-147728-7
	66.04 [2.600]	68.58 [2.700]	27	△	2-147728-6
	63.5 [2.500]	66.04 [2.600]	26	△	2-147728-5
	60.96 [2.400]	63.5 [2.500]	25	△	2-147728-4
72mm	58.42 [2.300]	60.96 [2.400]	24	△	2-147728-3
	55.88 [2.200]	58.42 [2.300]	23	△	2-147728-2
	53.34 [2.100]	55.88 [2.200]	22	△	2-147728-1
	50.8 [2.000]	53.34 [2.100]	21	△	2-147728-0
	48.26 [1.900]	50.8 [2.000]	20	△	1-147728-9
	45.72 [1.800]	48.26 [1.900]	19	△	1-147728-8
	43.18 [1.700]	45.72 [1.800]	18	△	1-147728-7
	40.64 [1.600]	43.18 [1.700]	17	△	1-147728-6
	38.1 [1.500]	40.64 [1.600]	16	△	1-147728-5
	35.56 [1.400]	38.1 [1.500]	15	△	1-147728-4
44mm	33.02 [1.300]	35.56 [1.400]	14	△	1-147728-3
	30.48 [1.200]	33.02 [1.300]	13	△	1-147728-2
	27.94 [1.100]	30.48 [1.200]	12	△	1-147728-1
	25.4 [1.000]	27.94 [1.100]	11	△	1-147728-0
	22.86 [.900]	25.4 [1.000]	10	△	147728-9
	20.32 [.800]	22.86 [.900]	9	△	147728-8
	17.78 [.700]	20.32 [.800]	8	△	147728-7
	15.24 [.600]	17.78 [.700]	7	△	147728-6
	12.7 [.500]	15.24 [.600]	6	△	147728-5
	10.16 [.400]	12.7 [.500]	5	△	147728-4
24mm	7.62 [.300]	10.16 [.400]	4	△	147728-3
	5.08 [.200]	7.62 [.300]	3	△	147728-2
EIA TAPE WIDTH	2.54 [.100]	5.08 [.200]	2	△	147728-1

9 11 OBSOLETE

EIA TAPE WIDTH	B	A	NO OF POSN	FINISH	PART NUMBER
2.54 [.100]	5.08 [.200]	10.16 [.400]	2	△	147728-1

THIS DRAWING IS A CONTROLLED DOCUMENT.		DWN R BROWN 19JAN01	TE Connectivity Ltd.
DIMENSIONS: mm [INCHES]		DW J OLSON 19JAN01	
TOLERANCES UNLESS OTHERWISE SPECIFIED:		APVD J OLSON 19JAN01	REC. ASSY., MOD IV, SR, .100 CL, SURFACE MOUNT, VRT. DUAL ENTRY CLOSED ENTRY
0 PLC ± - 1 PLC ± - 2 PLC ± .005 3 PLC ± - 4 PLC ± - ANGLES ± -		NAME	
MATERIAL		PRODUCT SPEC	SIZE
FINISH		APPLICATION SPEC	CAGE CODE
		WEIGHT	DRAWING NO
		CUSTOMER DRAWING	REV
		SCALE	SHEET
			OF
			2
			REV
			H6

REVISIONS				
P	LTR	DESCRIPTION	DATE	APPD
-	-	SEE SHEET 1	-	-

- 1 HOUSING: FLAME RETARDANT, GLASS FILLED, POLYESTER, COLOR: BLACK.
CONTACT: PHOSPHOR BRONZE
VACUUM COVER: STAINLESS STEEL
- 2 CONTACT: DUPLEX PLATED 0.25µm[.000010] GOLD IN CONTACT AREA, 3.81-7.62µm[.000150-.000300] BRIGHT TIN-LEAD ON, LEADS, ALL OVER 1.27µm[.000050] MINIMUM NICKEL
- 3 THESE DIMENSIONS PERTAIN TO CAVITY CENTERLINES ONLY NOT TO CONTACT LOCATIONS
- 4 POINT OF MEASUREMENT DIMENSION FOR PLATING THICKNESS (INSIDE CONTACT BEAM).
- 5 POINT-OF-CONTACT DIMENSION.
- 6 MARK PART NUMBER AND DATE CODE IN APPROXIMATE LOCATION SHOWN, EITHER SIDE.
- 7 TOLERANCE IS NON-CUMULATIVE.
- 8 5.2[.205] MIN TARGET AREA FOR VACUUM PICK UP. COVER TO BE REMOVED AFTER SOLDERING.
- 9 FOR 2 POSITION DATE CODE IS MARKED OPPOSITE SIDE OF TE LOGO.
- 10 TE TRADEMARK AND CSA LOGO ARE MOLDED INTO HOUSING.
- 11 NO PART NUMBER MARKING REQUIRED ON THIS PART.
- 12 CONTACT: DUPLEX PLATED 0.25µm[.000010] GOLD IN CONTACT AREA, 3.81-7.62µm[.000150-.000300] MATTE TIN ON LEADS, ALL OVER 1.27µm[.000050] MINIMUM NICKEL.
- 13 ROHS 2002/95/EC COMPLIANT.
- 14 OBSOLETE

120mm	99.06 [3.900]	101.6 [4.000]	40	12	13	8-147728-9
	96.52 [3.800]	99.06 [3.900]	39	12	13	8-147728-8
	93.98 [3.700]	96.52 [3.800]	38	12	13	8-147728-7
	91.44 [3.600]	93.98 [3.700]	37	12	13	8-147728-6
	88.90 [3.500]	91.44 [3.600]	36	12	13	8-147728-5
	86.34 [3.400]	88.90 [3.500]	35	12	13	8-147728-4
	83.82 [3.300]	86.34 [3.400]	34	12	13	8-147728-3
	81.28 [3.200]	83.82 [3.300]	33	12	13	8-147728-2
	78.74 [3.100]	81.28 [3.200]	32	12	13	8-147728-1
	76.20 [3.000]	78.74 [3.100]	31	12	13	8-147728-0
	73.66 [2.900]	76.20 [3.000]	30	12	13	7-147728-9
	71.12 [2.800]	73.66 [2.900]	29	12	13	7-147728-8
	68.58 [2.700]	71.12 [2.800]	28	12	13	7-147728-7
	66.04 [2.600]	68.58 [2.700]	27	12	13	7-147728-6
88mm	63.5 [2.500]	66.04 [2.600]	26	12	13	7-147728-5
	60.96 [2.400]	63.5 [2.500]	25	12	13	7-147728-4
	58.42 [2.300]	60.96 [2.400]	24	12	13	7-147728-3
	55.88 [2.200]	58.42 [2.300]	23	12	13	7-147728-2
	53.34 [2.100]	55.88 [2.200]	22	12	13	7-147728-1
72mm	50.8 [2.000]	53.34 [2.100]	21	12	13	7-147728-0
	48.26 [1.900]	50.8 [2.000]	20	12	13	6-147728-9
	45.72 [1.800]	48.26 [1.900]	19	12	13	6-147728-8
	43.18 [1.700]	45.72 [1.800]	18	12	13	6-147728-7
	40.64 [1.600]	43.18 [1.700]	17	12	13	6-147728-6
	38.1 [1.500]	40.64 [1.600]	16	12	13	6-147728-5
	35.56 [1.400]	38.1 [1.500]	15	12	13	6-147728-4
	33.02 [1.300]	35.56 [1.400]	14	12	13	6-147728-3
	30.48 [1.200]	33.02 [1.300]	13	12	13	6-147728-2
	27.94 [1.100]	30.48 [1.200]	12	12	13	6-147728-1
44mm	25.4 [1.000]	27.94 [1.100]	11	12	13	6-147728-0
	22.86 [.900]	25.4 [1.000]	10	12	13	5-147728-9
	20.32 [.800]	22.86 [.900]	9	12	13	5-147728-8
	17.78 [.700]	20.32 [.800]	8	12	13	5-147728-7
	15.24 [.600]	17.78 [.700]	7	12	13	5-147728-6
	12.7 [.500]	15.24 [.600]	6	12	13	5-147728-5
	10.16 [.400]	12.7 [.500]	5	12	13	5-147728-4
	7.62 [.300]	10.16 [.400]	4	12	13	5-147728-3
	5.08 [.200]	7.62 [.300]	3	12	13	5-147728-2
	2.54 [.100]	5.08 [.200]	2	12	13	5-147728-1
9 11	OBSOLETE					
EIA TAPE WIDTH	B	A	NO OF POSN	FINISH	PART NUMBER	

THIS DRAWING IS A CONTROLLED DOCUMENT.

DIMENSIONS: mm [INCHES]	TOLERANCES UNLESS OTHERWISE SPECIFIED:	0 PLC ± -	1 PLC ± -	2 PLC ± -.005	3 PLC ± -	4 PLC ± -	ANGLES ± -
----------------------------	--	-----------	-----------	---------------	-----------	-----------	------------

MATERIAL: 1 FINISH: 2-12

DRW: R BROWN 19JAN01	CHK: J OLSON 19JAN01	APVD: J OLSON 19JAN01	NAME: J OLSON
PRODUCT SPEC: 108-25026	APPLICATION SPEC: 114-25018	SIZE: A1	CAGE CODE: 00779
REVISIONS: 1	DRAWING NO: 147728	SCALE: 1:1	SHEET: 2 OF 2

STE TE Connectivity Ltd.
 REC. ASSY., MOD IV, SR, .100 CL, SURFACE MOUNT, VRT, DUAL ENTRY CLOSED ENTRY
 CUSTOMER DRAWING

Mouser Electronics

Authorized Distributor

Click to View Pricing, Inventory, Delivery & Lifecycle Information:

[TE Connectivity:](#)

[6-147728-3](#)