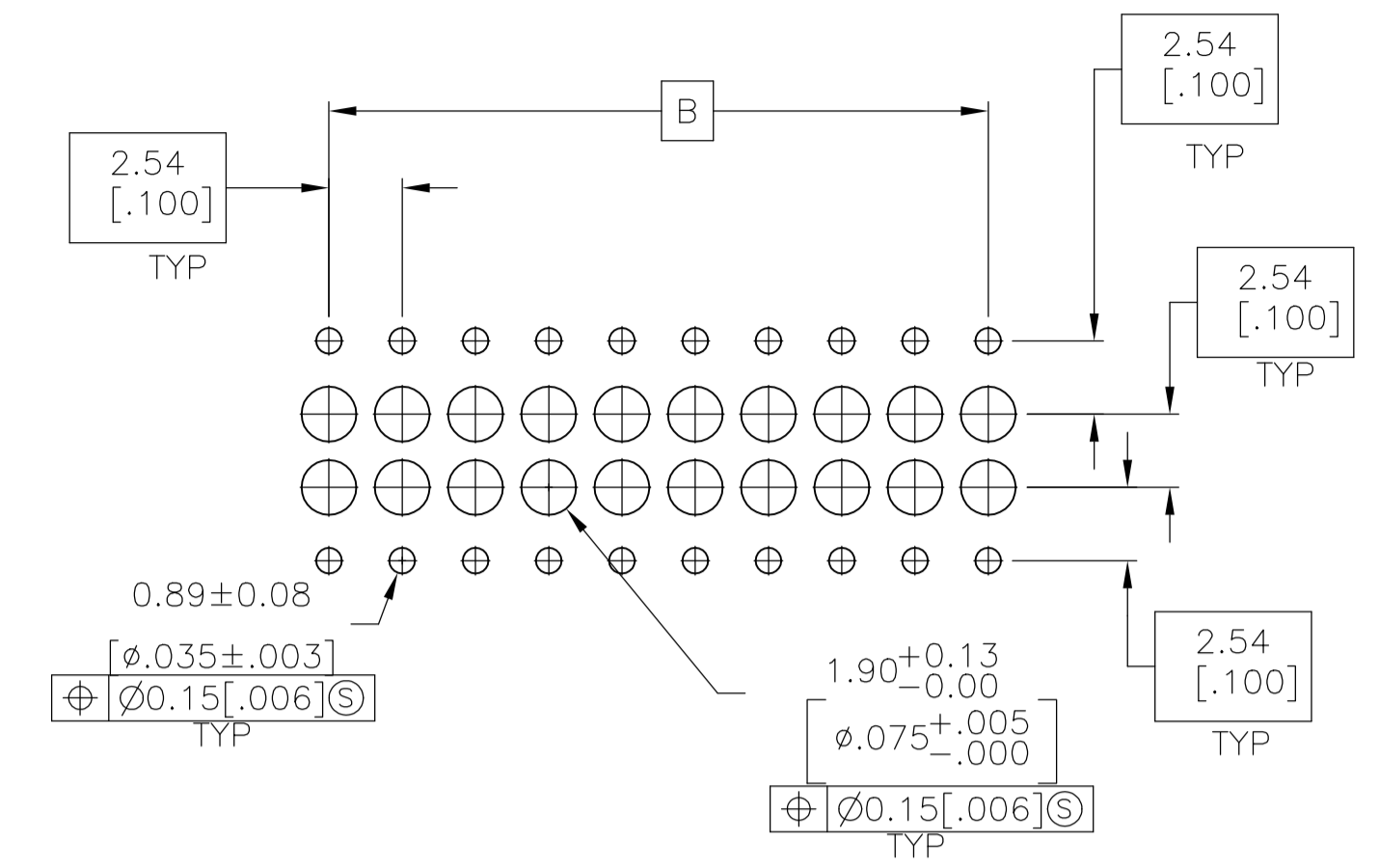
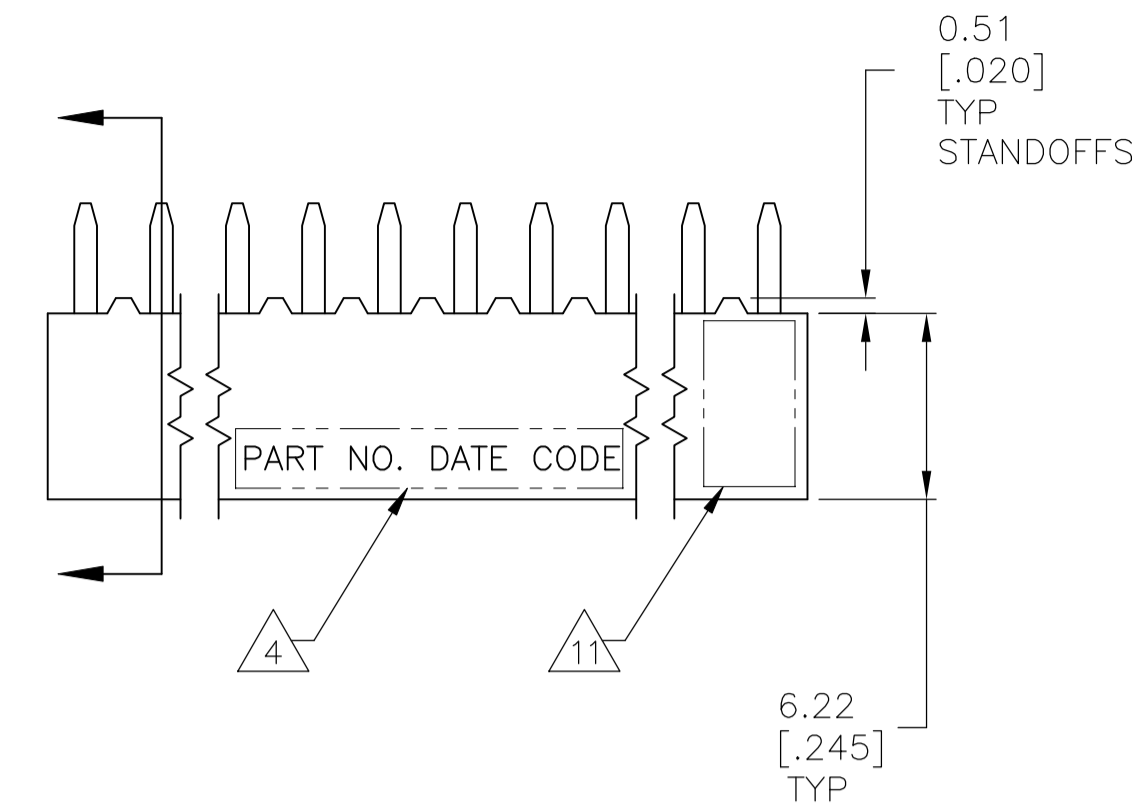
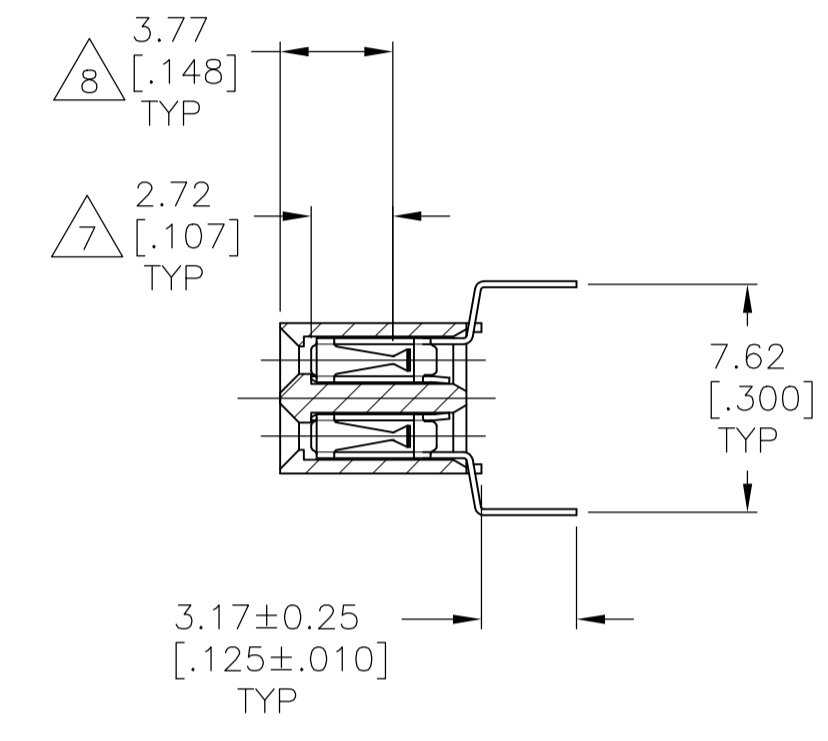
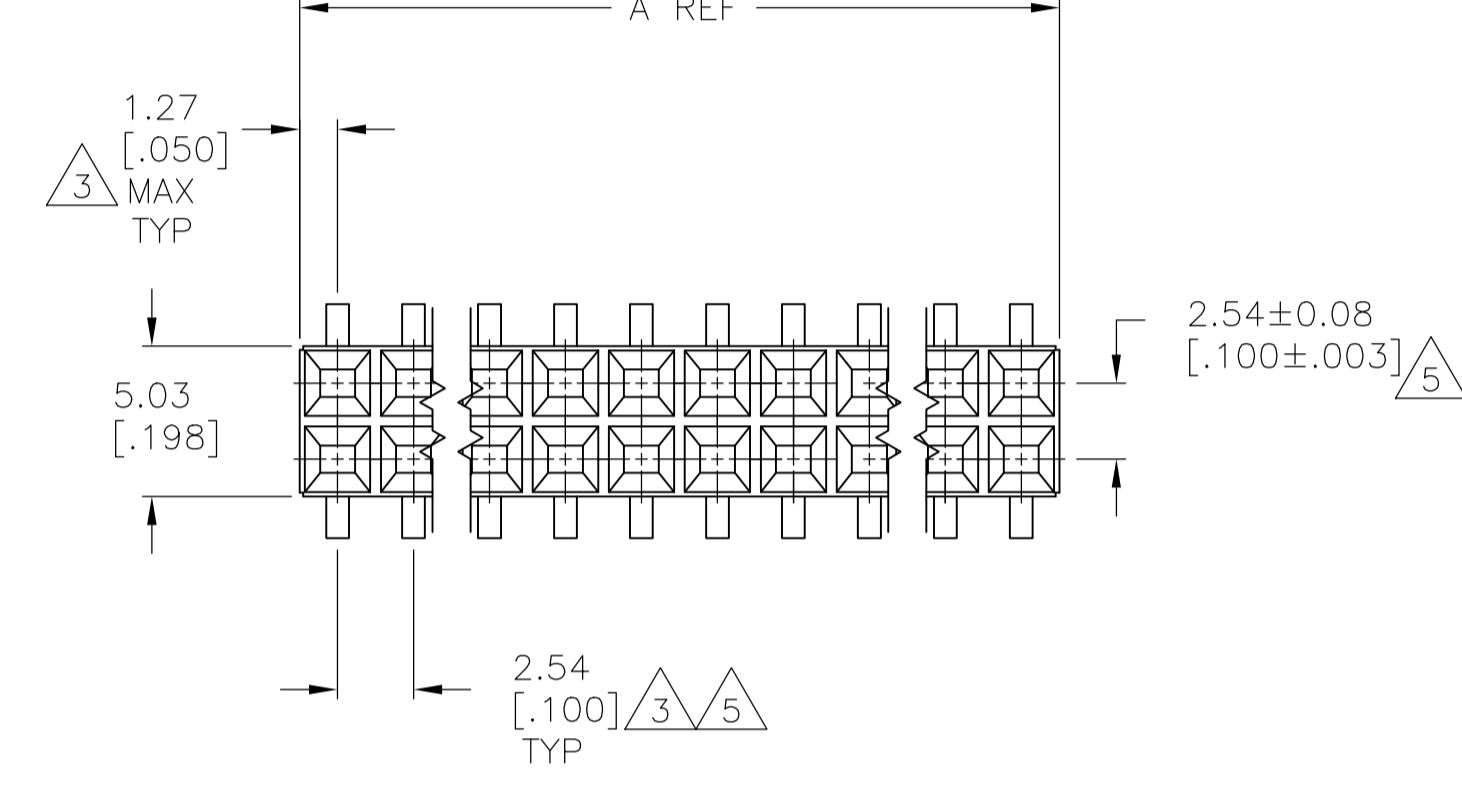


REVISIONS				
REV	DATE	BY	APPD	DESCRIPTION
K5	12JAN2018	SD	PS	ECR-16-016231



RECOMMENDED PC BOARD HOLE PATTERN  
PC BOARD THICKNESS 1.57[0.062]



REV	DATE	BY	APPD	DESCRIPTION
9				SUPERSEDED BY 6-147100-6
10				43.18[1.700] 45.72[1.800] 36 4-147100-1
11				2.54[0.100] 5.08[0.200] 4 4-147100-0
12				2.54[0.100] 2 3-147100-9
13				99.06[3.900] 101.60[4.000] 80 3-147100-8
14				96.52[3.800] 99.06[3.900] 78 3-147100-7
15				93.98[3.700] 96.52[3.800] 76 3-147100-6
16				91.44[3.600] 93.98[3.700] 74 3-147100-5
17				88.90[3.500] 91.44[3.600] 72 3-147100-4
18				86.36[3.400] 88.90[3.500] 70 3-147100-3
19				83.82[3.300] 86.36[3.400] 68 3-147100-2
20				81.28[3.200] 83.82[3.300] 66 3-147100-1
21				78.74[3.100] 81.28[3.200] 64 3-147100-0
22				76.20[3.000] 78.74[3.100] 62 2-147100-9
23				73.66[2.900] 76.20[3.000] 60 2-147100-8
24				71.12[2.800] 73.66[2.900] 58 2-147100-7
25				68.58[2.700] 71.12[2.800] 56 2-147100-6
26				66.04[2.600] 68.58[2.700] 54 2-147100-5
27				63.50[2.500] 66.04[2.600] 52 2-147100-4
28				60.96[2.400] 63.50[2.500] 50 2-147100-3
29				58.42[2.300] 60.96[2.400] 48 2-147100-2
30				55.88[2.200] 58.42[2.300] 46 2-147100-1
31				53.34[2.100] 55.88[2.200] 44 2-147100-0
32				50.80[2.000] 53.34[2.100] 42 1-147100-9
33				48.26[1.900] 50.80[2.000] 40 1-147100-8
34				45.72[1.800] 48.26[1.900] 38 1-147100-7
35				43.18[1.700] 45.72[1.800] 36 1-147100-6
36				40.64[1.600] 43.18[1.700] 34 1-147100-5
37				38.10[1.500] 40.64[1.600] 32 1-147100-4
38				35.56[1.400] 38.10[1.500] 30 1-147100-3
39				33.02[1.300] 35.56[1.400] 28 1-147100-2
40				30.48[1.200] 33.02[1.300] 26 1-147100-1
41				27.94[1.100] 30.48[1.200] 24 1-147100-0
42				25.40[1.000] 27.94[1.100] 22 147100-9
43				22.86[0.900] 25.40[1.000] 20 147100-8
44				20.32[0.800] 22.86[0.900] 18 147100-7
45				17.78[0.700] 20.32[0.800] 16 147100-6
46				15.24[0.600] 17.78[0.700] 14 147100-5
47				12.70[0.500] 15.24[0.600] 12 147100-4
48				10.16[0.400] 12.70[0.500] 10 147100-3
49				7.62[0.300] 10.16[0.400] 8 147100-2
50				5.08[0.200] 7.62[0.300] 6 147100-1

- 1 HOUSING: FLAME RETARDANT, GLASS FILLED, THERMOPLASTIC, COLOR: BLACK. CONTACT: PHOSPHOR BRONZE
- 2 CONTACT: 2.54-5.08µm[0.00100-0.00200] TIN-LEAD OVER 1.27µm[0.00050] NICKEL.
- 3 THESE DIMENSIONS PERTAIN TO CAVITY CENTERLINES ONLY - NOT TO CONTACT LOCATIONS
- 4 MARK PART NUMBER AND DATE CODE IN APPROXIMATE LOCATION SHOWN, EITHER SIDE.
- 5 TOLERANCE IS NON-CUMULATIVE.
- 6 2 POSITION DATE CODE IS MARKED OPPOSITE SIDE OF TE LOGO.
- 7 POINT-OF-MEASUREMENT DIMENSION FOR PLATING THICKNESS (INSIDE CONTACT BEAM).
- 8 POINT-OF-CONTACT DIMENSION.
- 9 CONTACT: 3.81-7.62µm[0.00150-0.00300] TIN OVER 1.27µm[0.00050] NICKEL.
- 10 ROHS 2002/95/EC COMPLIANT PART.
- 11 TE TRADEMARK AND CSA LOGO ARE MOLDED INTO HOUSING, THIS LOCATION.
- 12 NO PART NUMBER MARKING REQUIRED FOR THIS PART.

FINISH	B	A	NO OF POSN	PART NUMBER
	2.54[0.100]	5.08[0.200]	4	9-147100-0
		2.54[0.100]	2	8-147100-9
	99.06[3.900]	101.60[4.000]	80	8-147100-8
	96.52[3.800]	99.06[3.900]	78	8-147100-7
	93.98[3.700]	96.52[3.800]	76	8-147100-6
	91.44[3.600]	93.98[3.700]	74	8-147100-5
	88.90[3.500]	91.44[3.600]	72	8-147100-4
	86.36[3.400]	88.90[3.500]	70	8-147100-3
	83.82[3.300]	86.36[3.400]	68	8-147100-2
	81.28[3.200]	83.82[3.300]	66	8-147100-1
	78.74[3.100]	81.28[3.200]	64	8-147100-0
	76.20[3.000]	78.74[3.100]	62	7-147100-9
	73.66[2.900]	76.20[3.000]	60	7-147100-8
	71.12[2.800]	73.66[2.900]	58	7-147100-7
	68.58[2.700]	71.12[2.800]	56	7-147100-6
	66.04[2.600]	68.58[2.700]	54	7-147100-5
	63.50[2.500]	66.04[2.600]	52	7-147100-4
	60.96[2.400]	63.50[2.500]	50	7-147100-3
	58.42[2.300]	60.96[2.400]	48	7-147100-2
	55.88[2.200]	58.42[2.300]	46	7-147100-1
	53.34[2.100]	55.88[2.200]	44	7-147100-0
	50.80[2.000]	53.34[2.100]	42	6-147100-9
	48.26[1.900]	50.80[2.000]	40	6-147100-8
	45.72[1.800]	48.26[1.900]	38	6-147100-7
	43.18[1.700]	45.72[1.800]	36	6-147100-6
	40.64[1.600]	43.18[1.700]	34	6-147100-5
	38.10[1.500]	40.64[1.600]	32	6-147100-4
	35.56[1.400]	38.10[1.500]	30	6-147100-3
	33.02[1.300]	35.56[1.400]	28	6-147100-2
	30.48[1.200]	33.02[1.300]	26	6-147100-1
	27.94[1.100]	30.48[1.200]	24	6-147100-0
	25.40[1.000]	27.94[1.100]	22	5-147100-9
	22.86[0.900]	25.40[1.000]	20	5-147100-8
	20.32[0.800]	22.86[0.900]	18	5-147100-7
	17.78[0.700]	20.32[0.800]	16	5-147100-6
	15.24[0.600]	17.78[0.700]	14	5-147100-5
	12.70[0.500]	15.24[0.600]	12	5-147100-4
	10.16[0.400]	12.70[0.500]	10	5-147100-3
	7.62[0.300]	10.16[0.400]	8	5-147100-2
	5.08[0.200]	7.62[0.300]	6	5-147100-1

OBSOLETE

SUPERSEDED 6-147100-6

SUPERSEDED 5-147100-6

THIS DRAWING IS A CONTROLLED DOCUMENT. DIMENSIONS: mm [INCHES]. TOLERANCES: UNLESS OTHERWISE SPECIFIED: 0 PLG ±, 1 PLG ±, 2 PLG ± 0.13[0.005], 3 PLG ±, 4 PLG ±, ANGLES ±.

FINISH: SEE TABLE

MATERIAL: 1

APPROVED: J. OLSON

DATE: 06NOV02

NAME: J. OLSON

PRODUCT SPEC: 108-25022

APPLICATION SPEC: 114-25018

SIZE: A1

CAGE CODE: 00779

DRAWING NO: 147100

RESTRICTED TO: CUSTOMER DRAWING

SCALE: 4:1

SHEET: 1 OF 1

REV: K5

STE TE Connectivity Ltd.

AMP/ODU, REC ASSY, MOD IV DBL ROW, DUAL ENTRY, .100X.100CL, VERTICAL MOUNT

# Mouser Electronics

Authorized Distributor

Click to View Pricing, Inventory, Delivery & Lifecycle Information:

[TE Connectivity:](#)

[5-147100-6](#)