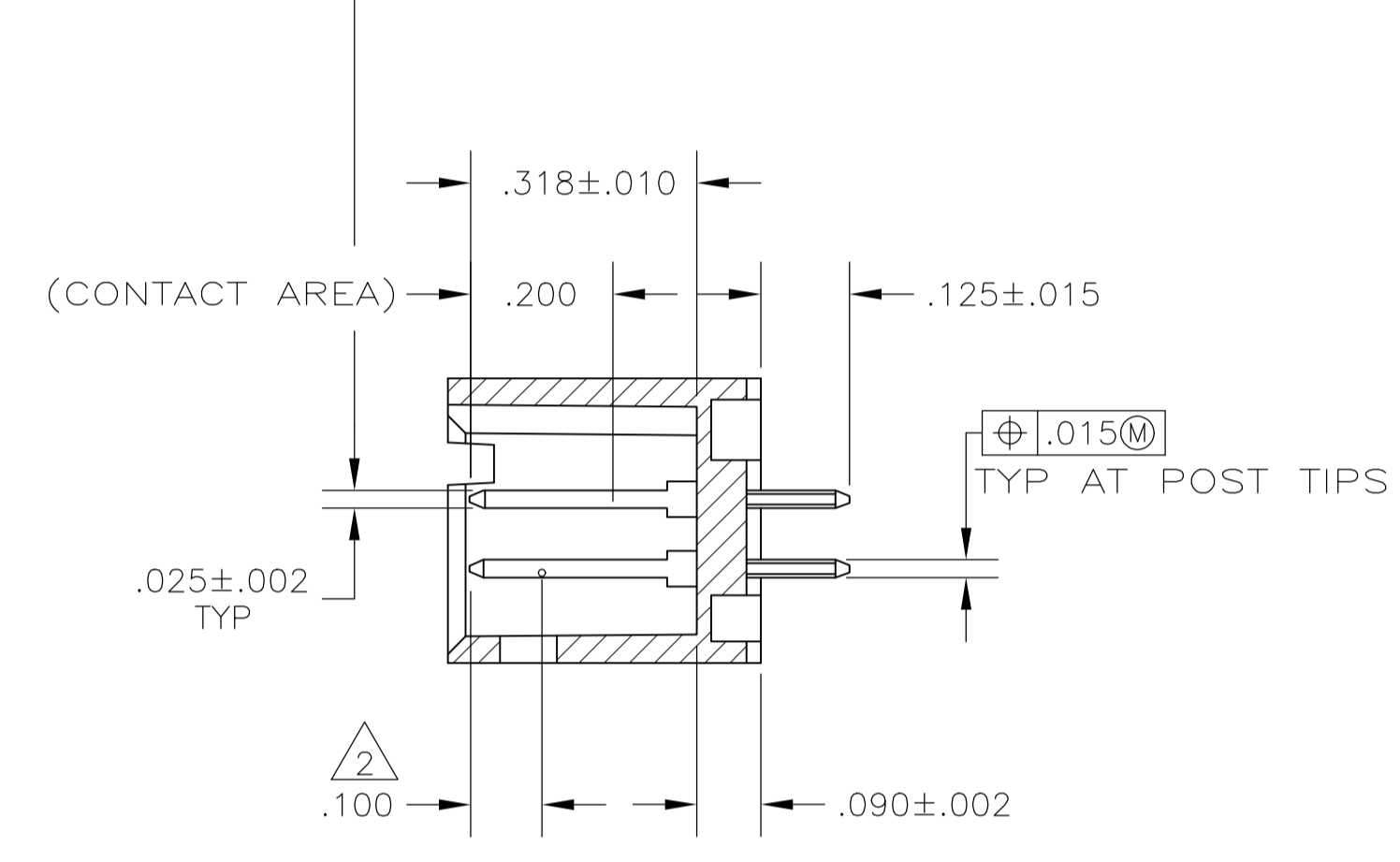
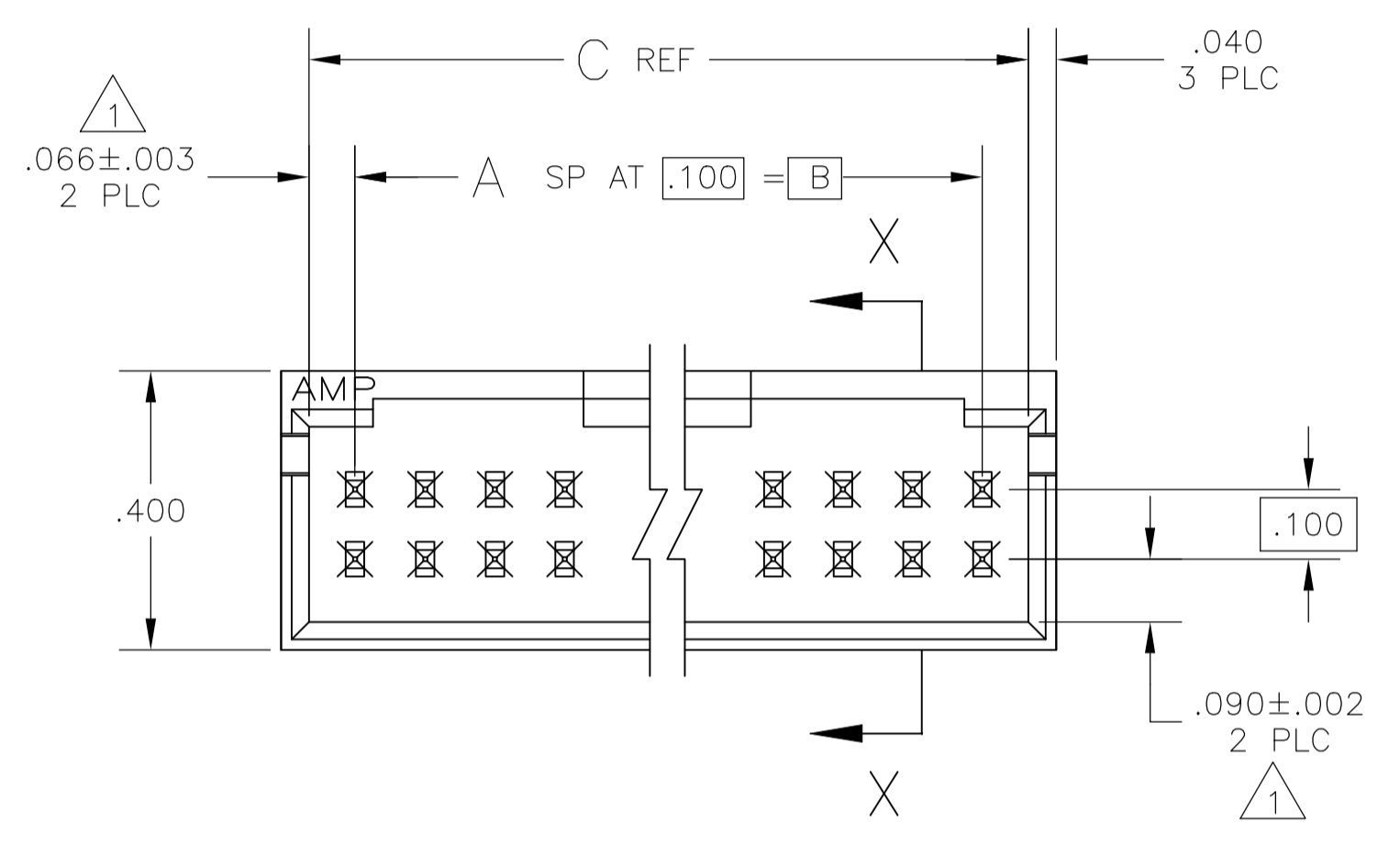
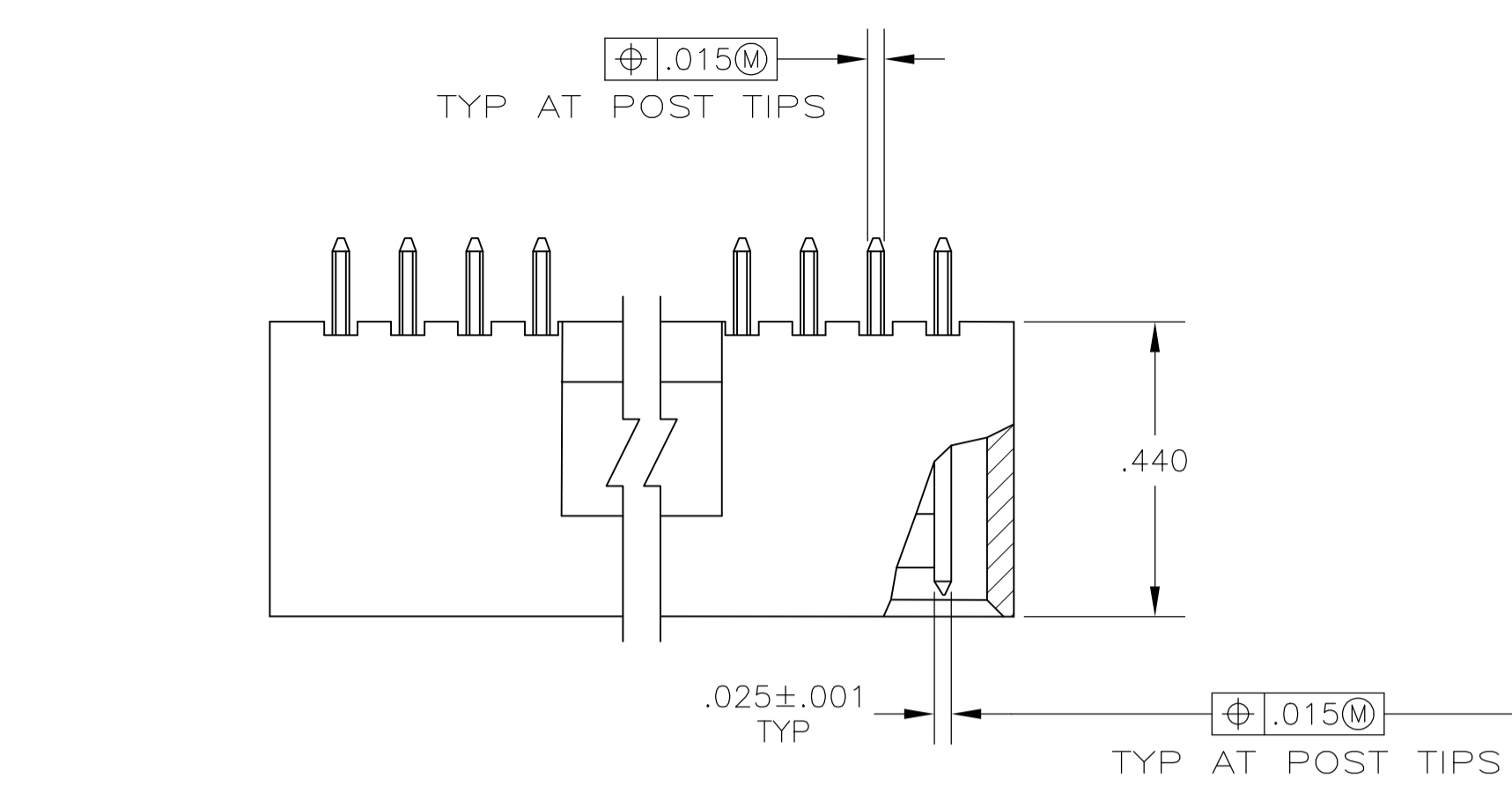
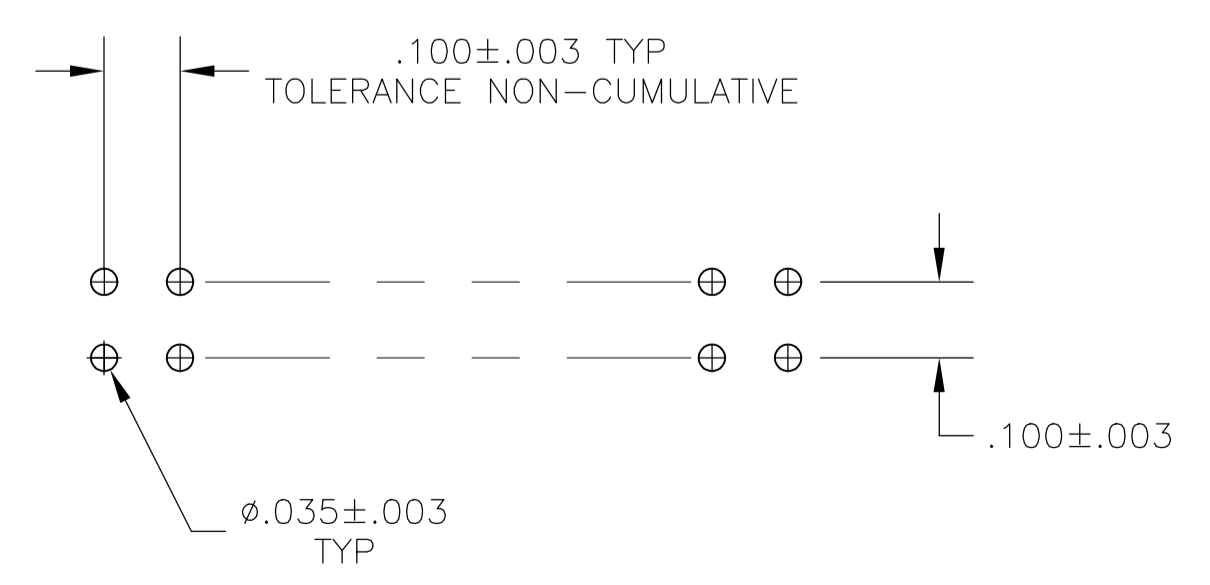
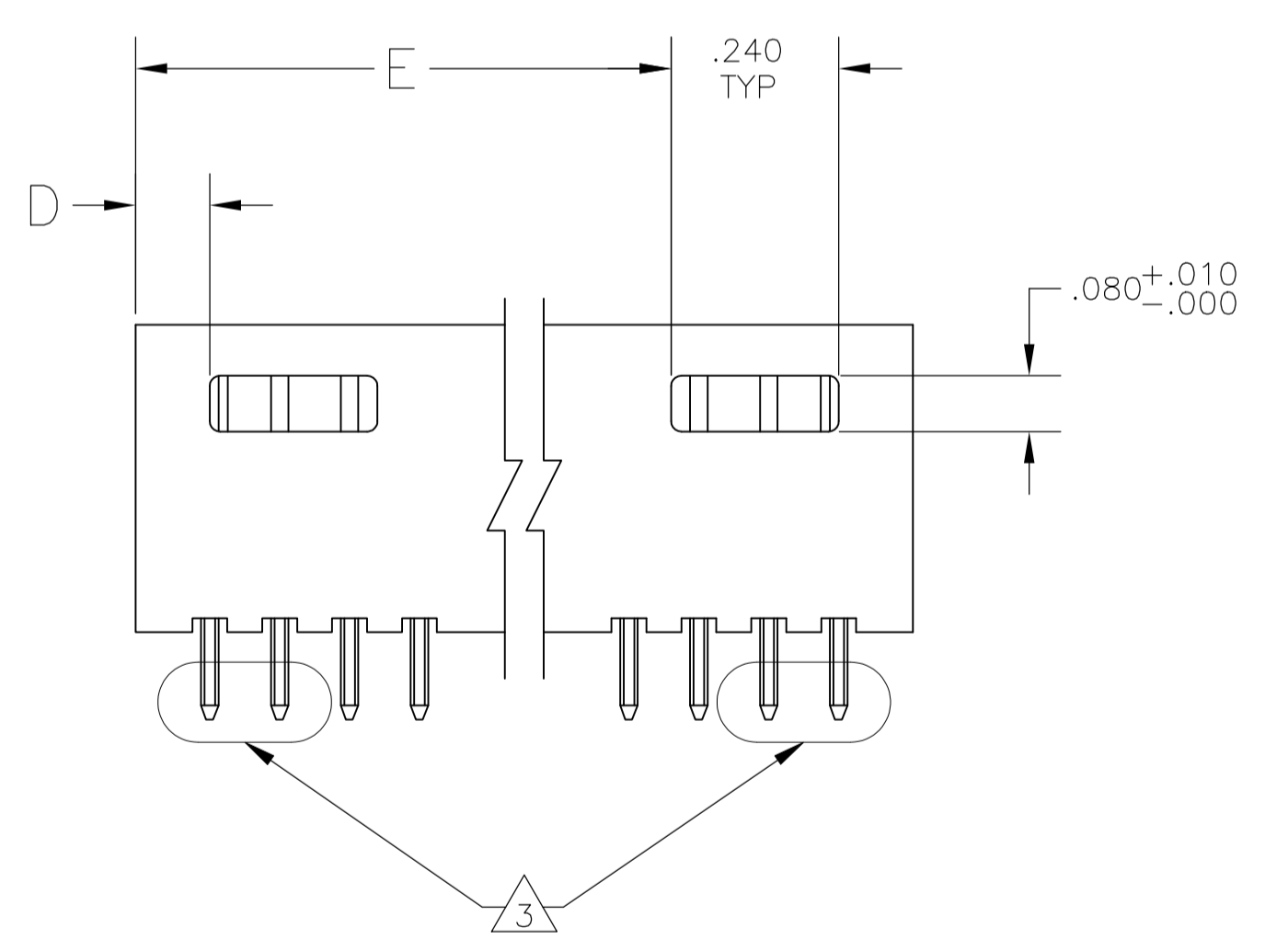


REVISIONS				
P	LTR	DESCRIPTION	DATE	APP'D
B1		PART STATUS UPATED IN PART LIST TABLE	15FEB2018	SD PS



SECTION X-X



RECOMMENDED HOLE LAYOUT

- ① THE NOTED DIMENSIONS APPLY AT THE INTERSECTION OF THE POST AND HOUSING
- ② POINT OF MEASUREMENT FOR PLATING THICKNESS
- ③ RETENTIVE POST FEATURE, BOTH ROWS.
- ④ POSTS: .000030 GOLD IN CONTACT AREA, .000100-.000200 MATTE TIN-LEAD ON SOLDER TAIL, ALL OVER .0000050 NICKEL.
- ⑤ POSTS: .000030 GOLD IN CONTACT AREA, .000100-.000200 MATTE TIN ON SOLDER TAIL, ALL OVER .0000050 NICKEL.
- ⑥ OBSOLETE

PLATING	E	D	C	B	A	NO OF POSN	ASSEMBLY PART NUMBER
⑤	.306	.832	.700	7	16	5-147004-1	
④	.306	.832	.700	7	16	147004-1	

THIS DRAWING IS A CONTROLLED DOCUMENT.

DWN: E. BRANDBERG 01 OCT 96
 DWR: S. SHUEY 01 OCT 96
 APVD: S. SHUEY 01 OCT 96

TE Connectivity

HDR ASSY, MOD II, SHROUDED
 4 SIDES, DBL ROW, .100X.100 C/L
 WITH .025 SQ POSTS

SIZE: A1 CAGE CODE: 00779 DRAWING NO: 147004

SCALE: 4:1 SHEET: 1 OF 1 REV: B1

Mouser Electronics

Authorized Distributor

Click to View Pricing, Inventory, Delivery & Lifecycle Information:

[TE Connectivity:](#)

[5-147004-1](#)