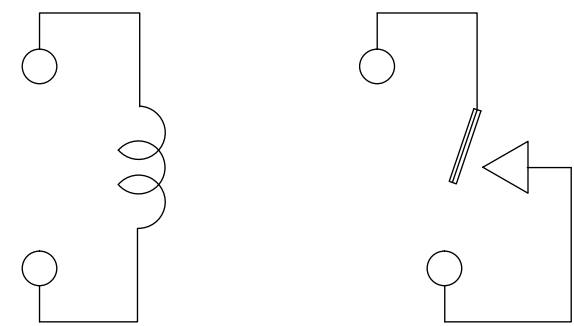
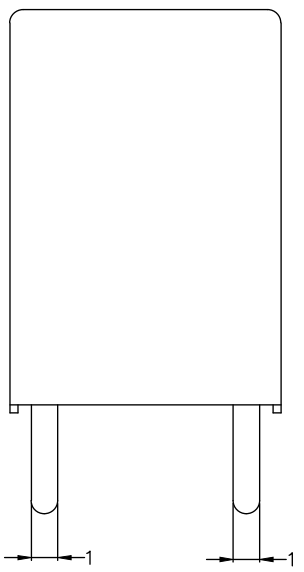
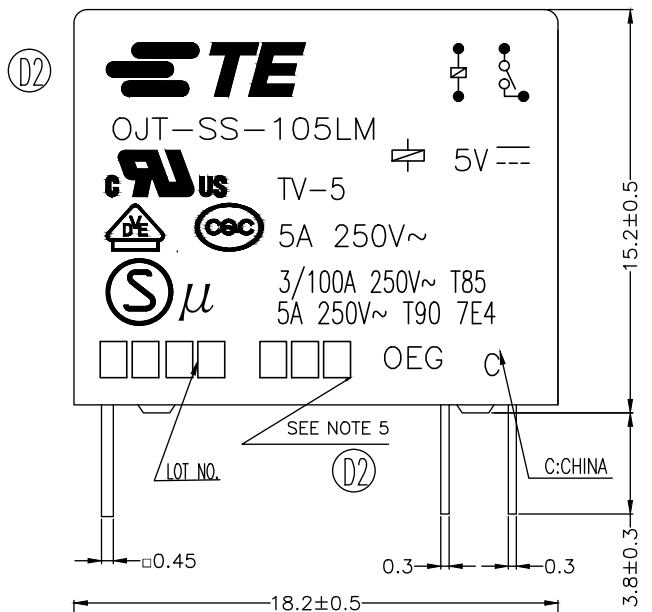


THIS DRAWING IS UNPUBLISHED. RELEASED FOR PUBLICATION  
 © COPYRIGHT - By - TE CONNECTIVITY ALL RIGHTS RESERVED.

LOC	DIST	REVISIONS				
P	LTR	DESCRIPTION	DATE	DWN	APVD	
HB	-	E	UNIFY GROOVE OF GLUE ECO-15-012528	27Aug2015	YS.H	CSM



CONNECTION FIGURE

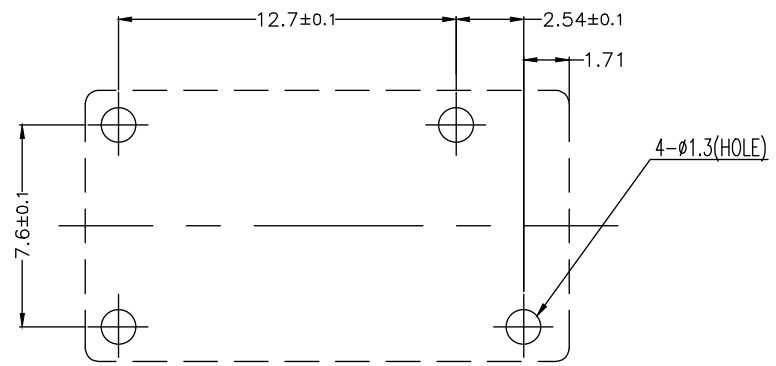
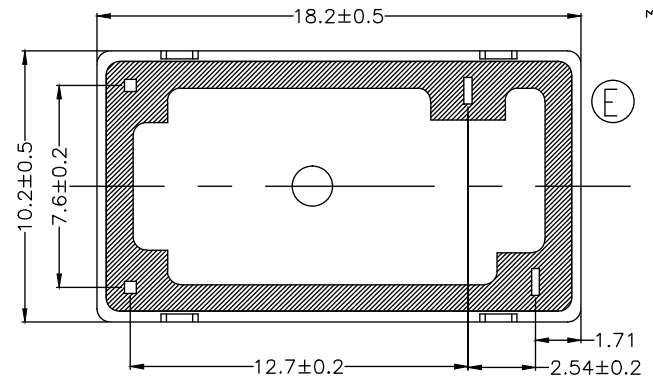


FIGURE FOR PRINTED CIRCUIT BOARD PROCESSING (BOTTOM VIEW)

Diagram dimension	Tolerance
0.99mm max.	±0.1mm
1 - 2.99mm	±0.2mm
3mm min.	±0.3mm



THIS DRAWING IS A CONTROLLED DOCUMENT.		DWN	Fu.Bo	-	<b>TE</b> TE Connectivity	
DIMENSIONS: mm		CHK	Zhang.XN	-		
TOLERANCES UNLESS OTHERWISE SPECIFIED:		APVD	Yang.Wen	-	NAME	
0 PLC ± -		PRODUCT SPEC	-	OJT-SS-1**LM.000 CUSTOMER DRAWING		
1 PLC ± -		APPLICATION SPEC	-	SIZE	CAGE CODE	DRAWING NO
2 PLC ± -		WEIGHT	-	A3	00779	1461492
3 PLC ± -		CUSTOMER DRAWING		RESTRICTED TO	-	
4 PLC ± -		SCALE 5:1		SHEET 1 OF 2		REV E
ANGLES ± -						
FINISH						
MATERIAL						

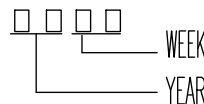
THIS DRAWING IS UNPUBLISHED. RELEASED FOR PUBLICATION  
 © COPYRIGHT - By - TE CONNECTIVITY ALL RIGHTS RESERVED.

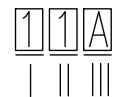
LOC	DIST	REVISIONS					
HB	-	P	LTR	DESCRIPTION	DATE	DWN	APVD
		-		SEE SHEET 1	-	-	-

107-79010	1461492-7	OJT-SS-124LM,000	24V	OJT-SS-124LM	g
107-79010	1461492-6	OJT-SS-118LM,000	18V	OJT-SS-118LM	f
107-79010	1461492-5	OJT-SS-112LM,000	12V	OJT-SS-112LM	e
107-79010	1461492-4	OJT-SS-109LM,000	9V	OJT-SS-109LM	d
107-79010	1461492-3	OJT-SS-106LM,000	6V	OJT-SS-106LM	c
107-79010	1461492-2	OJT-SS-105LM,000	5V	OJT-SS-105LM	b
107-79010	1461492-1	OJT-SS-103LM,000	3V	OJT-SS-103LM	a
PARKING SPEC	PART NO	EC TYPE NAME	PART B	PART A	TYPE

(C1)  
(D1)

RELAY TYPE

(B) NOTES:  
 1. LOT NO. SYSTEM AS FOLLOWING:  


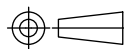
(D2) 5. ADD LOT NO. SYSTEM AS FOLLOWING;  
  
 I, DIGITS FOR DAY OF THE WEEK  
 1...MONDAY IN THIS WEEK;  
 2...TUESDAY IN THIS WEEK;  
 .....  
 7...SUNDAY IN THIS WEEK

(D2) 2. TERMINAL DIMENSION IS BEFORE SOLDER DIP;  
 (D2) 3. FOR THE TIN-PLATING OF THE PINS:  
 +0.1mm FOR WIDTH, THICKNESS AND DIAMETER.  
 +0.5mm FOR LENGTH.

(D2) 4. MARKING FROM INK TO LASER.

II, DIGITS FOR SHIFT OF THE DAY  
 1...DAY SHIFT IN THIS DAY;  
 2...NIGHT SHIFT IN THIS DAY;  
 III, ONE CHARACTER DISTINGUISH THE LINE  
 IDENTITY, SUCH AS: A,B,....Z

		EPOXY RESIN	SEAL (BASE & BOBBIN)	15
		3UEW	MAGNETIC WIRE	14
94V-0		P.B.T	CASE	13
94V-0		P.B.T	BASE	12
94V-0		P.B.T	BOBBIN	11
	SOLDER DIP	C.P WIRE	COIL TERMINAL	10
94V-0		P.B.T	CARD	9
		Ag ALLOY	MOVABLE CONTACT	8
		Ag ALLOY	NO.CONTACT	7
		STEEL	HINGE SPRING	6
	SOLDER DIP	PBP	NO.TERMINAL	5
	SOLDER DIP	Cu ALLOY	MOVABLE SPRING	4
	Cu-Ni PLATED	STEEL	CORE	3
	Cu-Ni PLATED	STEEL	ARMATURE	2
	Cu-Ni PLATED	STEEL	YOKE	1
INCOMBUSTIBILITY	TREATMENT	MATERIAL	DESCRIPTION	ITEM

THIS DRAWING IS A CONTROLLED DOCUMENT.		DWN	Fu.Bo	-
DIMENSIONS: mm		CHK	Zhang.XN	-
TOLERANCES UNLESS OTHERWISE SPECIFIED:		APVD	Yang.Wen	-
	0 PLC	± -	PRODUCT SPEC	-
	1 PLC	± -	APPLICATION SPEC	-
	2 PLC	± -	WEIGHT	-
	3 PLC	± -	CUSTOMER DRAWING	-
4 PLC	± -	SIZE	A3	00779
ANGLES	± -	CAGE CODE	C=	1461492
FINISH	-	DRAWING NO	1461492	RESTRICTED TO
MATERIAL	-	SCALE	5:1	SHEET 2 OF 2
		REV	E	



OJT-SS-1\*\*LM.000 CUSTOMER DRAWING

# Mouser Electronics

Authorized Distributor

Click to View Pricing, Inventory, Delivery & Lifecycle Information:

[TE Connectivity:](#)

[1461492-5](#)