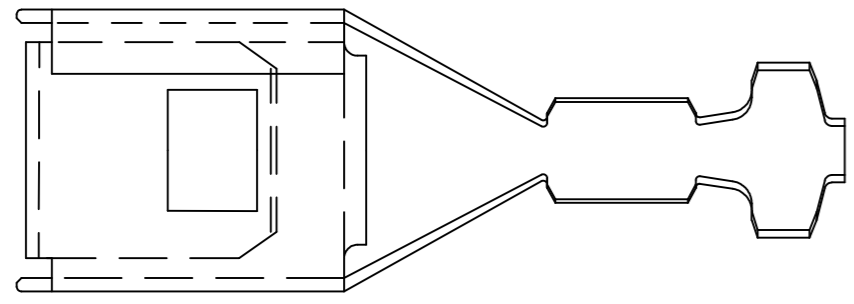
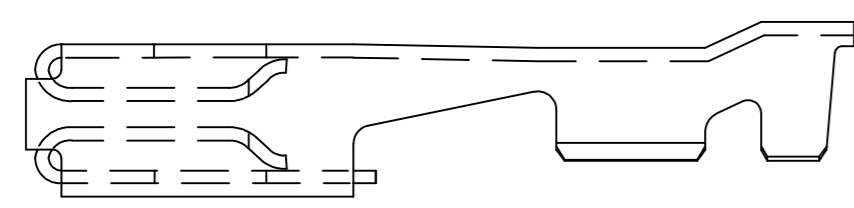


THIS DRAWING IS UNPUBLISHED. RELEASED FOR PUBLICATION --, 2018.
 © COPYRIGHT 2018 TE Connectivity ALL RIGHTS RESERVED.

| REVISIONS | | | | | |
|-----------|-----|---------------------------|-----------|-----|------|
| P | LTR | DESCRIPTION | DATE | DWN | APVD |
| D | | REVISED PER ECO-18-012722 | 14AUG2018 | JMS | WW |

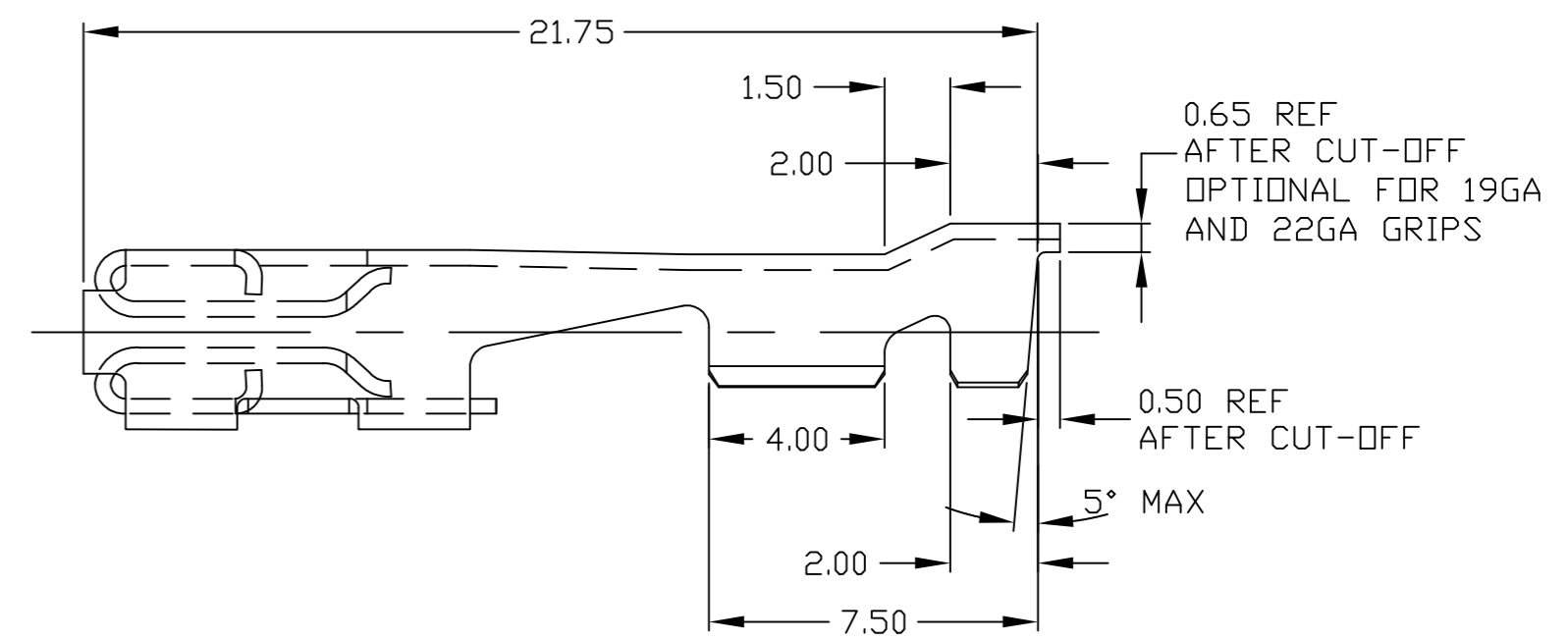
UNLESS OTHERWISE SPECIFIED:
 1. CA19400 BRASS, TENSILE STRENGTH: 379-455 MPg (55-66 KSI) (HARDNESS REF R30T 55-62)

D

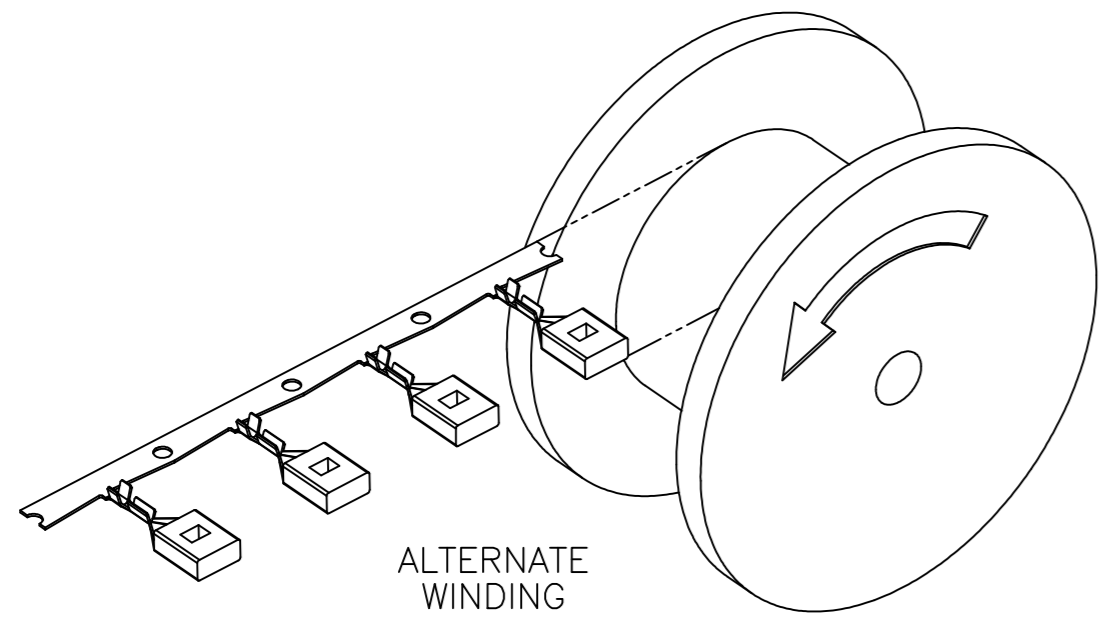


OPTIONAL CONSTRUCTION SHOWN

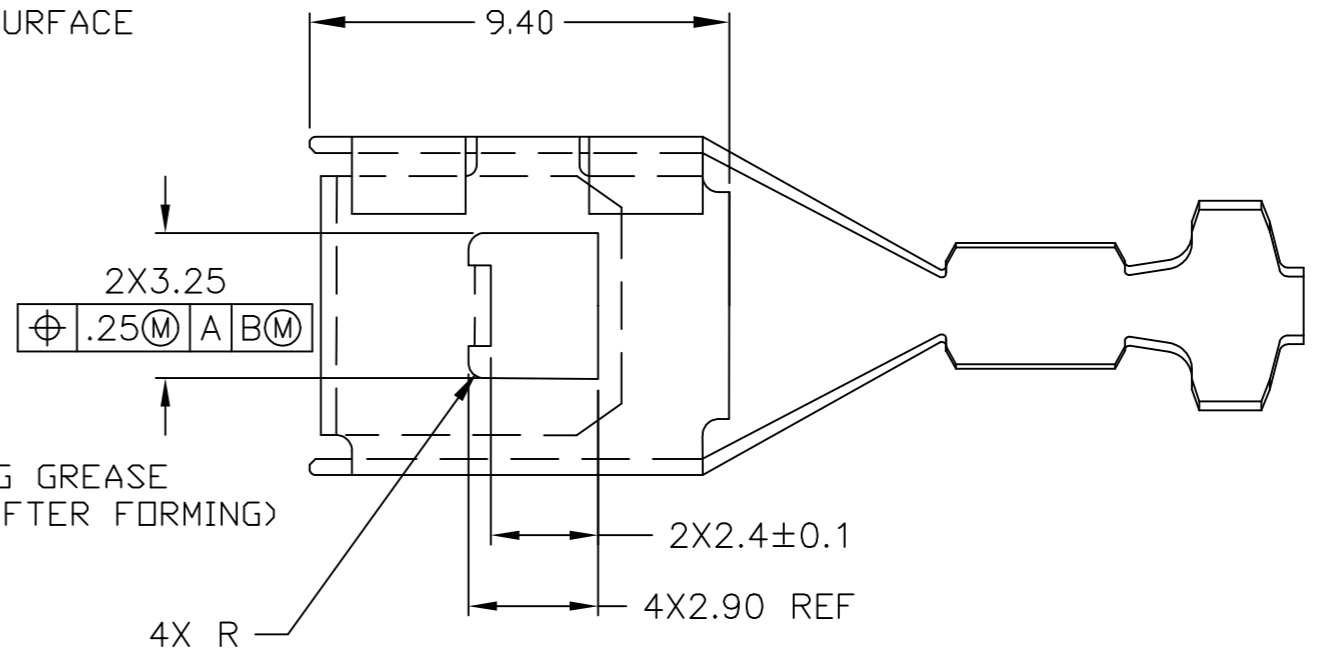
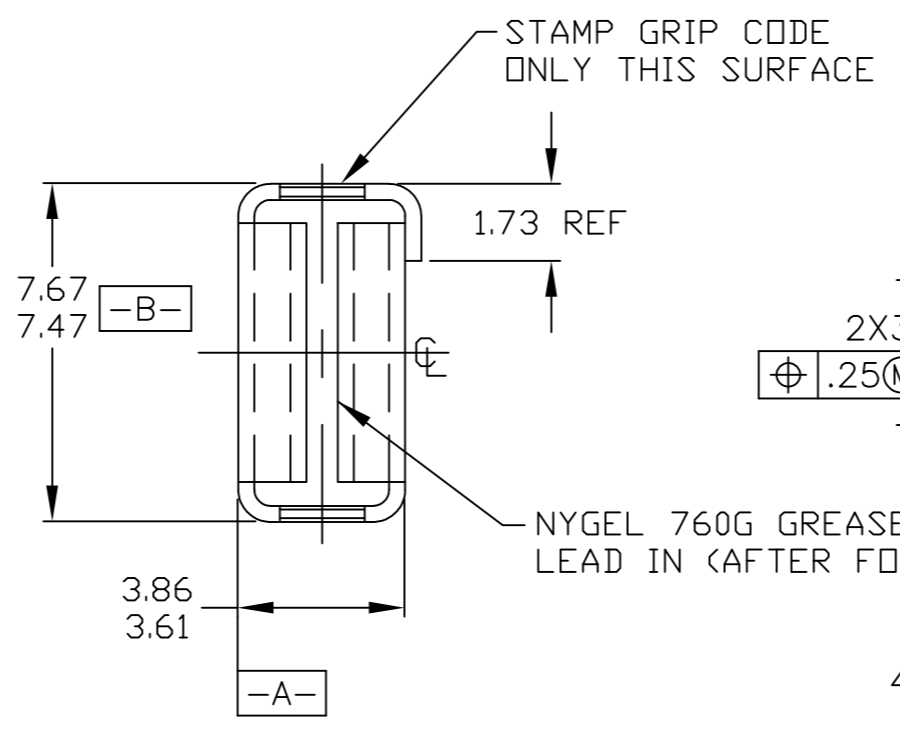
C



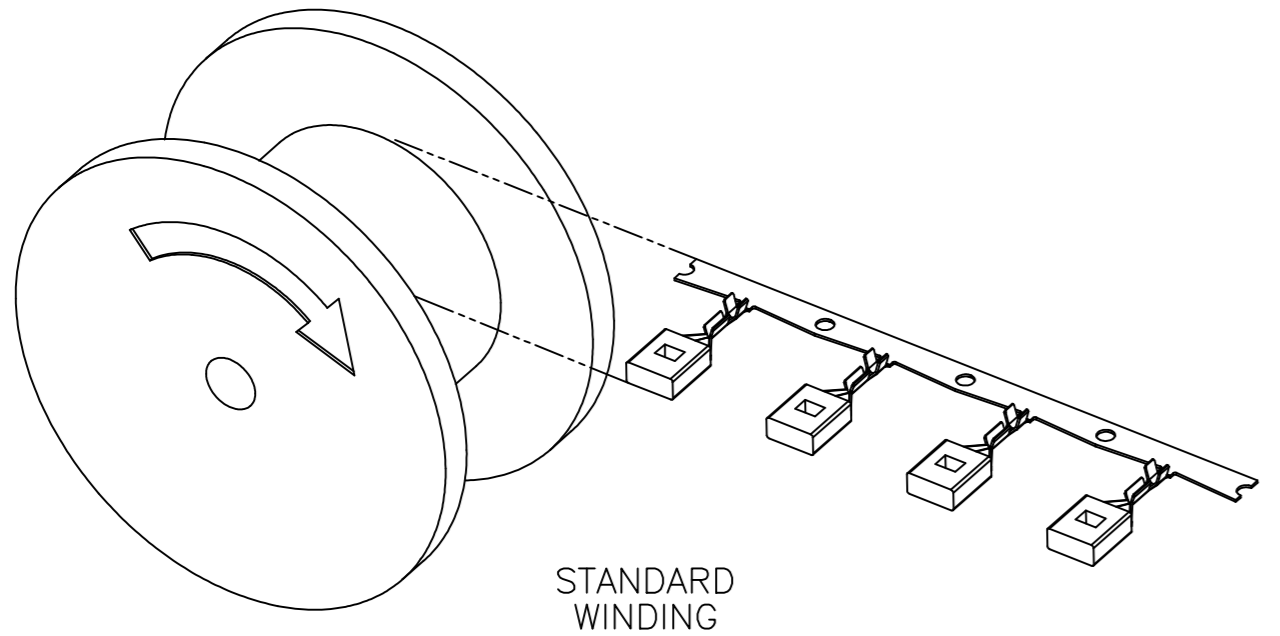
B



ALTERNATE WINDING



A



STANDARD WINDING

| TE P/N | TE P/N | TE P/N | WIRE SIZE | INSERTION-EXTRACTION REQUIREMENTS |
|-------------------|------------------|-------------|-----------|--|
| REWOUND | UNGREASED | GREASED | | |
| - | 1438231-7 | - | 22 | USING A POLISHED STEEL BLADE 6.22 [.245] X 0.81 [.032] FIRST INSERTION FORCE MAX 10.0N [2.2LBS] OR ANY INDIVIDUAL READING TO A DEPTH OF INSERTION OF 5.25/5.5 (UNGREASED AND GEASED) |
| - | 1438231-6 | - | 19 | |
| - | 1438231-5 | 3-1438231-3 | 18 | |
| 1438231-8 | 1438231-4 | 3-1438231-2 | 14 | |
| - | 1438231-3 | - | 13 | FOR S.P.C. WITH CPK OF 16.7 MIN MAX FIRST INSERTION 11.0N [2.42LBS] BOTH GREASED AND UNGREASED |
| - | 1438231-2 | - | 11 | |
| 1438231-9 | 1438231-1 | 3-1438231-1 | 10 | FOURTH EXTRACTION FORCE MIN 6.8N [15.8LBS] UNGREASED |
| ALTERNATE WINDING | STANDARD WINDING | | WIRE SIZE | FOURTH EXTRACTION FORCE MIN 4.0N [0.89LBS] (GREASED) |
| | | | | NOTE: REF ABOVE FOR INSERTION DEPTH |

THIS DRAWING IS A CONTROLLED DOCUMENT.

| | | | |
|------------------|--|--------------------------|---|
| DIMENSIONS: mm | TOLERANCES UNLESS OTHERWISE SPECIFIED: | DWN JR BUSSARD 09MAY2003 | TE Connectivity Ltd. |
| 0 PLC ± - | 1 PLC ± - | CHK DM REVAK 09MAY2003 | |
| 2 PLC ± 0.25 | 3 PLC ± - | APVD DM REVAK 09MAY2003 | CHART 250 TERMINAL FEMALE |
| 4 PLC ± - | ANGLES ± 2° | PRODUCT SPEC | SIZE CAGE CODE DRAWING NO RESTRICTED TO |
| MATERIAL | FINISH | APPLICATION SPEC | WEIGHT 0.000000 A2 00779 C=1438231 |
| CUSTOMER DRAWING | | | SCALE 5:1 SHEET 1 of 1 REV D |

Mouser Electronics

Authorized Distributor

Click to View Pricing, Inventory, Delivery & Lifecycle Information:

[TE Connectivity:](#)

[1438231-4](#)