

4

3

2

1


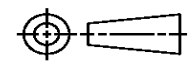
THIS DRAWING IS UNPUBLISHED. RELEASED FOR PUBLICATION
© COPYRIGHT ALL RIGHTS RESERVED.

LOC		DIST		REVISIONS			
P	LTR	DESCRIPTION		DATE	DWN	APVD	
	A1	ECR-13-019974		27DEC2013	RS	LZ	

REPLACED BY OCEAN STYLE APPLICATOR PART NUMBER 2151499-1

FOR REPLACEMENT PARTS FOR APPLICATOR 1426683
REFER TO ADDITIONAL PAGE(S). SPARE PARTS KIT (IF LISTED)
WILL REMAIN AVAILABLE.

THE REPLACEMENT OCEAN STYLE APPLICATOR HAS THE
SAME TERMINATOR/PRESS INTERFACE AS APPLICATOR
1426683

THIS DRAWING IS A CONTROLLED DOCUMENT.		DWN R.SHEN	 TE Connectivity			
DIMENSIONS:		CHK LJ.ZHANG				
		APVD U.GUO	NAME SIDE FEED HDI APPLICATOR			
TOLERANCES UNLESS OTHERWISE SPECIFIED:		PRODUCT SPEC	APPLICATION SPEC			
0 PLC ± 1 PLC ± 2 PLC ± 3 PLC ± 4 PLC ± ANGLES ±		WEIGHT	SIZE A3	CAGE CODE	DRAWING NO C-1426683	RESTRICTED TO
MATERIAL		CUSTOMER DRAWING		SCALE	SHEET 1 OF 2	REV A1

PART NUMBER	REV	TERMINATOR	FEED TYPE	DESCRIPTION
1426683-1	A	LEADMAKER	MECH POST FEED	CUTS CARRIER
1426683-2	A	BENCH	MECH PRE FEED	CUTS CARRIER
1426683-6	A	LEADMAKER	MECH POST FEED	CONTINUOUS CARRIER
7-1426683-1	A	LEADMAKER	MECH POST FEED	-1 AND SPARE PARTS
7-1426683-2	A	BENCH	MECH PRE FEED	-2 AND SPARE PARTS
7-1426683-6	A	LEADMAKER	MECH POST FEED	-6 AND SPARE PARTS
7-1426683-7	A	-	-	SPARE PARTS KIT

CRIMP DATA	DELPHI TERMINAL	DELPHI CRIMP SPECS
TERMINAL NAME: TAXI TERMINAL W/P 1-PIN		
CRIMP	SIZE	TYPE
WIRE	2.39 [.094 IN]	F
INSUL	4.32 [.170 IN]	O
WIRE STRIP LENGTH	5.60 [.220 IN]	APPL INSTRUCTIONS
		408-8322

TERMINAL	DELPHI DATA SHT.	FEED
APPL SPEC	12089040 & 12089188	14.96 [.589 IN]

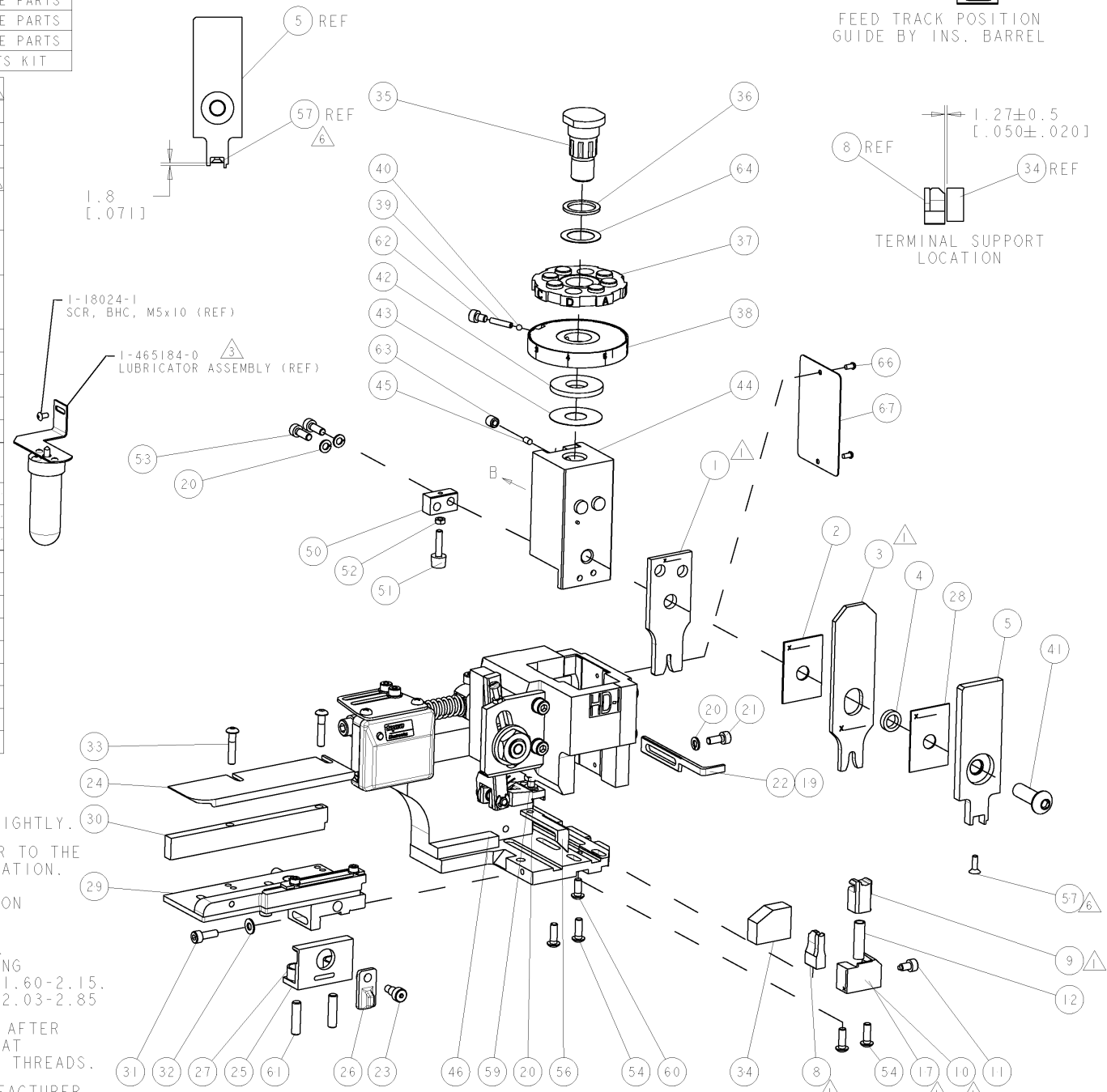
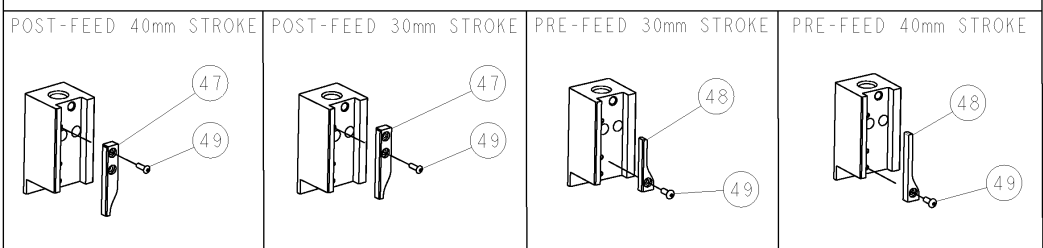
TYCO TERM PN	MANUF TERM PN	TYCO SEAL PN	MANUF SEAL PN
1949091-1	12089040	1949092-1	15324985
286551-1	12089188	286553-1	12015323

WIRE SIZE	CRIMP HEIGHT	PIN PN & LENGTH [IN]
0.80mm	1.15 ±0.05 [.045 ±.002 IN]	4-354779-0 [.3190]
0.75mm	1.10 ±0.05 [.043 ±.002 IN]	5-354779-0 [.3240]
0.50mm	1.10 ±0.05 [.043 ±.002 IN]	5-354779-1 [.3245]

WIRE SIZE	CRIMP HEIGHT	PIN PN & LENGTH [IN]
0.80mm	1.15 ±0.05 [.045 ±.002 IN]	4-354779-0 [.3190]
0.75mm	1.10 ±0.05 [.043 ±.002 IN]	5-354779-0 [.3240]
0.50mm	1.10 ±0.05 [.043 ±.002 IN]	5-354779-1 [.3245]

- RECOMMENDED SPARE PARTS.
- GREASE RAM, CAM, CAM FOLLOWER AND FEED ROD LIGHTLY.
- CERTAIN TERMINALS REQUIRE LUBRICATION. REFER TO THE APPLICATOR INSTRUCTION SHEET FOR MORE INFORMATION.
- LUBRICATE DAILY PER THE APPLICATOR INSTRUCTION SHEET SUPPLIED WITH THE APPLICATOR.
- THIS APPLICATOR APPLIES TERMINAL WITH A SEAL. WIRE INSULATION DIA IS DEPENDENT ON SEAL BEING APPLIED. SEAL PN 1949092-1 INS. DIA RANGE IS 1.60-2.15. SEAL PN 286553-1 INS. DIA RANGE IS 2.03-2.85
- APPLY TORO-SEAL IN ALLEN SOCKET TO FILL HOLE AFTER FLAT HD HAS BEEN ADJUSTED TO CORRECT HEIGHT AT QUALIFICATION. APPLY #1-23419-5 LOC-TITE TO THREADS.
- ALL CRIMP DATA SUPPLIED BY THE TERMINAL MANUFACTURER. SEE DELPHI DATA SHEET FOR SPECIFIC WIRE DETAILS.
- CRIMPED WIRE BARREL MUST HAVE FRONT AND REAR BELLMOUTH KEPT TO A MINIMUM.
- 0.80mm² WIRE SIZE ACHIEVES DELPHI MINIMUM TENSILE VALUE, BUT MAY NOT PASS A CAPABILITY STUDY.
- STRIP GUIDE MAY REQUIRE ADJUSTING WHEN CHANGING FROM ONE TERMINAL TO ANOTHER.

VIEW B ROTATED 180°



PART NO	DESCRIPTION	ITEM NO
-77	-76	-72
-71	-6	-2
-1		
		84
		83
		82
		81
		80
		79
		78
		77
		76
		75
		74
		73
		72
		71
		70
		69
		68
		67
		66
		65
		64
		63
		62
		61
		60
		59
		58
		57
		56
		55
		54
		53
		52
		51
		50
		49
		48
		47
		46
		45
		44
		43
		42
		41
		40
		39
		38
		37
		36
		35
		34
		33
		32
		31
		30
		29
		28
		27
		26
		25
		24
		23
		22
		21
		20
		19
		18
		17
		16
		15
		14
		13
		12
		11
		10
		9
		8
		7
		6
		5
		4
		3
		2
		1

SET UP GAGE	LOC	DIST	REV	DATE	BY	APPV
458637-3	A	66				

REV	DATE	BY	APPV	DESCRIPTION	ITEM NO
-	-	-	-	-	73
-	-	-	-	-	72
-	-	-	-	-	71
-	-	-	-	-	70
-	-	-	-	-	69
-	-	-	-	-	68
-	-	-	-	-	67
-	-	-	-	-	66
-	-	-	-	-	65
-	-	-	-	-	64
-	-	-	-	-	63
-	-	-	-	-	62
-	-	-	-	-	61
-	-	-	-	-	60
-	-	-	-	-	59
-	-	-	-	-	58
-	-	-	-	-	57
-	-	-	-	-	56
-	-	-	-	-	55
-	-	-	-	-	54
-	-	-	-	-	53
-	-	-	-	-	52
-	-	-	-	-	51
-	-	-	-	-	50
-	-	-	-	-	49
-	-	-	-	-	48
-	-	-	-	-	47
-	-	-	-	-	46
-	-	-	-	-	45
-	-	-	-	-	44
-	-	-	-	-	43
-	-	-	-	-	42
-	-	-	-	-	41
-	-	-	-	-	40
-	-	-	-	-	39
-	-	-	-	-	38
-	-	-	-	-	37
-	-	-	-	-	36
-	-	-	-	-	35
-	-	-	-	-	34
-	-	-	-	-	33
-	-	-	-	-	32
-	-	-	-	-	31
-	-	-	-	-	30
-	-	-	-	-	29
-	-	-	-	-	28
-	-	-	-	-	27
-	-	-	-	-	26
-	-	-	-	-	25
-	-	-	-	-	24
-	-	-	-	-	23
-	-	-	-	-	22
-	-	-	-	-	21
-	-	-	-	-	20
-	-	-	-	-	19
-	-	-	-	-	18
-	-	-	-	-	17
-	-	-	-	-	16
-	-	-	-	-	15
-	-	-	-	-	14
-	-	-	-	-	13
-	-	-	-	-	12
-	-	-	-	-	11
-	-	-	-	-	10
-	-	-	-	-	9
-	-	-	-	-	8
-	-	-	-	-	7
-	-	-	-	-	6
-	-	-	-	-	5
-	-	-	-	-	4
-	-	-	-	-	3
-	-	-	-	-	2
-	-	-	-	-	1

PART NO	DESCRIPTION	ITEM NO
-77	-76	-72
-71	-6	-2
-1		
		84
		83
		82
		81
		80
		79
		78
		77
		76
		75
		74
		73
		72
		71
		70
		69
		68
		67
		66
		65
		64
		63
		62
		61
		60
		59
		58
		57
		56
		55
		54
		53
		52
		51
		50
		49
		48
		47
		46
		45
		44
		43
		42
		41
		40
		39
		38
		37
		36
		35
		34
		33
		32
		31
		30
		29
		28
		27
		26
		25
		24
		23
		22
		21
		20
		19
		18
		17
		16
		15
		14
		13
		12
		11
		10
		9
		8
		7
		6
		5
		4
		3
		2
		1

Mouser Electronics

Authorized Distributor

Click to View Pricing, Inventory, Delivery & Lifecycle Information:

[TE Connectivity:](#)

[1426683-1](#)