

4

3

2

1

THIS DRAWING IS UNPUBLISHED. RELEASED FOR PUBLICATION
© COPYRIGHT ALL RIGHTS RESERVED.

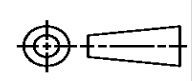
LOC	DIST	REVISIONS			
P	LTR	DESCRIPTION	DATE	DWN	APVD
	A1	ECR-14-003313	05MAR2014	GK	HMR

REPLACED BY OCEAN STYLE APPLICATOR PART NUMBER 2266063-1

FOR REPLACEMENT PARTS FOR APPLICATOR 1426671
REFER TO ADDITIONAL PAGE(S). SPARE PARTS KIT (IF LISTED)
WILL REMAIN AVAILABLE.

THE REPLACEMENT OCEAN STYLE APPLICATOR HAS THE
SAME TERMINATOR/PRESS INTERFACE AS APPLICATOR
1426671

THIS DRAWING IS A CONTROLLED DOCUMENT.		DWN	GOPALAKRISHNA HV																				
DIMENSIONS:		CHK	RAGHAVENDRA																				
TOLERANCES UNLESS OTHERWISE SPECIFIED:		APVD	RAGHAVENDRA																				
<table border="0"> <tr><td>0</td><td>PLC</td><td>±</td></tr> <tr><td>1</td><td>PLC</td><td>±</td></tr> <tr><td>2</td><td>PLC</td><td>±</td></tr> <tr><td>3</td><td>PLC</td><td>±</td></tr> <tr><td>4</td><td>PLC</td><td>±</td></tr> <tr><td colspan="2">ANGLES</td><td>±</td></tr> </table>		0	PLC	±	1	PLC	±	2	PLC	±	3	PLC	±	4	PLC	±	ANGLES		±	NAME	SIDE FEED HD-I APPLICATOR		
0	PLC	±																					
1	PLC	±																					
2	PLC	±																					
3	PLC	±																					
4	PLC	±																					
ANGLES		±																					
MATERIAL		PRODUCT SPEC																					
FINISH		APPLICATION SPEC																					
		WEIGHT	SIZE	CAGE CODE	DRAWING NO																		
			A3		©- 1426671																		
		CUSTOMER DRAWING	SCALE	SHEET 1 OF 2	REV A1																		



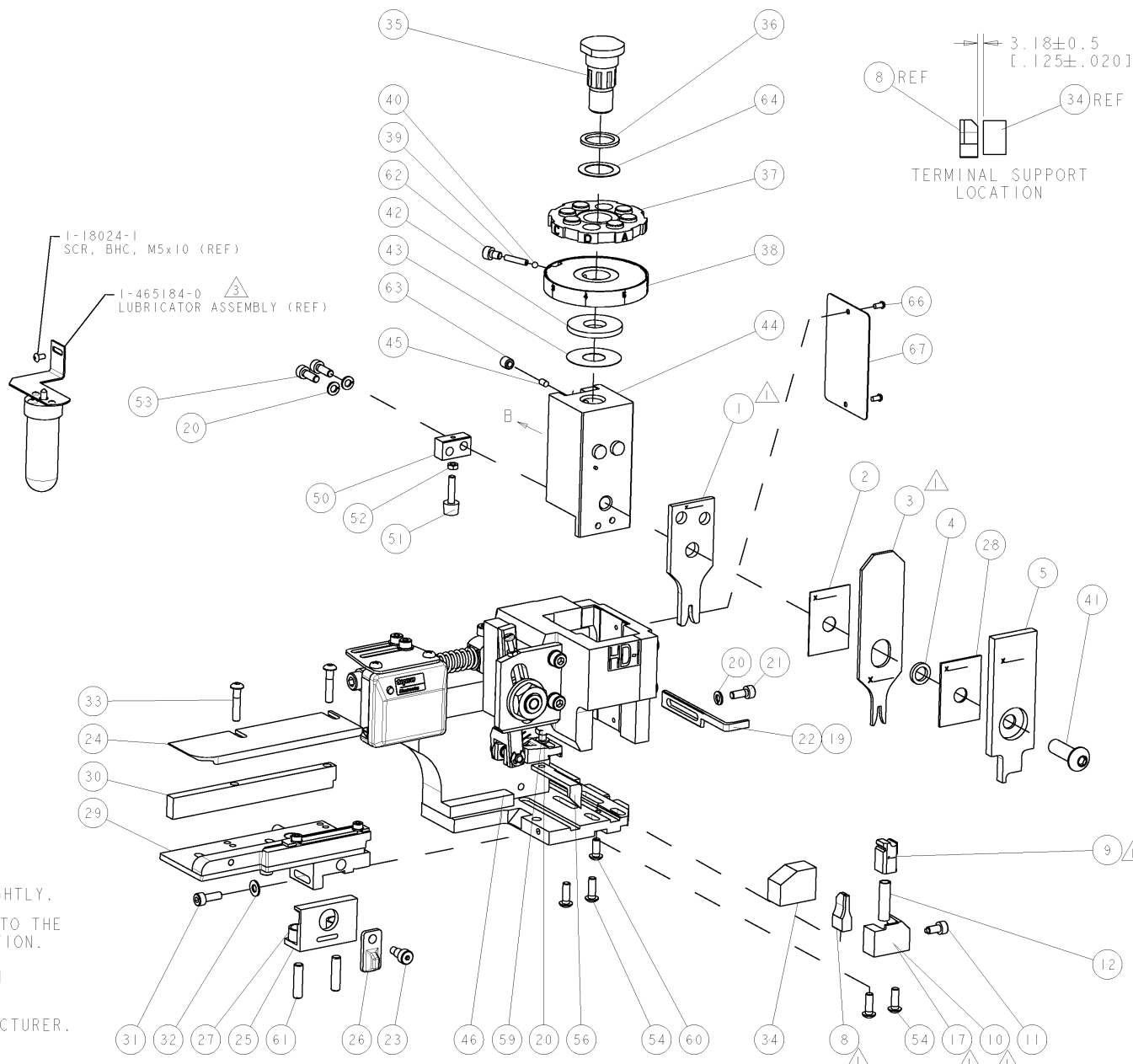
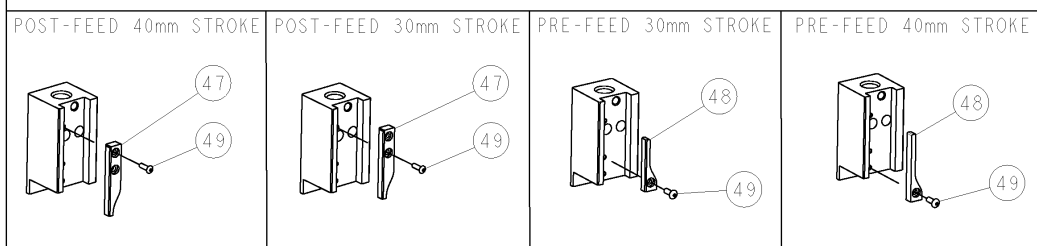
PART NUMBER	REV	TERMINATOR	FEED TYPE	DESCRIPTION
1426671-1	A	LEADMAKER	MECH POST FEED	CUTS CARRIER
1426671-2	A	BENCH	MECH PRE FEED	CUTS CARRIER
1426671-6	A	LEADMAKER	MECH POST FEED	CONTINUOUS CARRIER
7-1426671-1	A	LEADMAKER	MECH POST FEED	-1 AND SPARE PARTS
7-1426671-2	A	BENCH	MECH PRE FEED	-2 AND SPARE PARTS
7-1426671-6	A	LEADMAKER	MECH POST FEED	-6 AND SPARE PARTS
7-1426671-7	A	-	-	SPARE PARTS KIT

CRIMP DATA		CINCH TERMINAL		CINCH CRIMP SPECS	
TERMINAL NAME: FEMALE TERMINAL BIR 20-18 AWG UNIVERSAL					
CRIMP	SIZE	TYPE	RANGE		
WIRE	1.98 [.078 IN]	F	0.50-0.80mm ² or 20-18 AWG		
INSUL	2.44 [.096 IN]	F	1.96-2.34 [.077-.092 IN]		
WIRE STRIP LENGTH 4.35-5.35 [.171-.211 IN]		APPL INSTRUCTIONS 408-8322			
TERMINAL APPL SPEC 425 00 00 872S		CINCH APPL DRG 425 00 00 872S		FEED 13.00 [.512 IN]	
TERMINALS APPLIED					
T.E. TERM PN	MANUF TERM PN				
1949683-1	425 00 00 872				
WIRE SIZE		CRIMP HEIGHT	PIN PN & LENGTH [IN]		
0.80mm ² or 18AWG		1.20 ±0.03 [.047 ±.001 IN]	2-354779-8 [.3130]		
0.80mm ² or 18AWG		1.18 ±0.03 [.046 ±.001 IN]	3-354779-0 [.3140]		
0.50mm ² or 20AWG		1.10 ±0.03 [.043 ±.001 IN]	3-354779-6 [.3170]		



- RECOMMENDED SPARE PARTS.
- GREASE RAM, CAM, CAM FOLLOWER AND FEED ROD LIGHTLY.
- CERTAIN TERMINALS REQUIRE LUBRICATION. REFER TO THE APPLICATOR INSTRUCTION SHEET FOR MORE INFORMATION.
- LUBRICATE DAILY PER THE APPLICATOR INSTRUCTION SHEET SUPPLIED WITH THE APPLICATOR.
- ALL CRIMP DATA SUPPLIED BY THE TERMINAL MANUFACTURER.
- SEE CINCH DRG. FOR SPECIFIC WIRE DETAILS.

VIEW B ROTATED 180°



REV	DATE	BY	CHKD	DESCRIPTION
A	27MAY2008	LJL	MC	SEE ECO-08-013077

REV	DATE	BY	CHKD	DESCRIPTION	ITEM NO				
-	-	-	-	-	73				
-	-	-	-	-	72				
-	1	1	1	1	1338705-1	DOCUMENTATION PACKAGE	71		
-	-	-	-	-	-	70			
-	-	-	-	-	-	69			
-	-	-	-	-	-	68			
-	1	1	1	1	1	461264-1	PLATE, IDENTIFICATION	67	
-	2	2	2	2	2	21017-2	SCREW, DRIVE	66	
-	-	-	-	-	-	-	65		
-	1	1	1	1	1	986950-1	WASHER, FLAT PRECISION	64	
-	1	1	1	1	1	3-18031-0	SCR, SET, CUP POINT M6 X 6.0	63	
-	1	1	1	1	1	18023-9	SCR, SKT HD CAP M4 X 6.0	62	
-	2	2	2	2	2	2-18032-5	SCR, SET, FLT POINT M5 X 20.0	61	
-	1	1	1	1	1	18024-7	SCR, BTN SKT HD CAP (M4 X 10.0)	60	
-	1	1	1	1	1	5-18022-2	SCR, HEX HD CAP M4 X 8.0	59	
-	-	-	-	-	-	-	58		
-	-	-	-	-	-	-	57		
-	1	1	1	1	1	1338685-1	PAWL, FEED	56	
-	-	-	-	-	-	-	55		
-	4	4	4	4	4	18024-8	SCR, BTN SKT HD CAP (M4 X 12.0)	54	
-	2	2	2	2	2	1-18023-2	SCR, SKT HD CAP M4 X 12.0	53	
-	1	1	1	1	1	18030-1	NUT, HEX, REG M3	52	
-	1	1	1	1	1	811242-5	BUMPER, HOLD DOWN	51	
-	1	1	1	1	1	690753-2	SPACER, TONKER	50	
-	1	1	1	1	1	18024-3	SCR, BTN SKT HD CAP (M3 X 10.0)	49	
-	-	-	-	-	-	-	48		
-	1	1	1	1	1	1338675-1	CAM, UNIVERSAL PRE FEED	47	
-	1	1	1	1	1	1338676-1	CAM, UNIVERSAL POST-FEED	46	
-	1	1	1	1	1	1320999-3	APPLICATOR SUBASSEMBLY, HDI	45	
-	1	1	1	1	1	690191-1	PLUG, NYLON	44	
-	1	1	1	1	1	1338660-1	RAM	43	
-	1	1	1	1	1	690125-1	SHIM SUB-ASSY	42	
-	1	1	1	1	1	690124-1	WASHER, RAM (.115)	41	
-	1	1	1	1	1	2-18024-6	SCR, BTN SKT HD CAP (M8 X 25.0)	40	
-	1	1	1	1	1	23241-1	BALL, STEEL	39	
-	1	1	1	1	1	2-22278-7	SPRING, COMPRESSION	38	
-	1	1	1	1	1	1320922-1	DISC, ADJUST, INSULATION CRIMP	37	
-	1	1	1	1	1	354777-1	WIRE DISC, ASSEMBLY	36	
-	1	1	1	1	1	22480-5	SPRING, COMPRESSION	35	
-	1	1	1	1	1	690212-1	POST, RAM	34	
-	1	1	1	1	1	1320934-6	SUPPORT, TERMINAL	33	
-	2	2	2	2	2	1-18024-0	SCR, SKT HD CAP M4 X 20.0	32	
-	1	1	1	1	1	18027-2	WASHER, FLAT, REG M4	31	
-	1	1	1	1	1	1-18023-2	SCR, SKT HD CAP M4 X 12.0	30	
-	1	1	1	1	1	1320908-1	SPACER, STRIP GUIDE	29	
-	1	1	1	1	1	1633073-1	STRIP GUIDE ASSEMBLY	28	
-	1	1	1	1	1	1-455888-0	SPACER, CRIMPER	27	
-	2	2	2	2	2	1-22284-0	SPRING, COMPRESSION	26	
-	1	1	1	1	1	356835-1	LEVER, DRAG RELEASE	25	
-	1	1	1	1	1	240792-1	DRAG, TERMINAL	24	
-	1	1	1	1	1	1320928-1	PLATE, STRIP GUIDE	23	
-	1	1	1	1	1	980371-4	SCR, SKT HD SHLDR 5.0 DIA X 6.0	22	
-	1	1	1	1	1	690472-2	STRIPPER	21	
-	1	1	1	1	1	1-18023-1	SCR, SKT HD CAP M4 X 10.0	20	
-	4	4	4	4	4	18025-2	WASHER, SPRG LOCK, REG M4	19	
-	-	-	-	-	-	-	18		
-	-	-	-	-	-	-	17		
-	1	1	1	1	1	1338684-1	SHEAR HOLDER, FRONT	16	
-	-	-	-	-	-	-	15		
-	-	-	-	-	-	-	14		
-	-	-	-	-	-	-	13		
-	1	1	1	1	1	3-22280-3	SPRING, COMPRESSION	12	
-	1	1	1	1	1	356885-4	STOP, SHEAR	11	
-	1	1	1	1	1	1320921-1	SHEAR HOLDER, FRONT, CUT	10	
-	1	1	1	1	1	462006-1	FLOATING SHEAR, FRONT	9	
-	1	2	2	2	1	1	8-1633138-6	ANVIL, COMBINATION	8
-	-	-	-	-	-	-	7		
-	-	-	-	-	-	-	6		
-	1	1	1	1	1	2-455889-0	DEPRESSOR, SHEAR	5	
-	1	1	1	1	1	2-238011-2	BLOCK, CRIMPER SPACER	4	
-	1	2	2	2	1	1	7-1633471-9	CRIMPER, INSULATION F	3
-	1	1	1	1	1	455888-4	SPACER, CRIMPER	2	
-	1	2	2	2	1	1	2-1490019-4	CRIMPER, WIRE PREMIUM	1

REV	DATE	BY	CHKD	DESCRIPTION	ITEM NO
-	-	-	-	-	84
-	-	-	-	-	83
-	-	-	-	-	82
-	-	-	-	-	81
-	-	-	-	-	80
-	-	-	-	-	79
-	-	-	-	-	78
-	-	-	-	-	77
-	-	-	-	-	76
-	-	-	-	-	75
-	-	-	-	-	74
REV	DATE	BY	CHKD	DESCRIPTION	ITEM NO
-	-	-	-	-	84
-	-	-	-	-	83
-	-	-	-	-	82
-	-	-	-	-	81
-	-	-	-	-	80
-	-	-	-	-	79
-	-	-	-	-	78
-	-	-	-	-	77
-	-	-	-	-	76
-	-	-	-	-	75
-	-	-	-	-	74
REV	DATE	BY	CHKD	DESCRIPTION	ITEM NO
-	-	-	-	-	84
-	-	-	-	-	83
-	-	-	-	-	82
-	-	-	-	-	81
-	-	-	-	-	80
-	-	-	-	-	79
-	-	-	-	-	78
-	-	-	-	-	77
-	-	-	-	-	76
-	-	-	-	-	75
-	-	-	-	-	74

REV	DATE	BY	CHKD	DESCRIPTION	ITEM NO			
-	-	-	-	-	73			
-	-	-	-	-	72			
-	1	1	1	1	1338705-1	DOCUMENTATION PACKAGE	71	
-	-	-	-	-	-	70		
-	-	-	-	-	-	69		
-	-	-	-	-	-	68		
-	1	1	1	1	1	461264-1	PLATE, IDENTIFICATION	67
-	2	2	2	2	2	21017-2	SCREW, DRIVE	66
-	-	-	-	-	-	-	65	
-	1	1	1	1	1	986950-1	WASHER, FLAT PRECISION	64
-	1	1	1	1	1	3-18031-0	SCR, SET, CUP POINT M6 X 6.0	63
-	1	1	1	1	1	18023-9	SCR, SKT HD CAP M4 X 6.0	62
-	2	2	2	2	2	2-18032-5	SCR, SET, FLT POINT M5 X 20.0	61
-	1	1	1	1	1	18024-7	SCR, BTN SKT HD CAP (M4 X 10.0)	60
-	1	1	1	1	1	5-18022-2	SCR, HEX HD CAP M4 X 8.0	59
-	-	-	-	-	-	-	58	
-	-	-	-	-	-	-	57	
-	1	1	1	1	1	1338685-1	PAWL, FEED	56
-	-	-	-	-	-	-	55	
-	4	4	4	4	4	18024-8	SCR, BTN SKT HD CAP (M4 X 12.0)	54
-	2	2	2	2	2	1-18023-2	SCR, SKT HD CAP M4 X 12.0	53
-	1	1	1	1	1	18030-1	NUT, HEX, REG M3	52
-	1	1	1	1	1	811242-5	BUMPER, HOLD DOWN	51
-	1	1	1	1	1	690753-2	SPACER, TONKER	50
-	1	1	1	1	1	18024-3	SCR, BTN SKT HD CAP (M3 X 10.0)	49
-	-	-	-	-	-	-	48	
-	1	1	1	1	1	1338675-1	CAM, UNIVERSAL PRE FEED	47
-	1	1	1	1	1	1338676-1	CAM, UNIVERSAL POST-FEED	46
-	1	1	1	1	1	1320999-3	APPLICATOR SUBASSEMBLY, HDI	45
-	1	1	1	1	1	690191-1	PLUG, NYLON	44
-	1	1	1	1	1	1338660-1	RAM	43
-	1	1	1	1	1	690125-1	SHIM SUB-ASSY	42
-	1	1	1	1	1	690124-1	WASHER, RAM (.115)	41
-	1	1	1	1	1	2-18024-6	SCR, BTN SKT HD CAP (M8 X 25.0)	40
-	1	1	1	1	1	23241-1	BALL, STEEL	39
-	1	1	1	1	1	2-22278-7	SPRING, COMPRESSION	38
-	1	1	1	1	1	1320922-1	DISC, ADJUST, INSULATION CRIMP	37
-	1	1	1	1	1	354777-1	WIRE DISC, ASSEMBLY	36
-	1	1	1	1	1	22480-5	SPRING, COMPRESSION	35
-	1	1	1	1	1	690212-1	POST, RAM	34
-	1	1	1	1	1	1320934-6	SUPPORT, TERMINAL	33
-	2	2	2	2	2	1-18024-0	SCR, SKT HD CAP M4 X 20.0	32
-	1	1	1	1	1	18027-2	WASHER, FLAT, REG M4	31
-	1	1	1	1	1	1-18023-2	SCR, SKT HD CAP M4 X 12.0	30
-	1	1	1	1	1	1320908-1	SPACER, STRIP GUIDE	29
-	1	1	1	1	1	1633073-1	STRIP GUIDE ASSEMBLY	28
-	1	1	1	1	1	1-455888-0	SPACER, CRIMPER	

Mouser Electronics

Authorized Distributor

Click to View Pricing, Inventory, Delivery & Lifecycle Information:

[TE Connectivity:](#)

[1426671-1](#)