

4

3

2

1


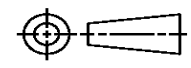
THIS DRAWING IS UNPUBLISHED. RELEASED FOR PUBLICATION  
© COPYRIGHT ALL RIGHTS RESERVED.

LOC		DIST		REVISIONS			
P	LTR	DESCRIPTION		DATE	DWN	APVD	
	D1	ECR-14-018880		17DEC2014	GK	HMR	

# REPLACED BY OCEAN STYLE APPLICATOR PART NUMBER 2266520-1

FOR REPLACEMENT PARTS FOR APPLICATOR 1426220  
REFER TO ADDITIONAL PAGE(S). SPARE PARTS KIT (IF LISTED)  
WILL REMAIN AVAILABLE.

THE REPLACEMENT OCEAN STYLE APPLICATOR HAS THE  
SAME TERMINATOR/PRESS INTERFACE AS APPLICATOR  
1426220

THIS DRAWING IS A CONTROLLED DOCUMENT.		DWN	GOPALAKRISHNA HV			TE Connectivity	
DIMENSIONS:		CHK	RAGHAVENDRA			NAME	
		TOLERANCES UNLESS OTHERWISE SPECIFIED:		APVD	RAGHAVENDRA		
		0 PLC ±	1 PLC ±	PRODUCT SPEC			
MATERIAL		2 PLC ±	3 PLC ±	APPLICATION SPEC			
FINISH		4 PLC ±	ANGLES ±	SIZE	CAGE CODE	DRAWING NO	RESTRICTED TO
				A3		©- 1426220	
CUSTOMER DRAWING				SCALE	SHEET 1 OF 2	REV D1	

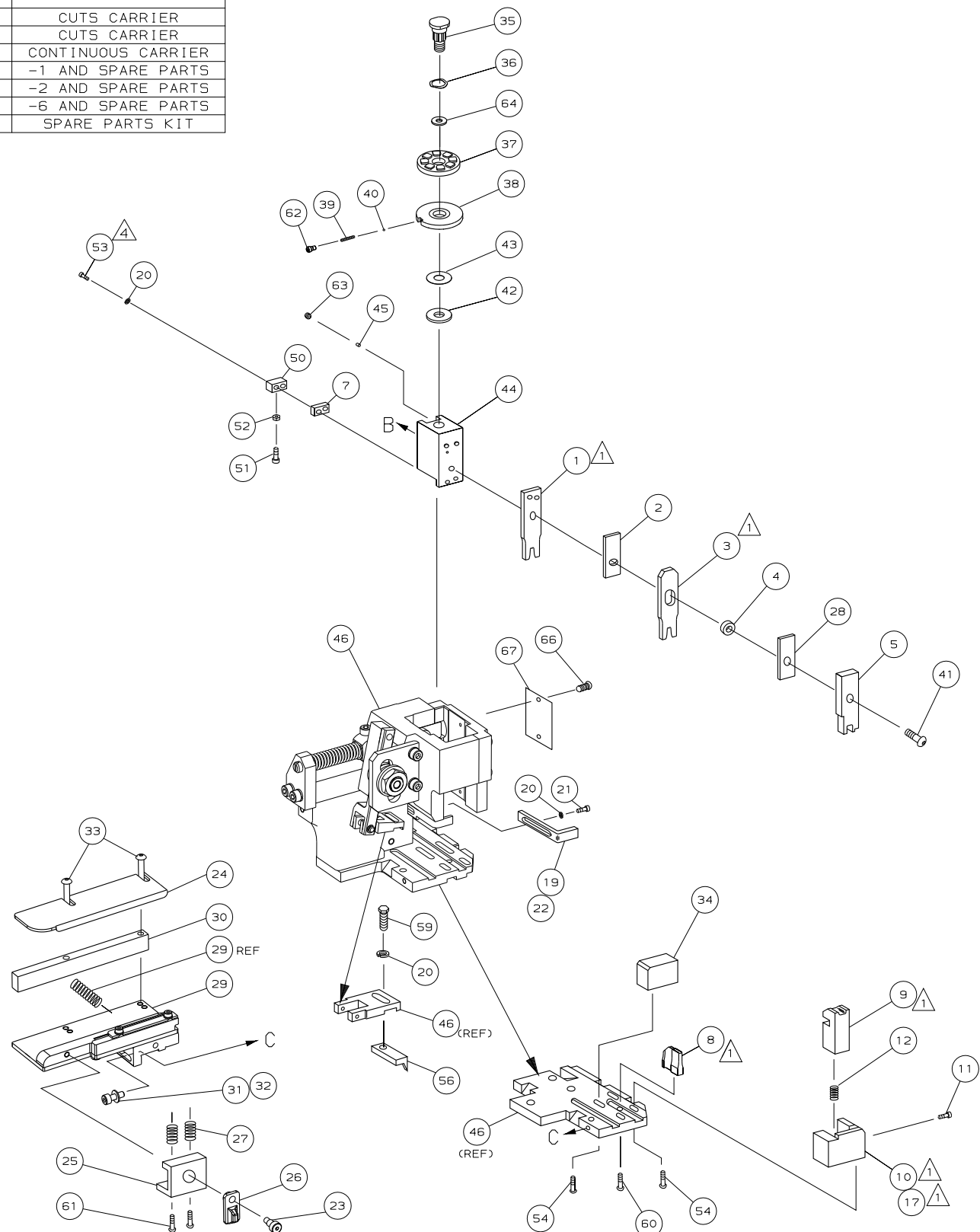
DRAWING MADE IN THIRD ANGLE PROJECTION

1426220 1426220

/nd/nboun/medout

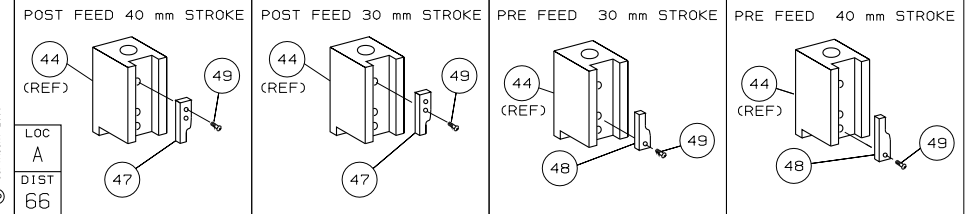
PART NUMBER	REV	FIRST USED	TERMINATOR	FEED TYPE	DESCRIPTION
1426220-1	D	-	LEADMAKER	MECH POST FEED	CUTS CARRIER
1426220-2	D	-	BENCH	MECH PRE FEED	CUTS CARRIER
1426220-6	D	-	LEADMAKER	MECH POST FEED	CONTINUOUS CARRIER
7-1426220-1	D	-	LEADMAKER	MECH POST FEED	-1 AND SPARE PARTS
7-1426220-2	D	-	BENCH	MECH PRE FEED	-2 AND SPARE PARTS
7-1426220-6	D	-	LEADMAKER	MECH POST FEED	-6 AND SPARE PARTS
7-1426220-7	A	-	-	-	SPARE PARTS KIT

CRIMP DATA AMP TERMINAL AMP CRIMP SPECS			
TERMINAL NAME: .070 II SERIES S RECEPTACLE			
CRIMP	SIZE	TYPE	RANGE
WIRE	1.78 [.070 IN]	F	0.3mm <sup>2</sup> -0.85mm <sup>2</sup>
INSUL	2.29 [.090 IN]	F	1.10-1.90 [.043-.075 IN]
WIRE STRIP LENGTH		APPL INSTRUCTION	
4.00-4.50 [.157-.177 IN]		408-8322	
TERMINAL	114-5160 (A)	-	FEED $\Delta$
APPL SPEC	114-5198 (B)	-	11.50 [.453 IN]
TERMINALS APPLIED			
175268 (A)	-	-	-
175272 (A)	-	-	-
175275 (A)	-	-	-
-	-	-	-
179965 (B)	-	-	-
179967 (B)	-	-	-
-	-	-	-
-	-	-	-
WIRE SIZE	CRIMP HEIGHT	PIN PN AND LENGTH [IN]	
mm <sup>2</sup> AWG			
0.85mm <sup>2</sup>	1.17 ±0.05 [.046 ±.002 IN]	2-354779-8 [.3130]	
0.50mm <sup>2</sup>	1.03 ±0.05 [.041 ±.002 IN]	3-354779-7 [.3175]	
0.30mm <sup>2</sup> OR 0.35mm <sup>2</sup>	0.94 ±0.05 [.037 ±.002 IN]	4-354779-7 [.3225]	
0.75mm <sup>2</sup>	1.12 ±0.05 [.044 ±.002 IN]	3-354779-1 [.3145]	



- $\Delta$  1. RECOMMENDED SPARE PARTS.
- 2. GREASE RAM, CAM, CAM FOLLOWER AND FEED ROD LIGHTLY.
- 3. LUBRICATE DAILY PER THE APPLICATOR INSTRUCTION SHEET SUPPLIED WITH THE APPLICATOR.
- $\Delta$  4. CUT TO LENGTH AT ASSEMBLY.
- $\Delta$  5. FEED MAY REQUIRE ADJUSTMENT WHEN CHANGING FROM ONE TERMINAL TO ANOTHER.

VIEW B ROTATED 180°



QTY	REQD	PER	ASSY	PART NO	DESCRIPTION	ITEM NO		
-	1	1	1	1	1	1426220	PRINT, APPLICATOR LOG SHEET	73
-	1	1	1	1	1	1338705-1	DOCUMENTATION PACKAGE	72
-	-	-	-	-	-	-	-	71
-	-	-	-	-	-	-	-	70
-	-	-	-	-	-	-	-	69
-	-	-	-	-	-	-	-	68
-	1	1	1	1	1	461264-1	PLATE, IDENTIFICATION	67
-	2	2	2	2	2	21017-2	SCR, DRIVE (#2X.19) ID PLATE	66
-	-	-	-	-	-	-	-	65
-	1	1	1	1	1	986950-1	WASHER, FLAT PRECISION	64
-	1	1	1	1	1	3-18031-0	SCR, SKT SET (M6X6) RAM	63
-	1	1	1	1	1	18023-9	SCR, SHC (M4X6) INS DISC	62
-	2	2	2	2	2	2-18032-5	SCR, SET (M5X20) DRAG	61
-	1	1	1	1	1	18024-7	SCR, BHC (M4X10) ANVIL	60
-	1	1	1	1	1	5-18022-2	SCR, HEX (M4X8) FEED FINGER	59
-	-	-	-	-	-	-	-	58
-	-	-	-	-	-	-	-	57
-	1	1	1	1	1	1338685-1	PAWL, FEED	56
-	-	-	-	-	-	-	-	55
-	4	4	4	4	4	18024-8	SCR, BHC (M4X12) SHEAR HOLDER	54
-	2	2	2	2	2	9-18023-6	SCR, SKT CAP (M4X14) HOLD DOWN	53
-	1	1	1	1	1	18030-1	NUT, HEX (M3) HOLD DOWN	52
-	1	1	1	1	1	811242-5	BUMPER, HOLDDOWN	51
-	1	1	1	1	1	690753-2	SPACER, TONKER	50
-	1	1	1	1	1	18024-3	SCR, BHC (M3X10) CAM	49
-	-	-	-	-	-	-	-	48
-	1	1	1	1	1	1338675-1	CAM, PRE FEED 30 & 40 mm ST	48
-	1	1	1	1	1	1338676-1	CAM, POST FEED 30 & 40 mm ST	47
-	1	1	1	1	1	1320999-3	APPLICATOR BASIC SUBASSY	46
-	1	1	1	1	1	690191-1	PLUG, NYLON	45
-	1	1	1	1	1	1338660-1	RAM	44
-	1	1	1	1	1	690125-1	WASHER, LAMINATED	43
-	1	1	1	1	1	690124-1	WASHER, RAM	42
-	1	1	1	1	1	2-18024-6	SCR, BHC (M8X25) RAM	41
-	1	1	1	1	1	23241-1	BALL, STEEL	40
-	1	1	1	1	1	2-22278-7	SPRING, COMPRESSION	39
-	1	1	1	1	1	1320922-1	DISC, INSULATION	38
-	1	1	1	1	1	354777-1	WIRE DISC, PLASTIC	37
-	1	1	1	1	1	22480-5	WASHER, SPRING	36
-	1	1	1	1	1	690212-1	POST, RAM	35
-	1	1	1	1	1	1320934-1	SUPPORT, TERMINAL	34
-	2	2	2	2	2	1-18024-0	SCR, BHC (M4X20) STRIP GUIDE	33
-	1	1	1	1	1	18027-2	WASHER, FLAT (M4)	32
-	1	1	1	1	1	1-18023-2	SCR, SKT CAP (M4X12) MOUNT BLOCK	31
-	1	1	1	1	1	1320908-3	SPACER, STRIP GUIDE	30
-	1	1	1	1	1	1633073-1	STRIP GUIDE PLATE ASSY	29
-	1	1	1	1	1	1-455888-0	SPACER, FRONT SHEAR DEP	28
-	2	2	2	2	2	1-22284-0	SPRING, DRAG	27
-	1	1	1	1	1	356835-1	LEVER, DRAG RELEASE	26
-	1	1	1	1	1	240792-1	DRAG, TERMINAL	25
-	1	1	1	1	1	1320928-2	PLATE, STRIP GUIDE	24
-	1	1	1	1	1	980371-4	SCR, SHC SHLD	23
-	1	1	1	1	1	690472-2	STRIPPER	22
-	1	1	1	1	1	1-18023-1	SCR, SHC (M4X10) STRIPPER	21
-	4	4	4	4	4	18025-2	WASHER, LOCK (M4) STRIPPER	20
-	-	-	-	-	-	-	-	19
-	-	-	-	-	-	-	-	18
-	1	-	-	1	-	1338684-1	HOLDER, SHEAR, FRONT (NO-CUT)	17
-	-	-	-	-	-	-	-	16
-	-	-	-	-	-	-	-	15
-	-	-	-	-	-	-	-	14
-	-	-	-	-	-	-	-	13
-	1	1	1	1	1	3-22280-3	SPRING, SHEAR	12
-	1	1	1	1	1	356885-4	STOP, SHEAR	11
-	-	1	1	-	1	1320921-1	HOLDER, SHEAR, FRONT (CUT)	10
-	1	1	1	1	1	462006-1	SHEAR, FLOAT (FRONT)	9
-	1	2	2	2	1	1-1333203-7	ANVIL	8
-	1	1	1	1	1	2-240641-1	SPACER, DEPRESSOR (REAR)	7
-	-	-	-	-	-	-	-	6
-	1	1	1	1	1	2-455889-0	DEPRESSOR, SHEAR (FRONT)	5
-	1	1	1	1	1	2-238011-2	SPACER, BLOCK CRIMPER	4
-	1	2	2	2	1	6-456134-3	CRIMPER, INSULATION	3
-	1	1	1	1	1	455888-9	SPACER, CRIMPER	2
-	1	2	2	2	1	3-456404-0	CRIMPER, WIRE	1

LOC A	66	AMP 1756 REV 3-92	19-DEC-06	13:46:50	b8420	7	6	5	4	3
<p>QTY REQD PER ASSY</p> <p>REVISION OF EACH ASSY NO (WHEN BLANK, USE DWG REVISION)</p> <p>PARTS LIST</p> <p>DIMENSIONS, mm [INCHES]</p> <p>DO NOT SCALE PRINT.</p> <p>TOLERANCES UNLESS OTHERWISE SPECIFIED:</p> <p>1 PLC DEC ±0.5 [.02 IN]</p> <p>2 PLC DEC ±-</p> <p>3 PLC DEC ±-</p> <p>ANGLES ±-</p> <p>SURF TEXTURE, REMOVE BURRS, BREAK SHARP EDGES RO.3B MAX</p> <p>SCALE: <math>\phi</math> DWG NO: 1426220</p> <p>CHE CODE: 00779</p> <p>CUSTOMER AND ASSEMBLY DRAWING</p>										

THIS DRAWING IS A CONTROLLED DOCUMENT

LAYOUT L1426220 SET UP GAGE 458637-3

THIS DRAWING IS UNPUBLISHED. RELEASED FOR PUBLICATION BY AMP INCORPORATED. ALL RIGHTS RESERVED. © COPYRIGHT 2000

# Mouser Electronics

Authorized Distributor

Click to View Pricing, Inventory, Delivery & Lifecycle Information:

[TE Connectivity:](#)

[1426220-6](#)