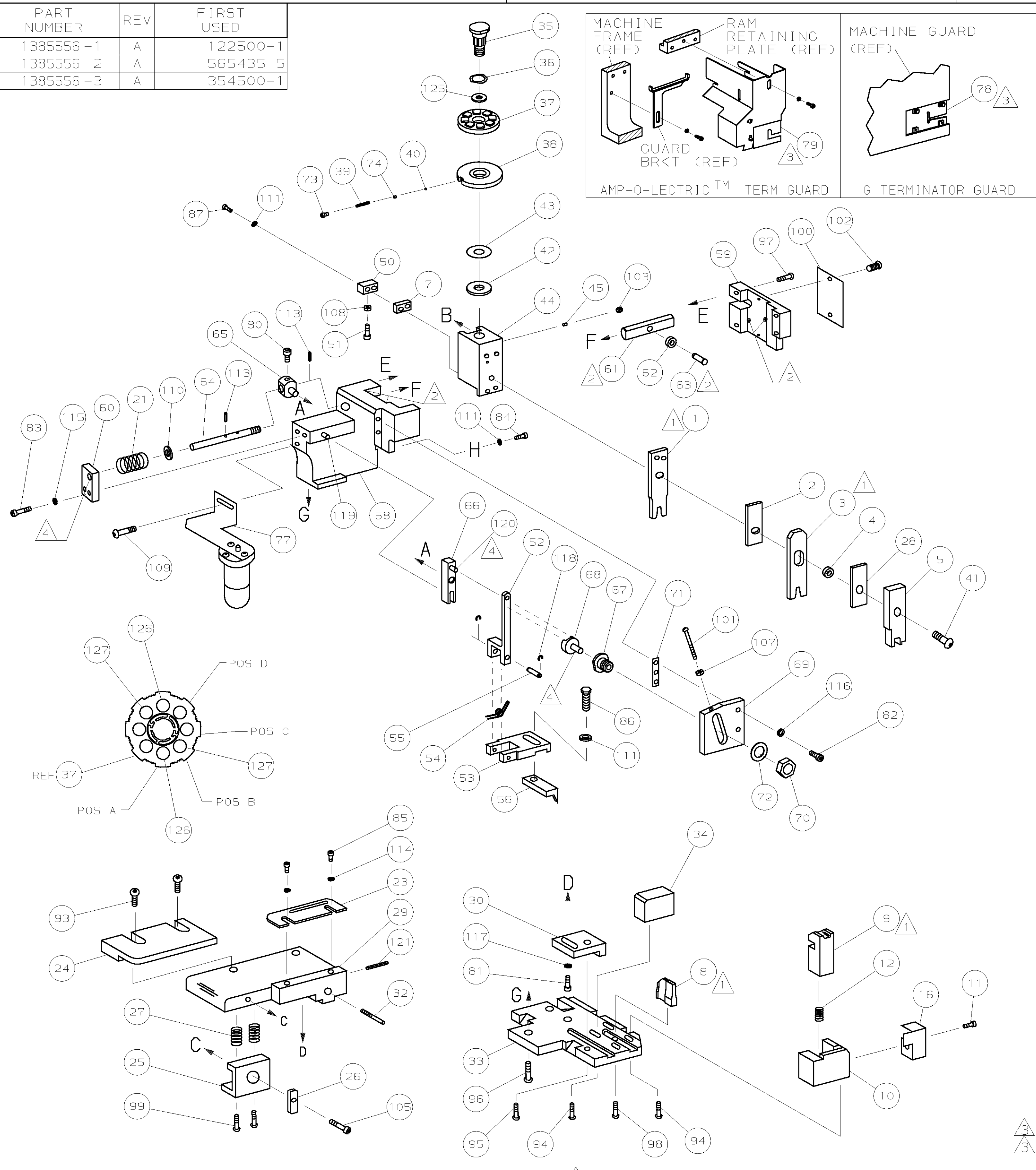


PART NUMBER	REV	FIRST USED
1385556-1	A	122500-1
1385556-2	A	565435-5
1385556-3	A	354500-1



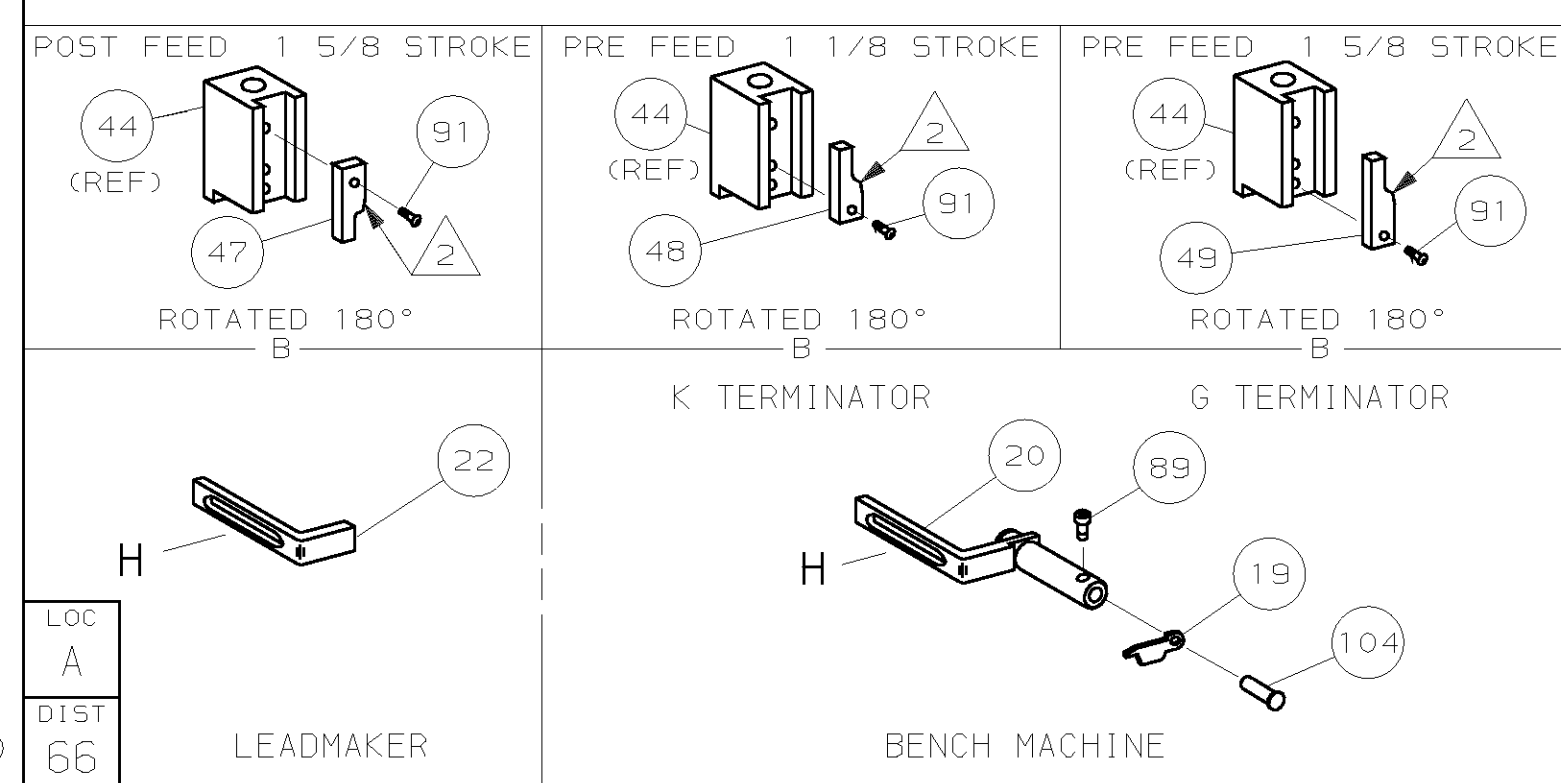
WIRE STRIP LENGTH		TERM APPL	SPEC	FEED	APPL INSTRUCTION	SET UP GAGE	LAYOUT
.197-.213			NONE	.602	408-8040	458637-1	L2780

AMP	TERM	PN	MFR	TERM	PN	FRAMATOME	TERMINAL	CUSTOMER	CRIMP	SPECS

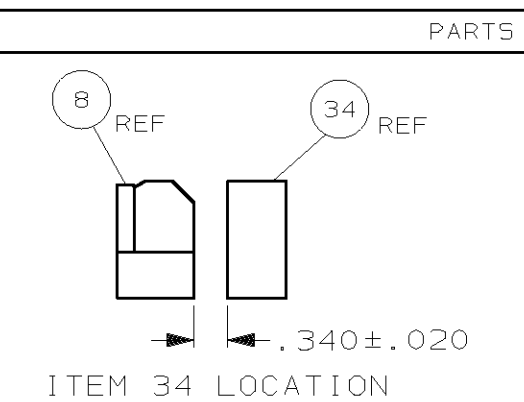
2	2	2	-	C	2-354779-6		PIN, WIRE DISC (.3120)B			127
2	2	2	-	C	1-354779-6		PIN, WIRE DISC (.3070)A			126
1	1	1	-	A	986950-1		WASHER, FLAT PRECISION			125
1	1	1	-	A	217238-1		GENERAL INSTRUCTION PACKAGE			124
1	1	1	-	-	4088040		SF APPL INST 408-8040			123
										122
1	1	1	-	A	4-21028-0		PIN, SLT SPR(Ø.093x.75)ST GDE PL			121
REF	REF	REF	-	A	1-21030-1		PIN, DOWEL (Ø.187x.50)LEVER			120
REF	REF	REF	-	A	1-21030-6		PIN, DOWEL (Ø.187x1.25)HOUSING			119
REF	REF	REF	-	A	21045-3		RING, RET "C" (Ø.187)FD FING PIN			118
1	1	1	-	A	21024-5		WASHER, LOCK (#10)ADJ BLOCK			117
REF	REF	REF	-	A	21024-5		WASHER, LOCK (#10)ADJ PLATE			116
REF	REF	REF	-	A	21024-5		WASHER, LOCK (#10)FEED GDE ROD			115
2	2	2	-	A	21024-2		WASHER, LOCK (#4)FRONT STP GUIDE			114
REF	REF	REF	-	A	5-21028-1		PIN, SLT SPR(Ø.125x.50)ADJ ROD			113
										112
4	4	4	-	A	21024-4		WASHER, LOCK (#8) STRIPPER			111
REF	REF	REF	-	A	21899-4		WASHER, FLAT (Ø5/16) SCREW ADJ			110
-	1	-	-	A	2-21002-5		SCR, BHC (10-32x.25) LUBE ASSY			109
1	1	1	-	A	21018-5		NUT, HEX (NO. 6) HOLDDOWN			108
REF	REF	REF	-	A	21068-5		NUT, HEX (6-32)FEED ADJ			107
										106
1	1	1	-	A	22353-8		SCR, SHLD (Ø.187x.25)DRAG LEVER			105
1	1	-	-	A	992031-1		PIN, CLEVIS			104
1	1	1	-	A	21009-2		SCR, SKT SET (1/4-20x.25 LW) RAM			103
2	2	2	-	A	21017-2		SCR, DRIVE (#2x.19) ID PLATE			102
REF	REF	REF	-	A	6-23715-5		SCR, PAN HD (6-32x1.50)FEED ADJ			101
1	1	1	-	B	461264-1		PLATE, IDENTIFICATION			100
2	2	2	-	A	3-21002-0		SCR, BHC (10-32x.88)DRAG			99
1	1	1	-	A	22733-8		SCR, BHC (8-32x.38 LW) ANVIL			98
REF	REF	REF	-	A	2-21002-9		SCR, BHC (10-32x.75)CAP			97
REF	REF	REF	-	A	2-22733-8		SCR, BHC (1/4-20x.62)HOUSING			96
REF	REF	REF	-	A	2-21002-7		SCR, BHC (10-32x.50)56 ADJ BLOCK			95
4	4	4	-	A	2-21002-2		SCR, BHC (8-32x.50) TERM H DWN			94
2	2	2	-	A	2-21002-3		SCR, BHC (8-32x.62)R STP GDE			93
										92
1	1	1	-	A	1-21002-7		SCR, BHC (6-32x.38)CAM			91
										90
1	1	-	-	A	7-21000-9		SCR, SHC (4-40x.19) STRIPPER			89
										88
2	2	2	-	A	3-21000-0		SCR, SHC (8-32x.88) DEP-HOLD			87
1	1	1	-	A	2-22603-0		SCR, HEX HD (8-32x.31)FEED FINGER			86
2	2	2	-	A	1-21000-3		SCR, SHC (4-40x.25)FR ST GUIDE			85
1	1	1	-	A	2-21000-7		SCR, SHC (8-32x.50) STRIPPER			84
REF	REF	REF	-	A	3-21000-7		SCR, SHC (10-32x.75)FEED ROD GD			83
REF	REF	REF	-	A	3-21000-6		SCR, SHC (10-32x.62)FD ADJ BLK			82
1	1	1	-	A	3-21000-4		SCR, SHC (10-32x.38)56 ADJ BL			81
REF	REF	REF	-	A	3-21000-4		SCR, SHC (10-32x.38)PIVOT BLK			80
-	REF	-	-	B	455749-1		GUARD, WINDOW			79
REF	-	-	-	B	679532-1		INSERT, GUARD			78
-	1	-	-	C	1-465184-0		LUBRICATOR ASSY			77
										76
										75
1	1	1	-	A	690603-1		SPRING, ASSIST			74
1	1	1	-	A	23030-1		SCR, SHC (6-32x.25 SL) INS DISC			73
REF	REF	REF	-	A	458109-1		WASHER, SPECIAL			72
REF	REF	REF	-	A	690517-1		SPACER			71

REV	LEADMAKER	MECH POST FEED	MECH PRE FEED
-1	LEADMAKER	MECH POST FEED	
-2	BENCH MODEL K	MECH PRE FEED	
-3	BENCH MODEL G	MECH PRE FEED	

REV	REF	REF	REF	REF	QTY	DESCRIPTION	ITEM NO
REF	REF	REF	-	B	22594-8	NUT, HEX (1/2-20)	70
REF	REF	REF	-	B	240628-1	PLATE, ADJUSTMENT	69
REF	REF	REF	-	B	240626-1	SHAFT, PIVOT	68
REF	REF	REF	-	B	240633-1	BUSHING	67
REF	REF	REF	-	A	455680-1	LEVER, INTERMEDIATE	66
REF	REF	REF	-	B	240629-1	BLOCK, PIVOT	65
REF	REF	REF	-	A	240632-2	SCREW, ADJ FEED ROD	64
REF	REF	REF	-	B	240659-3	PIN, CAM ROLLER	63
REF	REF	REF	-	B	240658-1	ROLLER, CAM	62
REF	REF	REF	-	B	454398-2	ROD, FEED	61
REF	REF	REF	-	A	454178-1	GUIDE, FEED ROD	60
REF	REF	REF	-	C	454220-1	CAP, RAM	59
REF	REF	REF	-	D	454485-1	HOUSING	58
							57
1	1	1	-	B	458537-2	PAWL, FEED	56
REF	REF	REF	-	B	240624-1	PIN, FEED FINGER	55
REF	REF	REF	-	B	691499-1	SPRING, FEED FINGER	54
REF	REF	REF	-	B	690541-1	HOLDER, FEED FINGER	53
REF	REF	REF	-	A	455679-2	LEVER, TERMINAL FEED ARM	52
1	1	1	-	A	811242-2	BUMPER, HOLDDOWN	51
1	1	1	-	A	690753-1	SPACER, TONKER	50
1	-	-	-	B	690602-6	CAM, PRE-FEED 1 5/8 ST	49
-	1	-	-	B	690602-5	CAM, PRE-FEED 1 1/8 ST	48
-	-	-	-	B	690501-4	CAM, POST-FEED 1 5/8 ST	47
1	1	1	-	B	459456-2	APPLICATOR, BASIC (SUBASSY)	46
1	1	1	-	A	690191-1	PLUG, NYLON	45
1	1	1	-	C	455673-1	RAM	44
1	1	1	-	A	690125-1	WASHER, LAMINATED	43
1	1	1	-	A	690124-1	WASHER, RAM	42
1	1	1	-	A	7-21002-9	BOLT, CRIMPER (5/16x1.00)	41
1	1	1	-	A	23241-6	BALL, STEEL	40
1	1	1	-	A	690170-1	SPRING, COMPRESSION	39
1	1	1	-	C	690142-1	DISC, INSULATION	38
1	1	1	-	D	354777-1	WIRE DISC, PLASTIC	37
1	1	1	-	A	22480-5	WASHER, SPRING	36
1	1	1	-	B	690212-1	POST, RAM	35
1	1	1	-	B	690786-2	SUPPORT, TERMINAL	34
REF	REF	REF	-	D	455675-1	PLATE, BASE	33
1	1	1	-	A	690432-3	SCREW, ADJUSTMENT	32
							31
REF	REF	REF	-	B	455689-1	BLOCK, STRIP GUIDE ADJ	30
1	1	1	-	C	458144-1	PLATE, STRIP GUIDE	29
1	1	1	-	C	2-455888-2	SPACER, FRONT SHEAR DEP	28
2	2	2	-	A	1-22284-0	SPRING, DRAG	27
1	1	1	-	B	240793-1	LEVER, DRAG RELEASE	26
1	1	1	-	B	240792-1	DRAG, TERMINAL	25
1	1	1	-	D	1-90765-8	GUIDE, STRIP (REAR)	24
1	1	1	-	A	1-690438-0	GUIDE, STRIP (FRONT)	23
-	-	1	-	B	690472-2	STRIPPER	22
REF	REF	REF	-	A	4-22284-9	SPRING, FEED RETURN	21
1	1	-	-	A	679218-1	STRIPPER WIRE STOP ASSY	20
1	1	-	-	B	458949-1	STRIPPER	19
							18
							17
1	1	1	-	B	318563-1	GUARD, CHIP, FRONT	16
							15
							14
							13
1	1	1	-	A	5-22280-0	SPRING, SHEAR	12
1	1	1	-	B	690461-1	STOP, SHEAR	11
1	1	1	-	C	690459-1	HOLDER, SHEAR (FRONT)	10
1	1	1	-	C	1-454276-9	SHEAR, FLOAT (FRONT)	9
1	1	1	-	C	5-662187-1	ANVIL	8
1	1	1	-	C	6-240641-8	SPACER, DEPRESSOR (REAR)	7
							6
1	1	1	-	C	1-455889-4	DEPRESSOR, SHEAR (FRONT)	5
1	1	1	-	B	238011-2	SPACER, BLOCK CRIMPER	4
1	1	1	-	C	4-456135-8	CRIMPER, INSULATION	3
1	1	1	-	C	455888-5	SPACER, CRIMPER	2
1	1	1	-	C	6-456406-0	CRIMPER, WIRE	1



- 1 RECOMMENDED SPARE PARTS.
- 2 GREASE LIGHTLY.
- 3 GUARD MUST BE IN PLACE WHEN OPERATING APPLICATOR IN A BENCH MACHINE.
- 4 LUBRICATE DAILY USING NO. 20 MACHINE OIL.
- 5. ITEMS WITH QTY OF REF SPECIFIED (EXCEPT ITEMS 78 AND 79) ARE USED ON ITEM 46.



QTY	RECD	PER	ASSY	PARTS LIST	REVISION OF EACH ASSY NO (WHEN BLANK, USE DWG REVISION)
-3	-2	-1	U/M	DWG SIZE	

DIMENSIONS IN INCHES. DO NOT SCALE PRINT. TOLERANCES UNLESS OTHERWISE SPECIFIED:	MATL	HT TR	FIN
DR 06FEB03 APP 06FEB03 T.ELBIN	-	-	-
REL 05MAR03 R.KNEPPER	-	-	-

NAME	SCALE	DWG NO	1385556	MACHINE REF	MINI APPL
SIDE FEED HDM APPLICATOR					
LOC A					
DIST 66					

REMOVED	APPROVED	DATE
A	RELEASED	MAR03
P/F	REVISION RECORD	

CASE CODE	00779	CUSTOMER AND ASSEMBLY DRAWING	RESTRICTED TO

THIS DRAWING IS A CONTROLLED DOCUMENT.

THIS DRAWING IS UNRELEASED - FOR PUBLICATION RELEASE FOR PUBLICATION MARCH 05, 2003 BY AMP INCORPORATED. ALL RIGHTS RESERVED. © COPYRIGHT 2003

Mouser Electronics

Authorized Distributor

Click to View Pricing, Inventory, Delivery & Lifecycle Information:

[TE Connectivity:](#)

[1385556-1](#)