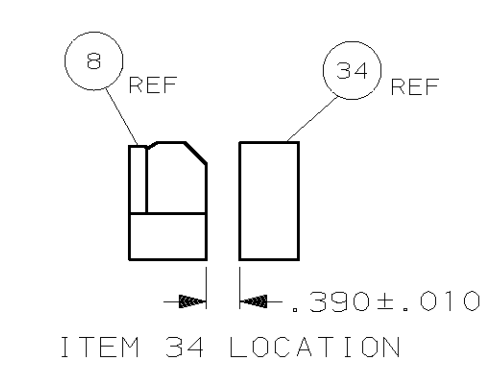
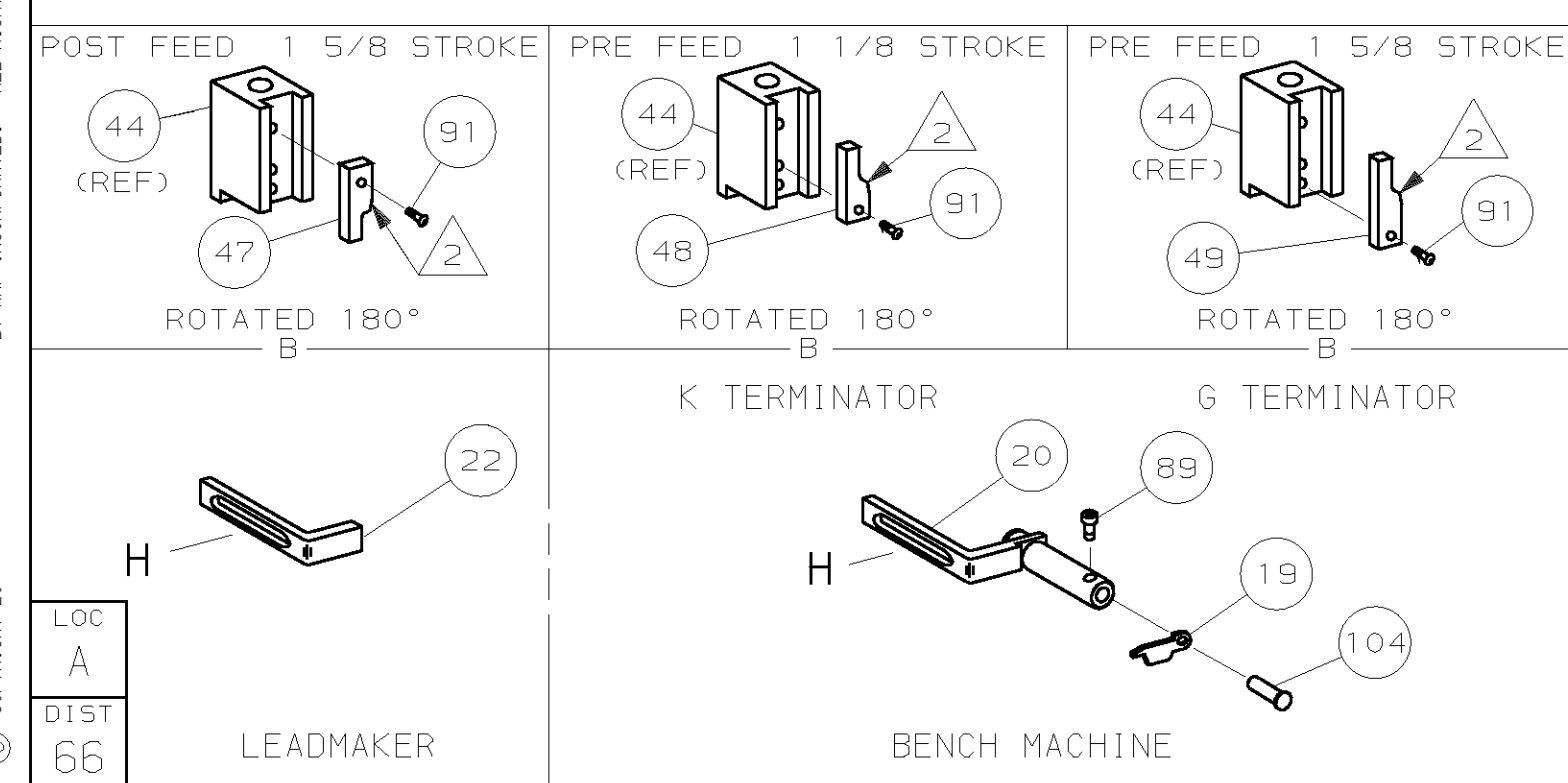
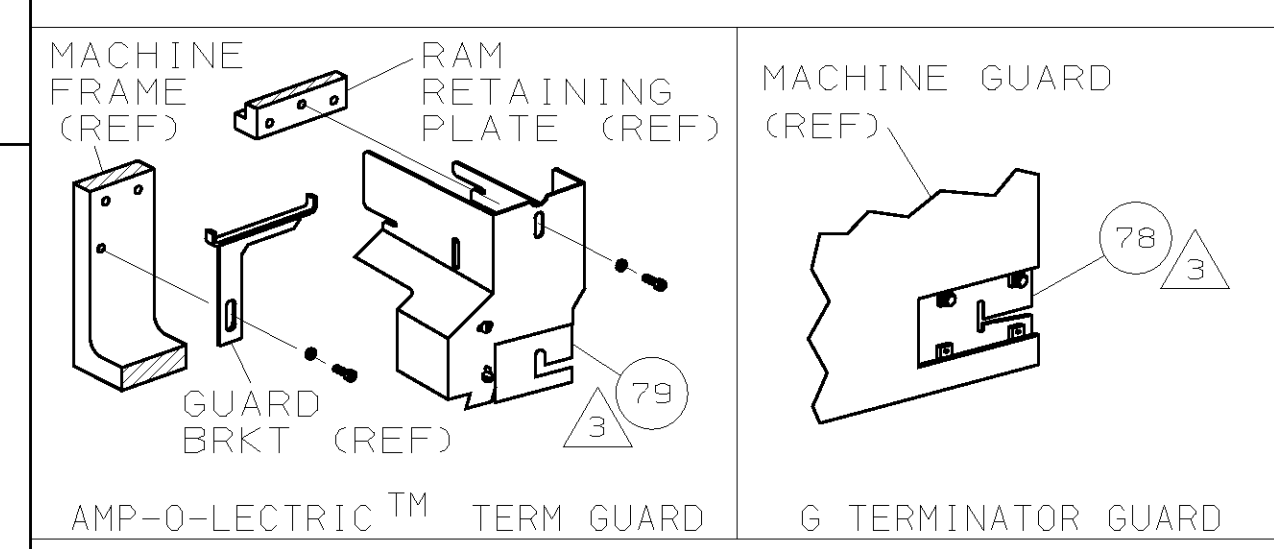
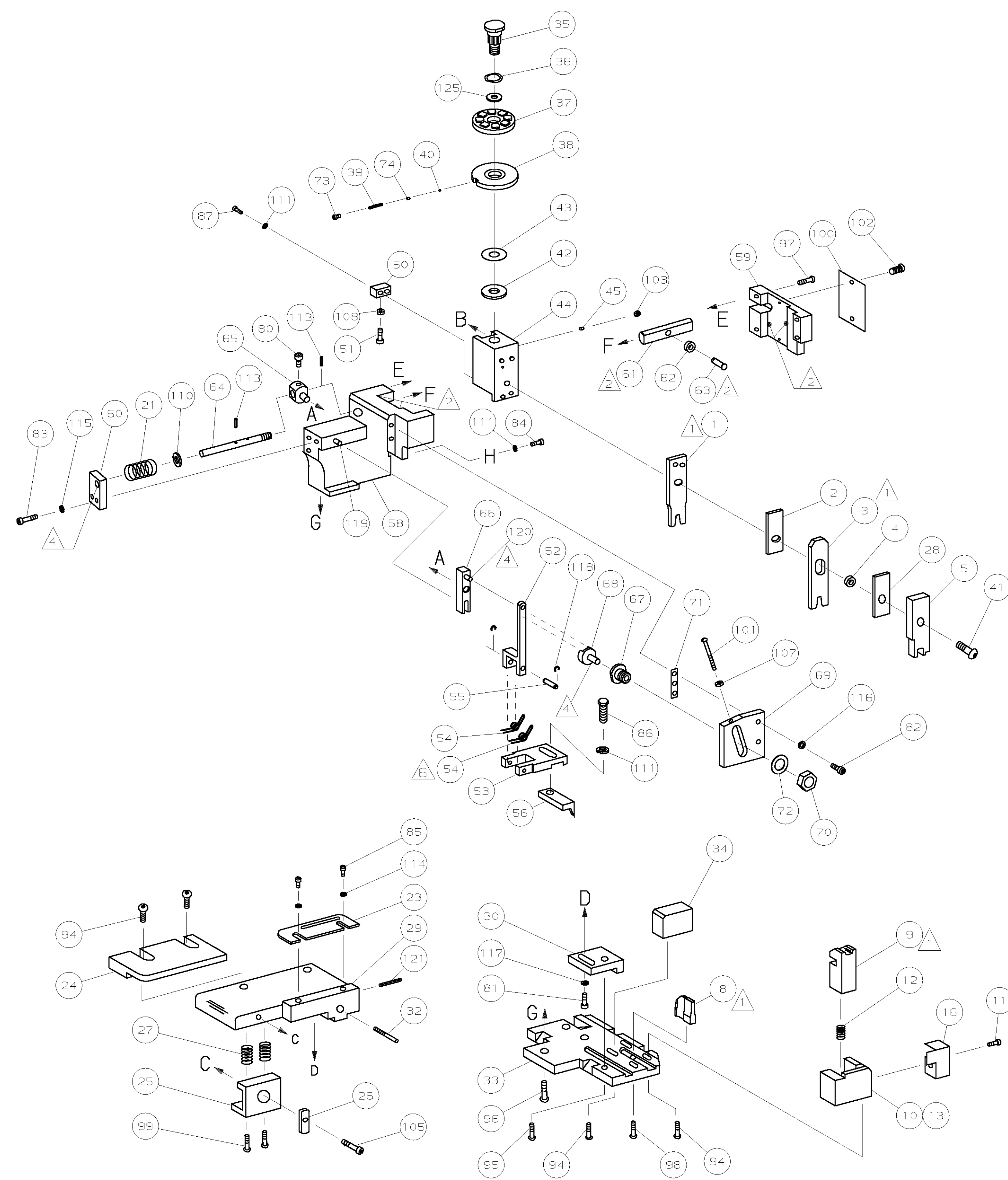
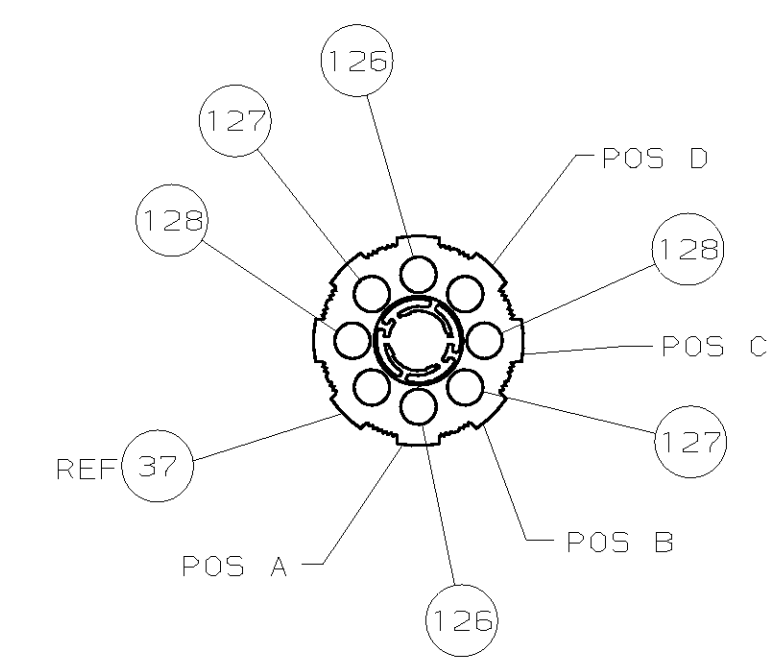




THIS DRAWING IS A CONTROLLED DOCUMENT.

1385525



REV	DATE	DESCRIPTION
1	13DEC02	APP T.ELBIN
2		PLC DEC ±
3		PLC DEC ±
4		PLC DEC ±
5		PLC DEC ±
6		PLC DEC ±
7		PLC DEC ±
8		PLC DEC ±
9		PLC DEC ±
10		PLC DEC ±
11		PLC DEC ±
12		PLC DEC ±
13		PLC DEC ±
14		PLC DEC ±
15		PLC DEC ±
16		PLC DEC ±
17		PLC DEC ±
18		PLC DEC ±
19		PLC DEC ±
20		PLC DEC ±
21		PLC DEC ±
22		PLC DEC ±
23		PLC DEC ±
24		PLC DEC ±
25		PLC DEC ±
26		PLC DEC ±
27		PLC DEC ±
28		PLC DEC ±
29		PLC DEC ±
30		PLC DEC ±
31		PLC DEC ±
32		PLC DEC ±
33		PLC DEC ±
34		PLC DEC ±
35		PLC DEC ±
36		PLC DEC ±
37		PLC DEC ±
38		PLC DEC ±
39		PLC DEC ±
40		PLC DEC ±
41		PLC DEC ±
42		PLC DEC ±
43		PLC DEC ±
44		PLC DEC ±
45		PLC DEC ±
46		PLC DEC ±
47		PLC DEC ±
48		PLC DEC ±
49		PLC DEC ±
50		PLC DEC ±
51		PLC DEC ±
52		PLC DEC ±
53		PLC DEC ±
54		PLC DEC ±
55		PLC DEC ±
56		PLC DEC ±
57		PLC DEC ±
58		PLC DEC ±
59		PLC DEC ±
60		PLC DEC ±
61		PLC DEC ±
62		PLC DEC ±
63		PLC DEC ±
64		PLC DEC ±
65		PLC DEC ±
66		PLC DEC ±
67		PLC DEC ±
68		PLC DEC ±
69		PLC DEC ±
70		PLC DEC ±
71		PLC DEC ±
72		PLC DEC ±
73		PLC DEC ±
74		PLC DEC ±
75		PLC DEC ±
76		PLC DEC ±
77		PLC DEC ±
78		PLC DEC ±
79		PLC DEC ±
80		PLC DEC ±
81		PLC DEC ±
82		PLC DEC ±
83		PLC DEC ±
84		PLC DEC ±
85		PLC DEC ±
86		PLC DEC ±
87		PLC DEC ±
88		PLC DEC ±
89		PLC DEC ±
90		PLC DEC ±
91		PLC DEC ±
92		PLC DEC ±
93		PLC DEC ±
94		PLC DEC ±
95		PLC DEC ±
96		PLC DEC ±
97		PLC DEC ±
98		PLC DEC ±
99		PLC DEC ±
100		PLC DEC ±
101		PLC DEC ±
102		PLC DEC ±
103		PLC DEC ±
104		PLC DEC ±
105		PLC DEC ±
106		PLC DEC ±
107		PLC DEC ±
108		PLC DEC ±
109		PLC DEC ±
110		PLC DEC ±
111		PLC DEC ±
112		PLC DEC ±
113		PLC DEC ±
114		PLC DEC ±
115		PLC DEC ±
116		PLC DEC ±
117		PLC DEC ±
118		PLC DEC ±
119		PLC DEC ±
120		PLC DEC ±
121		PLC DEC ±
122		PLC DEC ±
123		PLC DEC ±
124		PLC DEC ±
125		PLC DEC ±
126		PLC DEC ±
127		PLC DEC ±
128		PLC DEC ±
129		PLC DEC ±

QTY	REQD	PER	ASSY	PART NO	DESCRIPTION	ITEM NO
REVISION OF EACH ASSY NO (WHEN BLANK, USE DWG REVISION)						
PARTS LIST						
MATL	-	HT TR	-	FIN	-	-
DR	13DEC02	APP	13DEC02	Tyco Electronics Harrisburg, PA 17105-3608		
CHK	-	REL	-	AMP		
NAME SIDE FEED HDM APPLICATOR						MACHINE REF MINI APPL
SCALE	-	DWG NO	1385525	SHEET	2 OF 2	REV 0
REMOVE BURRS, BREAK SHARP EDGES R.015 MAX						
DIMENSIONS IN INCHES. DO NOT SCALE PRINT. TOLERANCES UNLESS OTHERWISE SPECIFIED:						
SURF TEXTURE: ✓						
REVISION RECORD						
P/F	LTR	REV	DATE	APP	DATE	
SEE SHEET 1						
CUSTOMER AND ASSEMBLY DRAWING						

THIS DRAWING IS UNRELEASED. RELEASED FOR PUBLICATION BY AMP INCORPORATED. ALL RIGHTS RESERVED. AMP 1756 REV 3-92

THIS DRAWING IS UNRELEASED. RELEASED FOR PUBLICATION BY AMP INCORPORATED. ALL RIGHTS RESERVED. AMP 1756 REV 3-92

# Mouser Electronics

Authorized Distributor

Click to View Pricing, Inventory, Delivery & Lifecycle Information:

[TE Connectivity:](#)

[1385525-1](#)