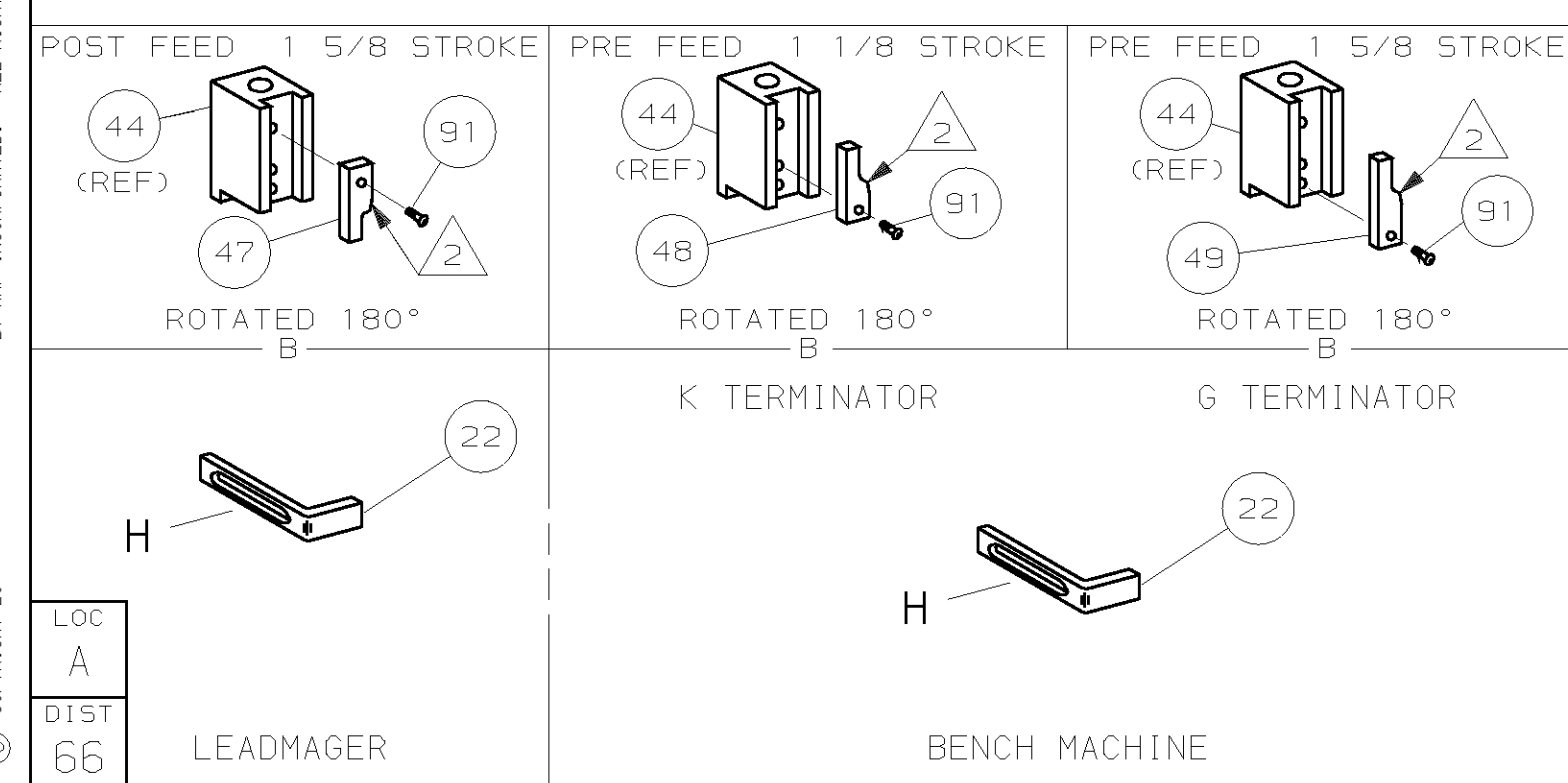
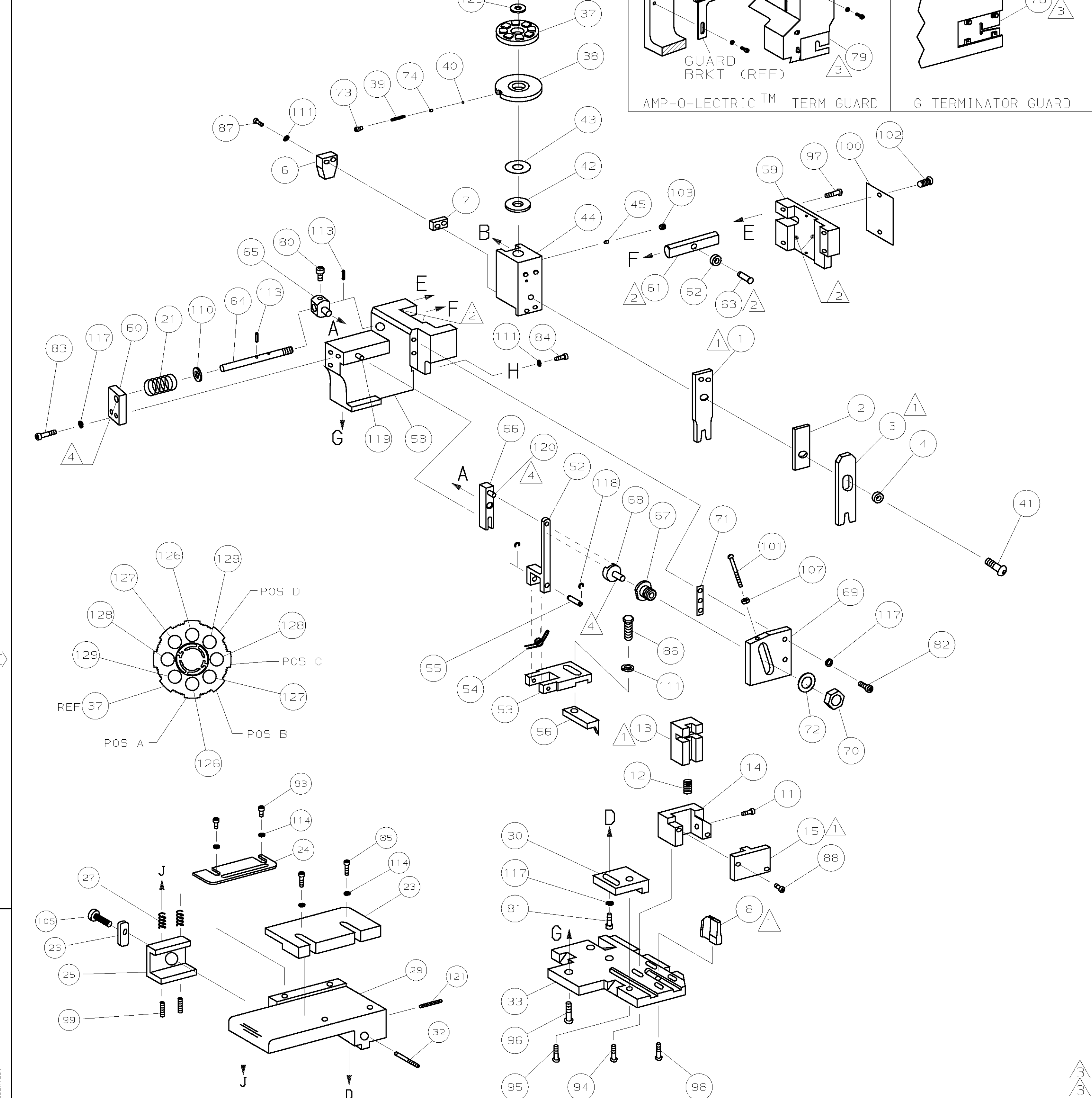


PART NUMBER	REV	FIRST USED
1385493-1	A	122500-1
1385493-2	A	565435-5
1385493-3	A	354500-1



- 1 RECOMMENDED SPARE PARTS.
- 2 GREASE LIGHTLY.
- 3 GUARD MUST BE IN PLACE WHEN OPERATING APPLICATOR IN A BENCH MACHINE.
- 4 LUBRICATE DAILY USING NO. 20 MACHINE OIL.

AMP TERM PN		MFR TERM PN		ARK-LTES TERMINAL		AMP CRIMP SPECS	
PAD LTR	CRIMP HEIGHT	WIRE SIZE		CRIMP	SIZE	TYPE	RANGE
1572171	3000H83AB-3			A	.081 ±.002 [2.06 ±0.05mm]	14	
				B	.072 ±.002 [1.83 ±0.05mm]	16	
				C	.066 ±.002 [1.68 ±0.05mm]	18	
				D	.063 ±.002 [1.60 ±0.05mm]	20	
				WIRE	.110 [2.79mm]	F	20-14
				INSUL	.180 [4.57mm]	F	∅.140 MAX

WIRE STRIP LENGTH	TERM APPL	SPEC	FEED	APPL INSTRUCTION	SET UP GAGE	LAYOUT
.188-.219	NONE		.671	408-8040	458637-1	L2726

QTY	REQD	PER	ASSY	PARTS LIST
2	2	2	-	C 354779-6 PIN, WIRE DISC (.3020)D 129
2	2	2	-	C 9-354778-8 PIN, WIRE DISC (.2985)C 128
2	2	2	-	C 8-354778-6 PIN, WIRE DISC (.2925)B 127
2	2	2	-	C 6-354778-8 PIN, WIRE DISC (.2835)A 126
1	1	1	-	A 986950-1 WASHER, FLAT PRECISION 125
1	1	1	-	A 217238-1 GENERAL INSTRUCTION PACKAGE 124
1	1	1	-	- 4088040 SF APPL INST 408-8040 123
				122
1	1	1	-	A 4-21028-0 PIN, SLT SPR (∅.093x.75)ST GDE PL 121
1	1	1	-	A 1-21030-1 PIN, DOWEL (∅.187x.50)LEVER 120
1	1	1	-	A 1-21030-6 PIN, DOWEL (∅.187x1.25)HOUSING 119
2	2	2	-	A 21045-3 RING, RET "C" (∅.187)FD FING PIN 118
5	5	5	-	A 21024-5 WASHER, LOCK (#10)ADJ BLOCK 117
2	2	2	-	A 21024-5 WASHER, LOCK (#10)ADJ PLATE 116
2	2	2	-	A 21024-5 WASHER, LOCK (#10)FEED GDE ROD 115
4	4	4	-	A 21024-2 WASHER, LOCK (#4)FRONT STP GUIDE 114
2	2	2	-	A 5-21028-1 PIN, SLT SPR (∅.125x.50)ADJ ROD 113
				112
4	4	4	-	A 21024-4 WASHER, LOCK (#8)STRIPPER 111
1	1	1	-	A 21899-4 WASHER, FLAT (∅5/16)SCREW ADJ 110
				109
				108
1	1	1	-	A 21068-5 NUT, HEX (6-32)FEED ADJ 107
				106
1	1	1	-	A 22353-8 SCR, SHLD, SLOT HEAD (8-32) 105
				104
1	1	1	-	A 21009-2 SCR, SKT 5ET (1/4-20x.25 LW)RAM 103
2	2	2	-	A 21017-2 SCR, DRIVE (#2x.19)ID PLATE 102
1	1	1	-	A 6-23715-5 SCR, PAN HD (6-32x1.50)FEED ADJ 101
1	1	1	-	B 461264-1 PLATE, IDENTIFICATION 100
2	2	2	-	A 5-21006-6 SCR, SET (10-32x.88)DRAG 99
1	1	1	-	A 22733-8 SCR, BHC (8-32x.38 LW)ANVIL 98
4	4	4	-	A 2-21002-9 SCR, BHC (10-32x.75)CAP 97
3	3	3	-	A 2-22733-8 SCR, BHC (1/4-20x.62)HOUSING 96
1	1	1	-	A 2-21002-7 SCR, BHC (10-32x.50)56 ADJ BLOCK 95
2	2	2	-	A 2-21002-2 SCR, BHC (8-32x.50)TERM H DWN 94
2	2	2	-	A 1-21000-3 SCR, SHC (4-40x.25)R STP GDE 93
				92
1	1	1	-	A 1-21002-7 SCR, BHC (6-32x.38)CAM 91
				90
				89
2	2	2	-	A 1-21000-9 SCR, SHC (6-32x.38)R SHEAR PLATE 88
2	2	2	-	A 2-21000-9 SCR, SHC (8-32x.75)DEP-HOLD 87
1	1	1	-	A 2-22603-0 SCR, HEX HD (8-32x.31)FEED FINGER 86
2	2	2	-	A 1-21000-5 SCR, SHC (4-40x.50)FR ST GUIDE 85
1	1	1	-	A 2-21000-7 SCR, SHC (8-32x.50)STRIPPER 84
2	2	2	-	A 3-21000-7 SCR, SHC (10-32x.75)FEED ROD GD 83
2	2	2	-	A 3-21000-6 SCR, SHC (10-32x.62)FD ADJ BLK 82
1	1	1	-	A 3-21000-4 SCR, SHC (10-32x.38)56 ADJ BL 81
1	1	1	-	A 3-21000-4 SCR, SHC (10-32x.38)PIVOT BLK 80
-	REF	-	-	B 455749-1 GUARD, WINDOW 79
REF	-	-	-	B 679532-1 INSERT, GUARD 78
				77
				76
				75
1	1	1	-	A 690603-1 SPRING, ASSIST 74
1	1	1	-	A 23030-1 SCR, SHC (6-32x.25 SL)INS DISC 73
1	1	1	-	A 458109-1 WASHER, SPECIAL 72
1	1	1	-	A 690517-1 SPACER 71

QTY	REQD	PER	ASSY	PARTS LIST
-1				LEADMAGER
-2				BENCH MODEL K
-3				BENCH MODEL G
1	1	1	-	B 22594-8 NUT, HEX (1/2-20) 70
1	1	1	-	B 240628-1 PLATE, ADJUSTMENT 69
1	1	1	-	B 240626-1 SHAFT, PIVOT 68
1	1	1	-	B 240633-1 BUSHING 67
1	1	1	-	A 455680-1 LEVER, INTERMEDIATE 66
1	1	1	-	B 240629-1 BLOCK, PIVOT 65
1	1	1	-	A 240632-2 SCREW, ADJ FEED ROD 64
1	1	1	-	B 240659-3 PIN, CAM ROLLER 63
1	1	1	-	B 240658-1 ROLLER, CAM 62
1	1	1	-	B 454398-2 ROD, FEED 61
1	1	1	-	A 454178-1 GUIDE, FEED ROD 60
1	1	1	-	C 454220-1 CAP, RAM 59
1	1	1	-	D 454485-1 HOUSING 58
				57
1	1	1	-	B 3-694433-9 PAWL, FEED 56
1	1	1	-	B 240624-1 PIN, FEED FINGER 55
1	1	1	-	B 691499-1 SPRING, FEED FINGER 54
1	1	1	-	B 690541-1 HOLDER, FEED FINGER 53
1	1	1	-	A 455679-1 LEVER, TERMINAL FEED ARM 52
				51
				50
1	-	-	-	B 690602-6 CAM, PRE-FEED 1 5/8 ST 49
-	1	-	-	B 690602-5 CAM, PRE-FEED 1 1/8 ST 48
-	-	1	-	B 690501-4 CAM, POST-FEED 1 5/8 ST 47
				46
1	1	1	-	A 690191-1 PLUG, NYLON 45
1	1	1	-	C 455673-1 RAM 44
1	1	1	-	A 690125-1 WASHER, LAMINATED 43
1	1	1	-	A 690124-1 WASHER, RAM 42
1	1	1	-	A 7-21002-9 BOLT, CRIMPER (5/16x1.00) 41
1	1	1	-	A 23241-6 BALL, STEEL 40
1	1	1	-	A 690170-1 SPRING, COMPRESSION 39
1	1	1	-	C 690142-1 DISC, INSULATION 38
1	1	1	-	D 354777-1 WIRE DISC, PLASTIC 37
1	1	1	-	A 22480-5 WASHER, SPRING 36
1	1	1	-	B 690212-1 POST, RAM 35
				34
1	1	1	-	D 455675-3 PLATE, BASE 33
1	1	1	-	A 690432-3 SCREW, ADJUSTMENT 32
				31
1	1	1	-	B 455689-1 BLOCK, STRIP GUIDE ADJ 30
1	1	1	-	C 1-844048-7 PLATE, STRIP GUIDE 29
				28
2	2	2	-	A 1-22284-0 SPRING, DRAG 27
1	1	1	-	B 240793-1 LEVER, DRAG RELEASE 26
1	1	1	-	B 1673009-1 DRAG, TERMINAL 25
1	1	1	-	D 690438-1 GUIDE, STRIP (REAR) 24
1	1	1	-	A 1-189124-1 GUIDE, STRIP (FRONT) 23
1	1	1	-	B 690472-2 STRIPPER 22
1	1	1	-	A 4-22284-9 SPRING, FEED RETURN 21
				20
				19
				18
				17
				16
1	1	1	-	B 1673256-1 PLATE, SHEAR (REAR) 15
1	1	1	-	B 1673255-1 HOLDER, SHEAR (REAR) 14
1	1	1	-	C 1673257-1 SHEAR, FLOAT (REAR) 13
1	1	1	-	A 5-22280-0 SPRING, SHEAR 12
1	1	1	-	B 690461-2 STOP, SHEAR 11
				10
				9
1	1	1	-	C 3-662189-0 ANVIL 8
1	1	1	-	C 6-240641-8 SPACER, DEPRESSOR (REAR) 7
1	1	1	-	A 690468-6 DEPRESSOR, SHEAR (REAR) 6
				5
1	1	1	-	B 238009-1 SPACER, BLOCK CRIMPER 4
1	1	1	-	C 4-456134-6 CRIMPER, INSULATION 3
1	1	1	-	C 1-455888-2 SPACER, CRIMPER 2
1	1	1	-	C 2-456408-0 CRIMPER, WIRE 1

QTY	REQD	PER	ASSY	PARTS LIST
-3	-2	-1	U/M	DWG SIZE
				REVISION OF EACH ASSY NO (WHEN BLANK, USE DWG REVISION)

Mouser Electronics

Authorized Distributor

Click to View Pricing, Inventory, Delivery & Lifecycle Information:

[TE Connectivity:](#)

[1385493-2](#)