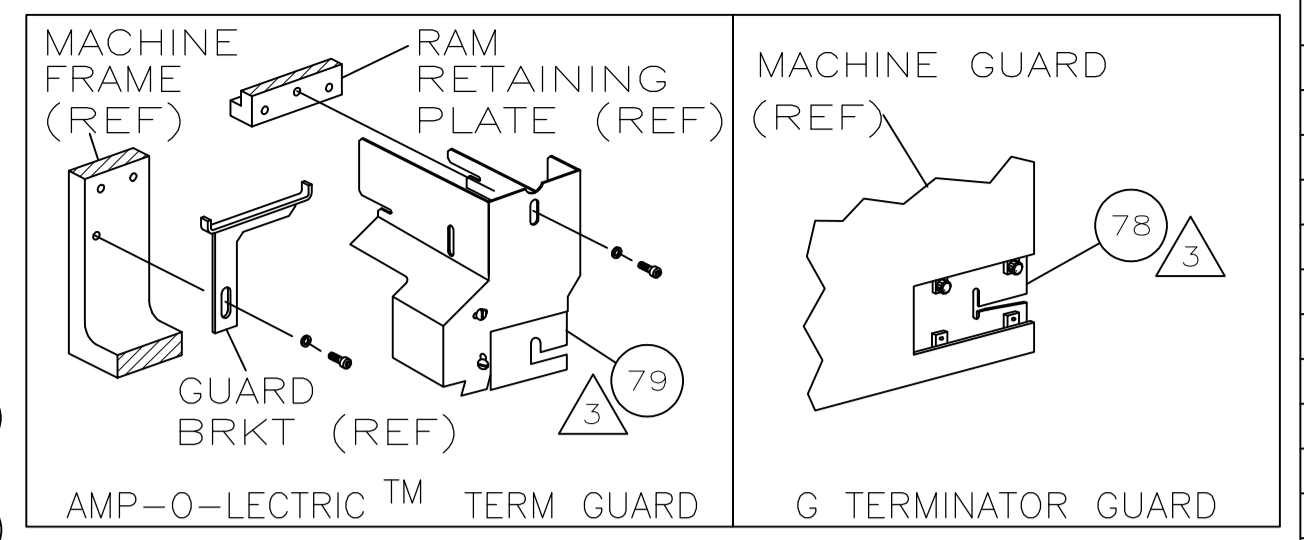
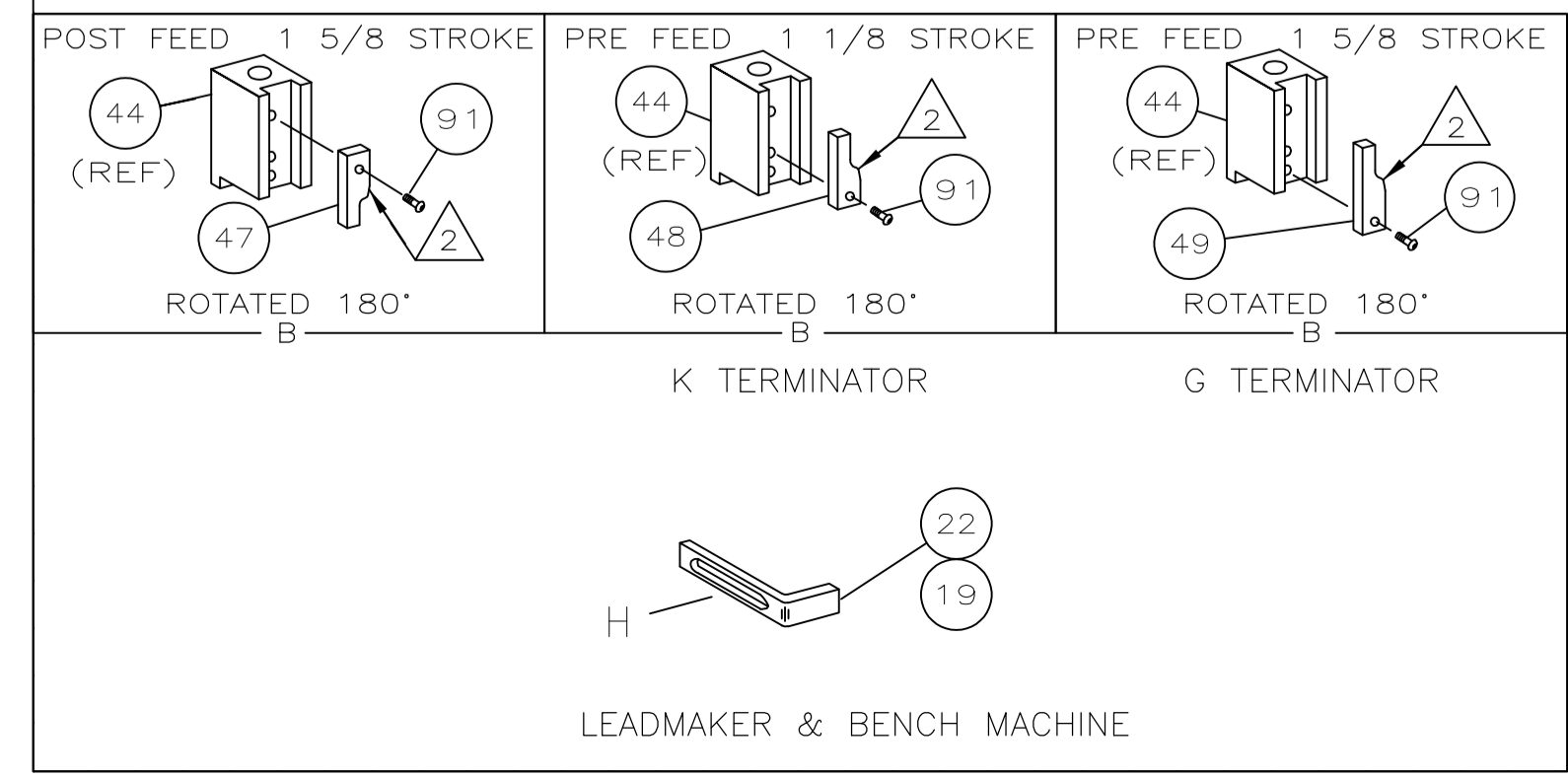
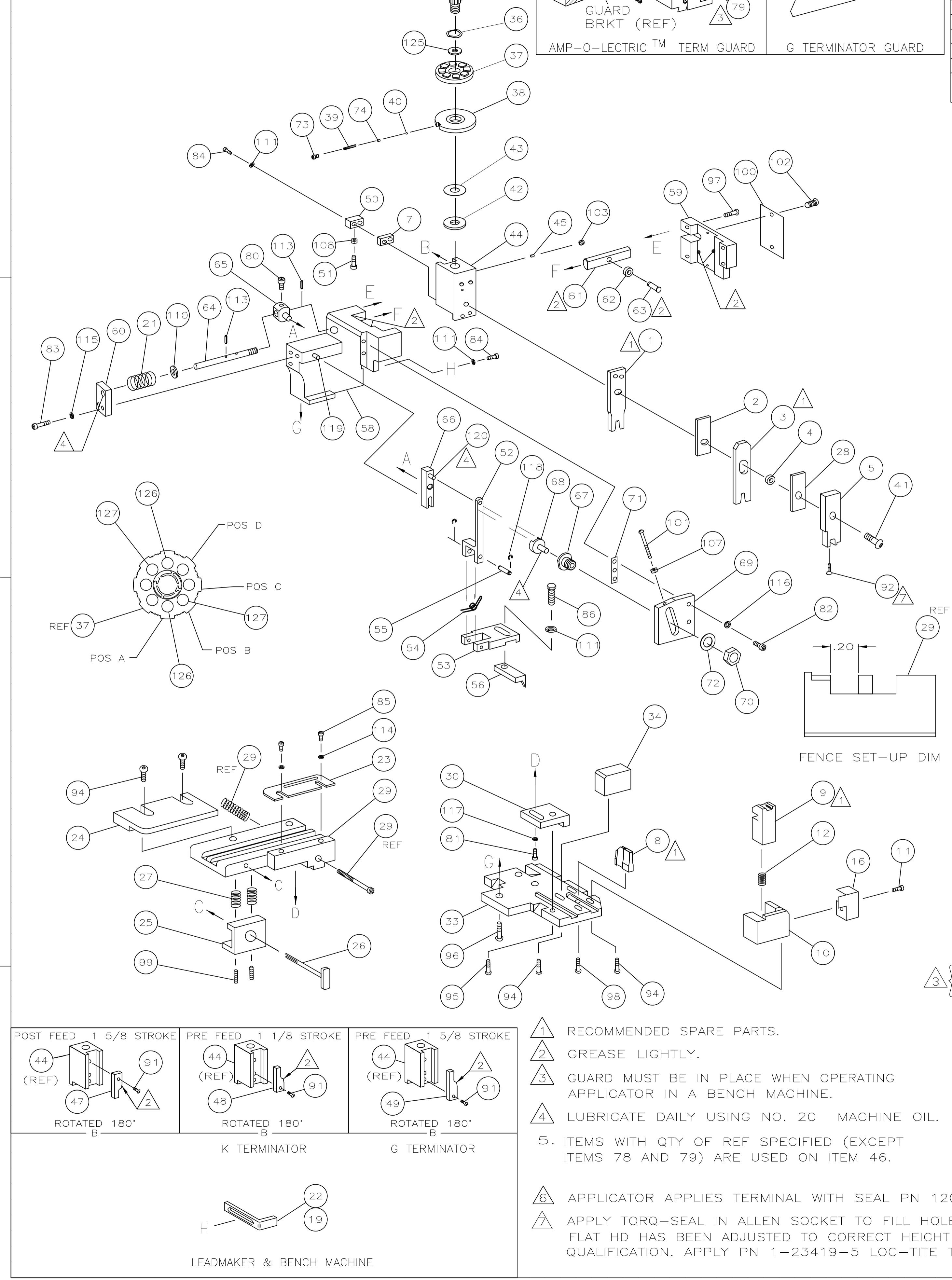


Table with 3 columns: PART NUMBER, REV, FIRST USED. Rows 1385240-1, 1385240-2, 1385240-3.



- 1 RECOMMENDED SPARE PARTS.
2 GREASE LIGHTLY.
3 GUARD MUST BE IN PLACE WHEN OPERATING APPLICATOR IN A BENCH MACHINE.
4 LUBRICATE DAILY USING NO. 20 MACHINE OIL.
5. ITEMS WITH QTY OF REF SPECIFIED (EXCEPT ITEMS 78 AND 79) ARE USED ON ITEM 46.
6 APPLICATOR APPLIES TERMINAL WITH SEAL PN 12052925.
7 APPLY TORQ-SEAL IN ALLEN SOCKET TO FILL HOLE AFTER FLAT HD HAS BEEN ADJUSTED TO CORRECT HEIGHT AT QUALIFICATION. APPLY PN 1-23419-5 LOC-TITE TO THREADS.

Terminal Name: TERM F M/P 150 SER. Table with columns: AMP PN, MFR PN, SEAL PN, MFR PN, CRIMP HEIGHT, WIRE SIZE, CRIMP, SIZE, TYPE, RANGE, FEED, APPL INSTRUCTION, SET UP GAGE, LAYOUT.

Parts List Table with columns: QTY REQD PER ASSY, PART NO, DESCRIPTION, ITEM NO. Lists various screws, washers, springs, and guides.

Revision table with columns: LOC, DIST, REVISIONS, DESCRIPTION, DATE, DW, APVO. Row 1: A, 66, ECR-09-013446, 6-2009, MY, TE.

Leadmaker and Bench Model specifications table.

Main Parts List Table with columns: REF, REF, REF, QTY REQD PER ASSY, PART NO, DESCRIPTION, ITEM NO. Lists hundreds of components with their reference numbers.

Controlled Document header with Tyco Electronics logo, drawing title 'SIDE FEED HDM APPLICATOR', and drawing details like dimensions, tolerances, and customer drawing ID A100779.

Mouser Electronics

Authorized Distributor

Click to View Pricing, Inventory, Delivery & Lifecycle Information:

[TE Connectivity:](#)

[1385240-1](#)