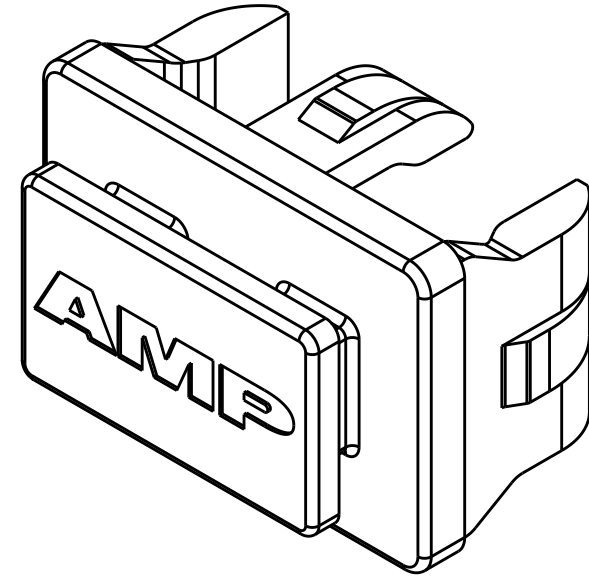
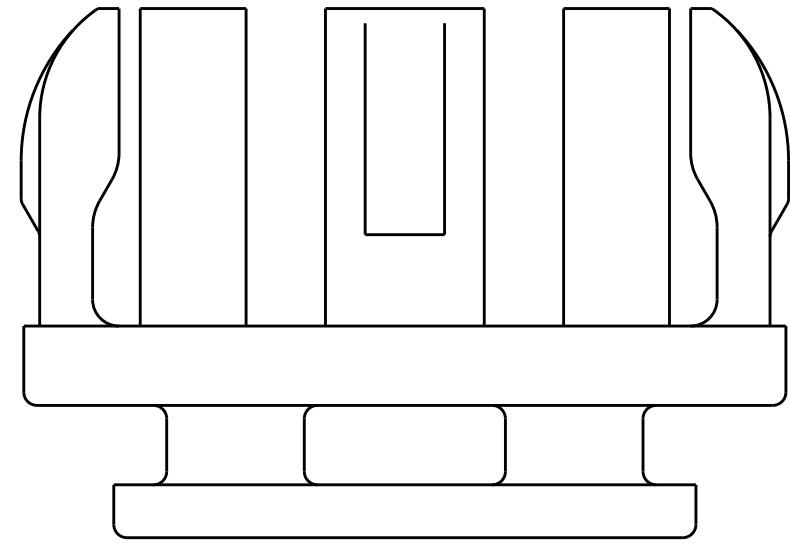


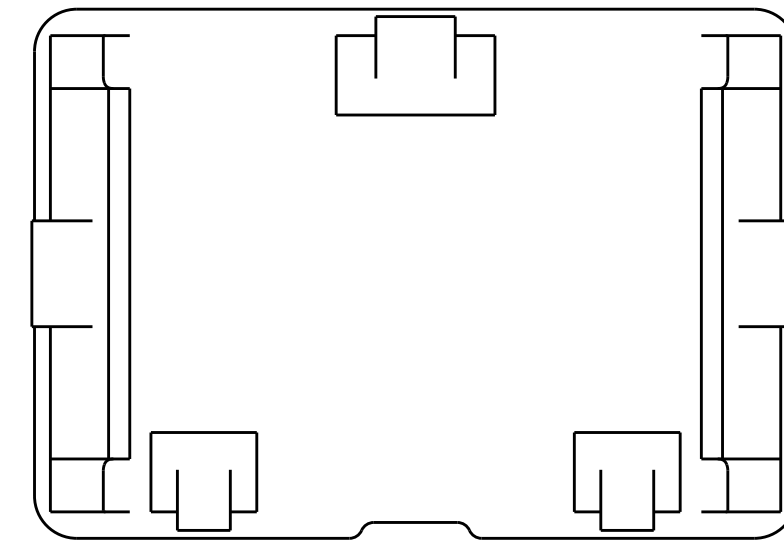
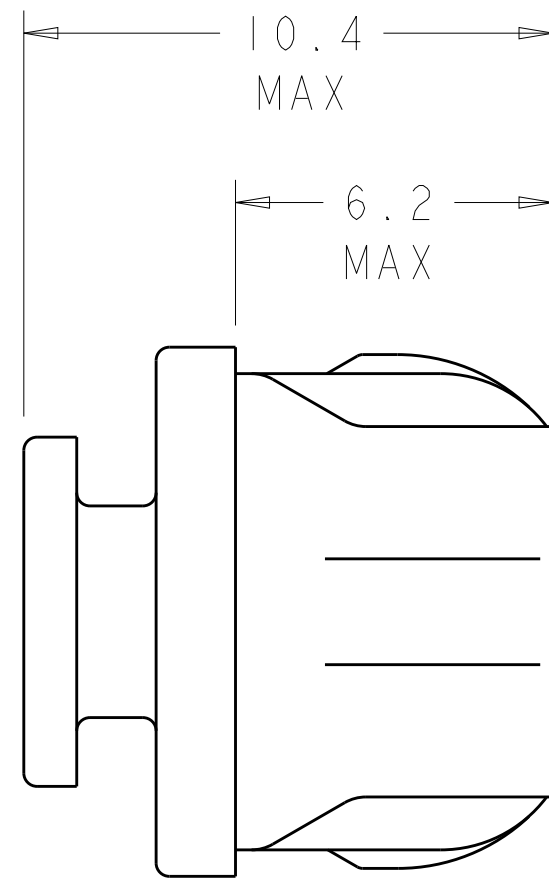
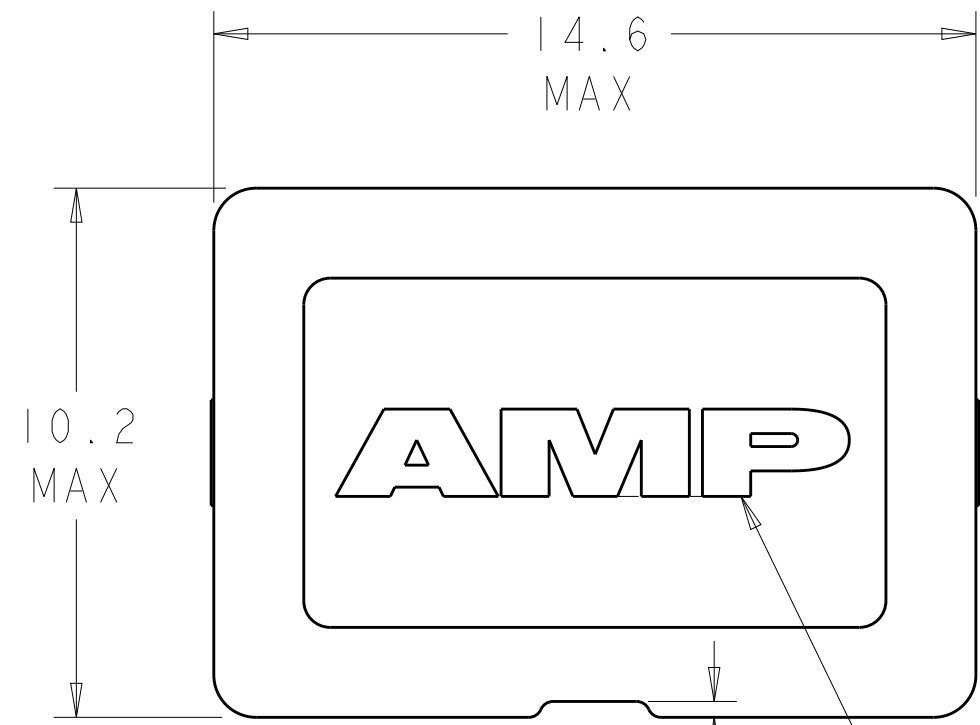
THIS DRAWING IS UNPUBLISHED. RELEASED FOR PUBLICATION 20
 © COPYRIGHT 20 ALL RIGHTS RESERVED.

LOC	DIST	REVISIONS					
GP	00	P	LTR	DESCRIPTION	DATE	DWN	APVD
		C3		REVISED PER ECO-14-011961	5AUG2014	KS	MQ.W
		C4		REVISED PER ECO-15-007319	3JUN2015	JW	SH
		C5		REVISED PER ECO-15-011593	10AUG2015	JW	SH



SCALE 5:1

- ① THERMOPLASTIC MOLDING COMPOUND.
- ② TIN PLATING OVER COPPER PLATING.
- ③ OBSOLETE.



AMP LOGO FOR -1 & -2
 0.3 REF
 2.5 REF

NO	-	①	1367147-3
YES	②	1367147-1	③ 1367147-2
YES	-	①	1367147-1
AMP LOGO	FINISH	MATERIAL	PART NUMBER

THIS DRAWING IS A CONTROLLED DOCUMENT.		DWN P. KERLIN 30AUG2000	STE TE Connectivity	
DIMENSIONS: mm		CHK E. BRIGHT 30AUG2000		
TOLERANCES UNLESS OTHERWISE SPECIFIED:		APVD E. BRIGHT 30AUG2000	NAME COVER, SFP	
0 PLC ±		PRODUCT SPEC	SIZE CAGE CODE DRAWING NO RESTRICTED TO	
1 PLC ±		APPLICATION SPEC	A200779 C-1367147	
2 PLC ±		WEIGHT	SCALE 7:1 SHEET 1 OF 1 REV C5	
3 PLC ±		CUSTOMER DRAWING		
4 PLC ±				
ANGLES ±				
FINISH				
SEE TABLE				
SEE TABLE				

Mouser Electronics

Authorized Distributor

Click to View Pricing, Inventory, Delivery & Lifecycle Information:

[TE Connectivity:](#)

[1367147-3](#)