

THIS DRAWING IS UNPUBLISHED.

RELEASED FOR PUBLICATION SEPT , 2005.

© COPYRIGHT 2005 By -

ALL RIGHTS RESERVED.

LOC	DIST	REVISIONS					
E	B	P	LTR	DESCRIPTION	DATE	DWN	APVD
		D1		REVISED PER ECO-11-005033	31MAR11	RK	HMR

NOTES:

- 1 PACK IN ACCORDANCE WITH AMP SPEC 107-3275
- 2 100 TRAY PACK IN ACCORDANCE WITH AMP SPEC 107-3275
- 3 Au PLATING

4 ELECTRICAL CHARACTERISTICS

FREQUENCY RANGE: DC - 4 GHz
 NOMINAL IMPEDANCE: 50 Ohm
 INSULATION RESISTANCE: 1000 MOhm
 WORKING VOLTAGE: 250 Volts RMS at Sea Level
 DIELECTRIC WITHSTAND VOLTAGE: 750 Volts RMS Max
 CONTACT RESISTANCE:
 CENTRE CONTACT: 6.00 mOhm Max
 OUTER CONTACT: 1.00 mOhm Max

5 MECHANICAL CHARACTERISTICS

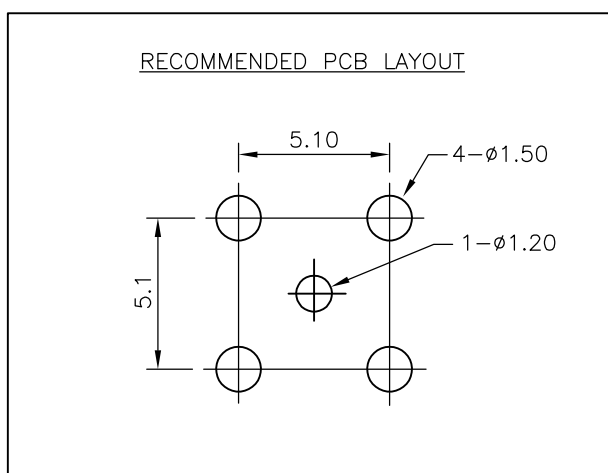
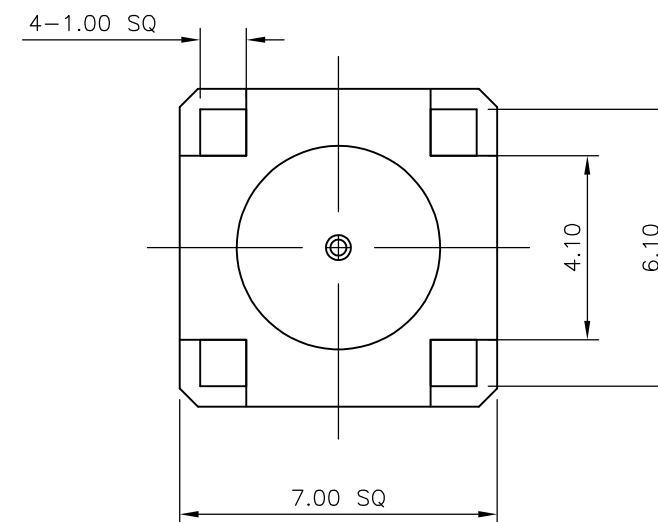
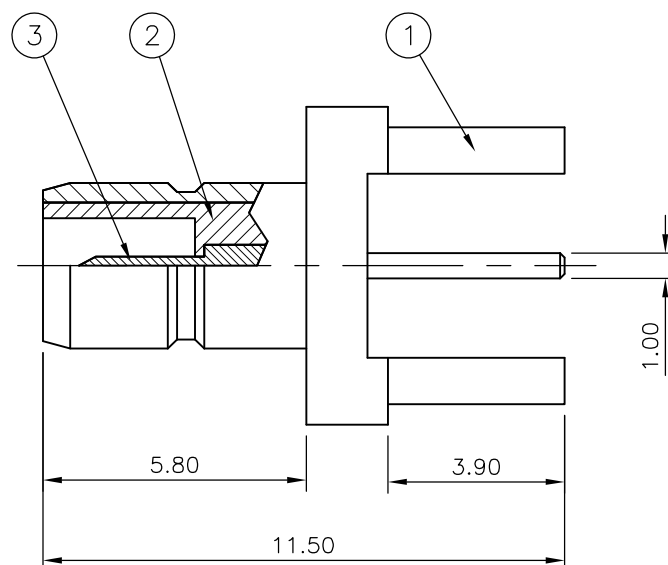
DURABILITY: 500 Cycles Min

6 ENVIRONMENTAL CHARACTERISTICS

OPERATING TEMPERATURE: -65 to +165 DegC

7 FOR TECHNICAL DATA REFER TO YOUR LOCAL TE CONNECTIVITY SALES OFFICE

8 ALL DIMENSIONS ARE NOMINAL FOR REFERENCE ONLY UNLESS OTHERWISE STATED



QTY	PLC	DESCRIPTION	ITEM
1	1	BRASS CONTACT	3
1	1	PTFE INSULATION	2
1	1	BRASS BODY	1
6--0	1--0	MATERIAL	DESCRIPTION
			ITEM

THIS DRAWING IS A CONTROLLED DOCUMENT.		DWN J.SANDWELL 07SEPT05	TE Connectivity SMB STRAIGHT PCB SOCKET 50 OHM	
DIMENSIONS: mm		CHK S.PARLOW 07SEPT05		
TOLERANCES UNLESS OTHERWISE SPECIFIED:		APVD F.WHEELER-KING 07SEPT05		
0 PLC ± - 1 PLC ± - 2 PLC ± - 3 PLC ± - 4 PLC ± - ANGLES ± -		PRODUCT SPEC -		
MATERIAL SEE TABLE		FINISH -	APPLICATION SPEC -	RESTRICTED TO -
		WEIGHT -	SIZE A3	CAGE CODE 00779
		CUSTOMER DRAWING	DRAWING NO C-1337482	SCALE NTS
			SHEET 1 OF 1	REV D1

Mouser Electronics

Authorized Distributor

Click to View Pricing, Inventory, Delivery & Lifecycle Information:

[TE Connectivity:](#)

[6-1337482-0](#)