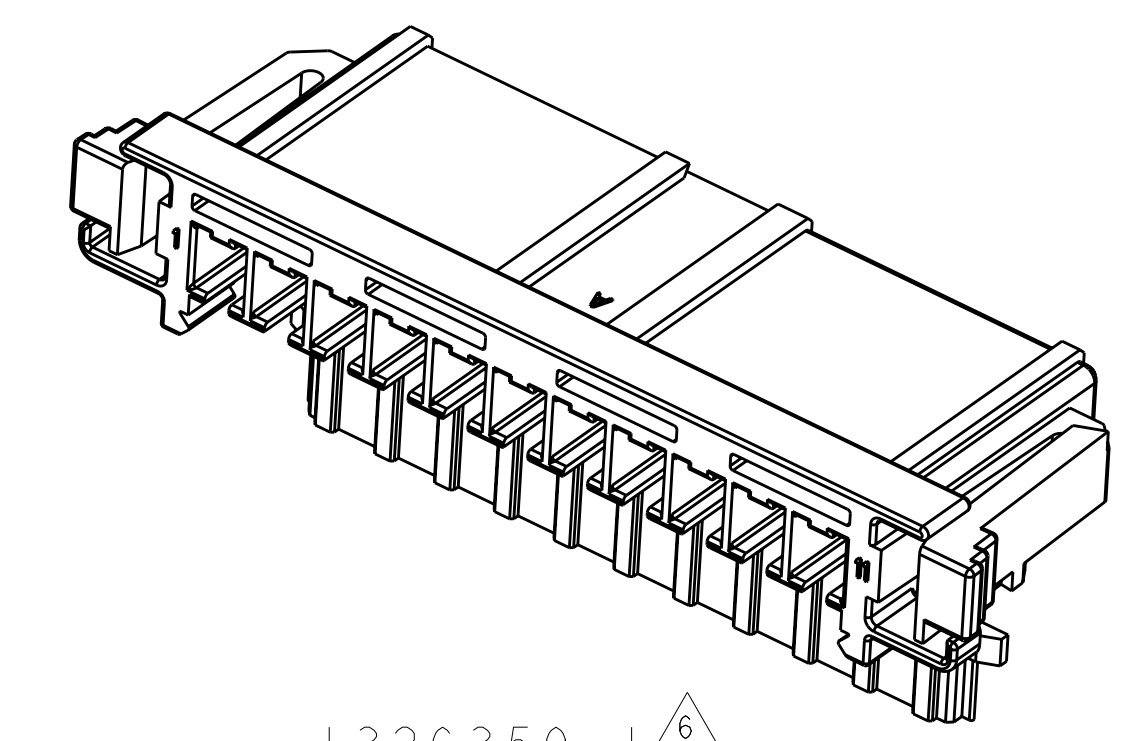
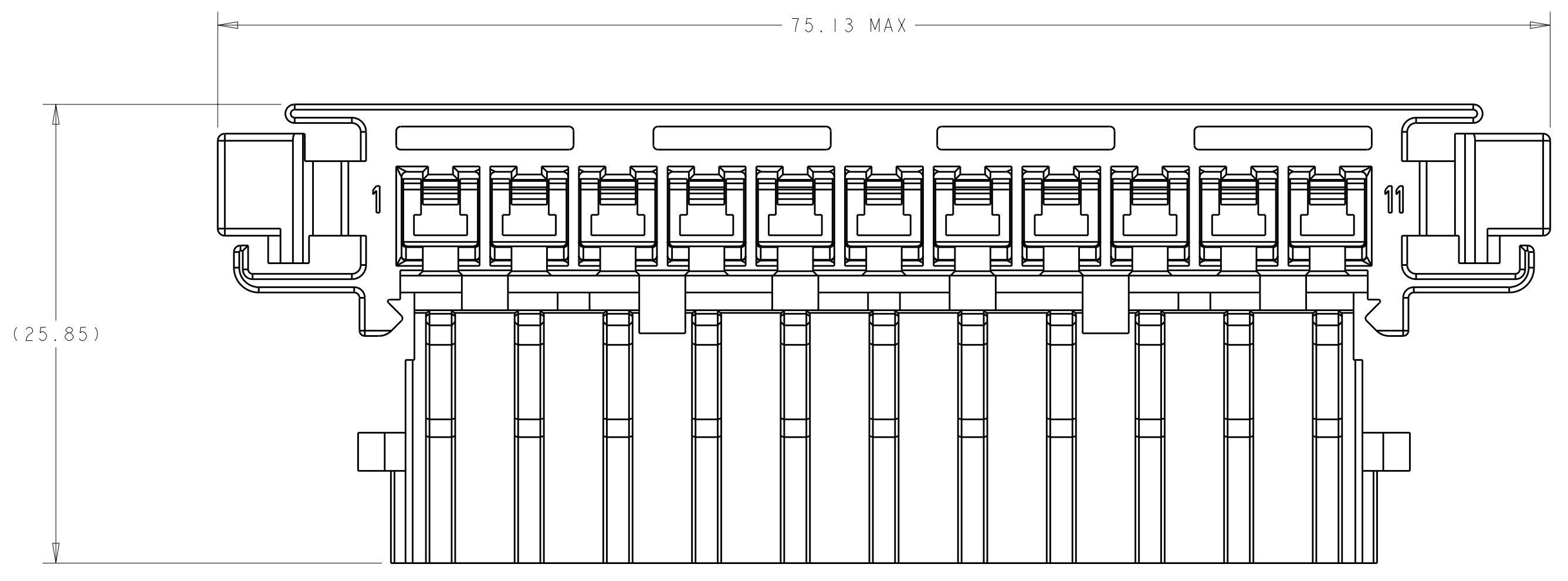
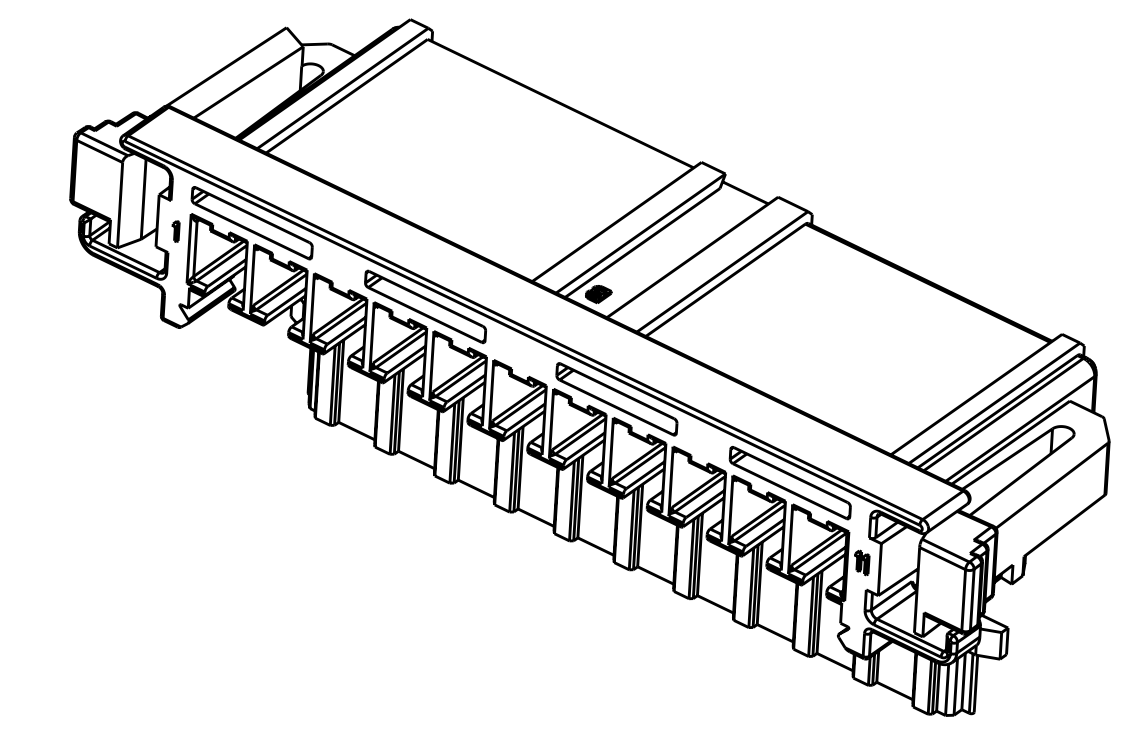
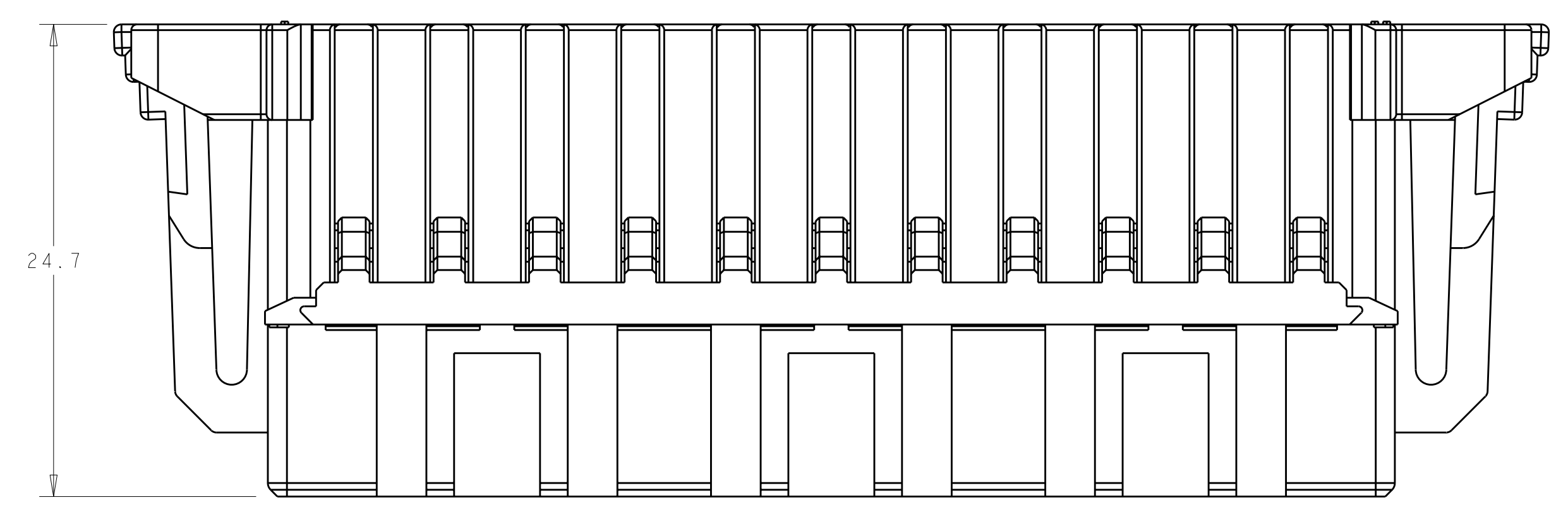


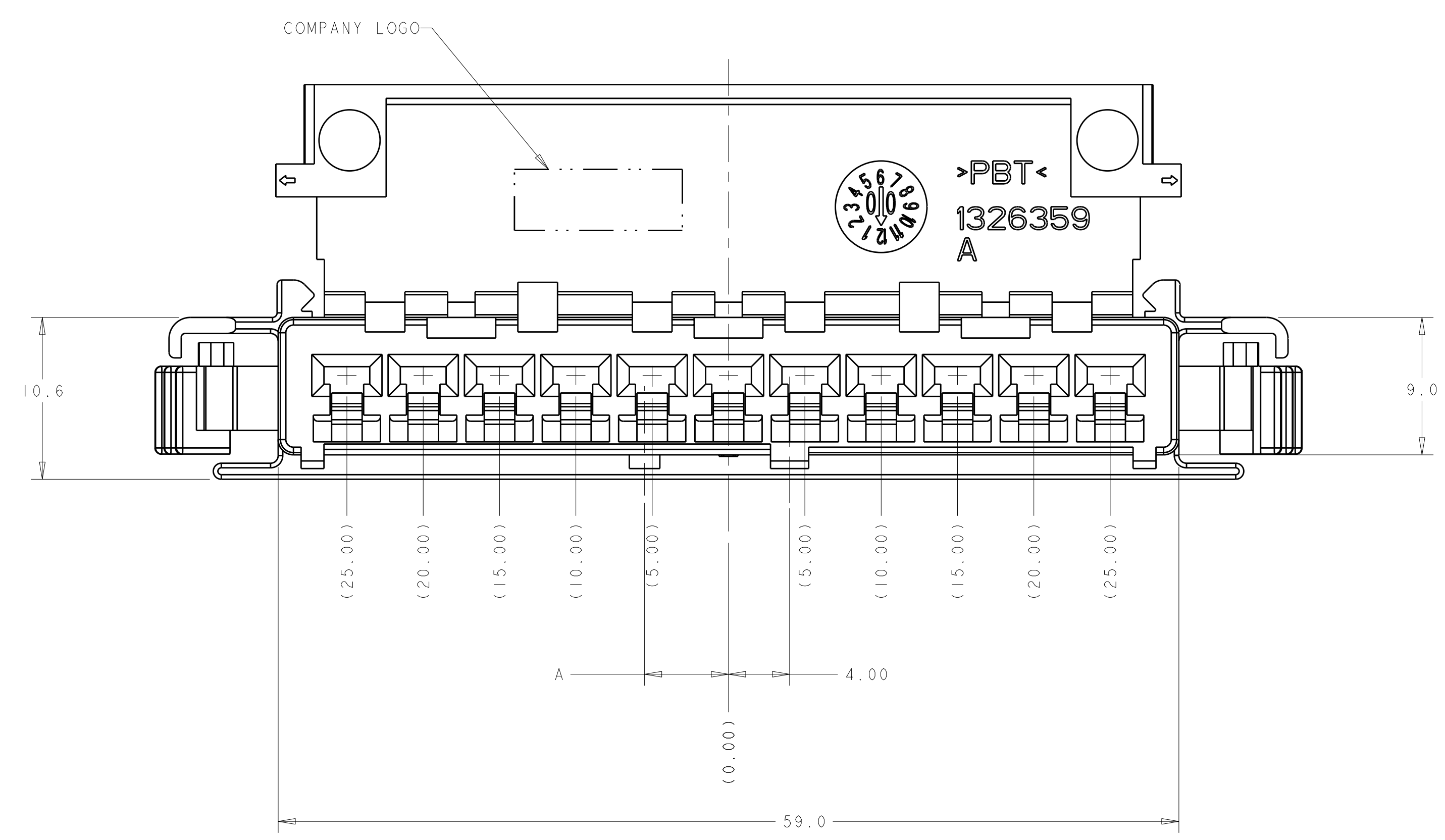
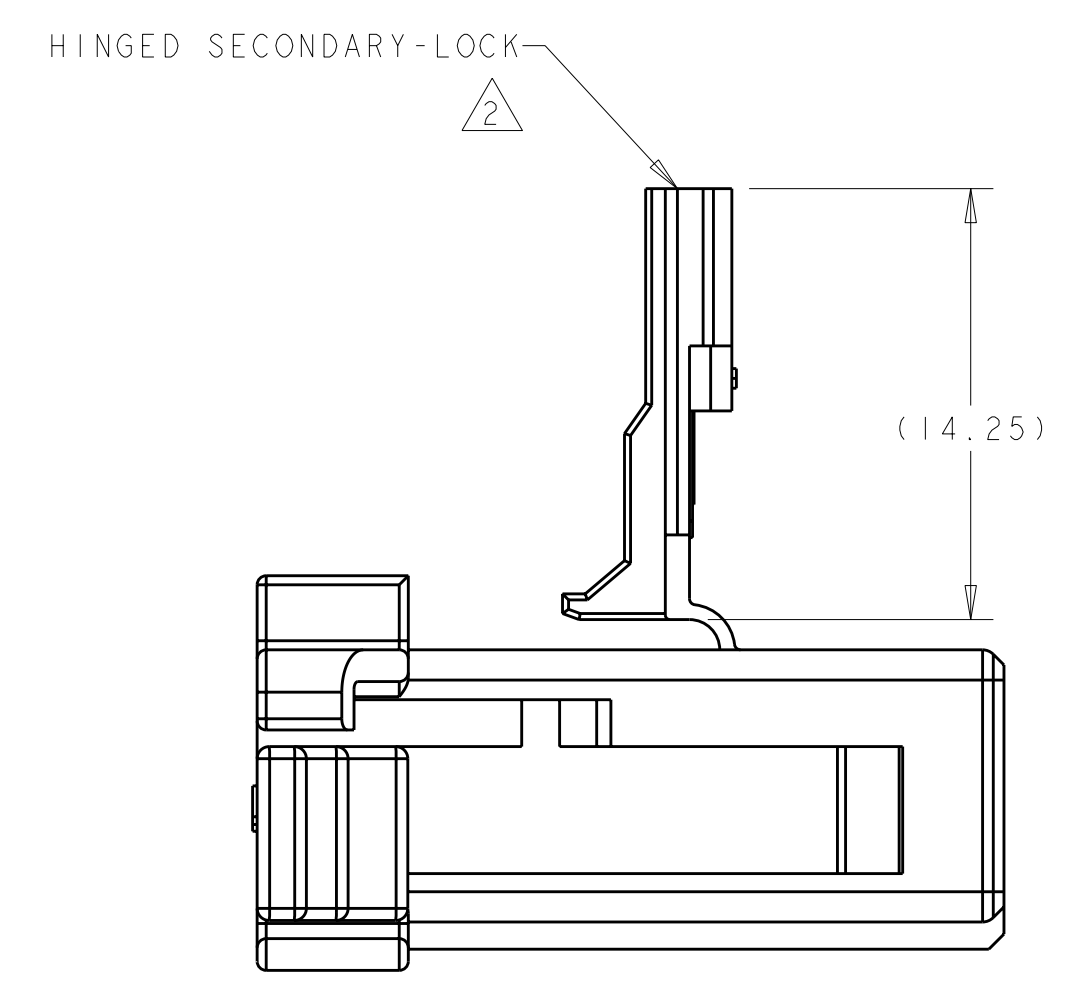
LOC	DIST	REVISIONS			
P	LTB	DESCRIPTION	DATE	DWN	APVD
A		RELEASE PER EC 0K40-0124-03	03FEB2003	MDB	MDB
B		REVISED PER EC 0K40-0042-05	08MAR2005	DLD	DHC
C		REVISED PER ECR-07-006654	28MAR2007	AH	DC
C1		REV PER ECR-10-014131	19JUL2010	VSS	SM



1326359-1
SCALE 2:1



1326359-2
SCALE 2:1



- △ HOUSING MATERIAL: PBT, 25% MAX REGRIND.
- △ SECONDARY LOCK SHOWN IN UNLOCKED POSITION.
- 3. TERMINALS SOLD SEPARATELY, SEE TYCO RECOMMENDED P/N 1326030 FOR TERMINATION AND REELING OPTIONS.
- 4. THIS HOUSING DOES NOT ALLOW THE INSERTION OF TERMINALS CRIMPED TO 10 AWG WIRE.
- 5. REMOVED
- △ INTERFERENCE KEYING FOR P/N 1326359-1 IS LOCATED ON THE KEYED SIDE OF THE LATCH ADJACENT TO CIRCUIT 11. INTERFERENCE KEYING FOR P/N 1326359-2 IS LOCATED ON THE KEYED SIDE OF THE LATCH ADJACENT TO CIRCUIT 1. ONLY ONE LATCH, IN BOTH CASES, CONTAINS INTERFERENCE KEYING.

GRAY	△	KEY 'B'	2.50	1326359-2
BLACK	△	KEY 'A'	5.50	1326359-1
COLOR	INTERFERENCE KEYING	KEYING CONFIGURATION	DIM A	PART NUMBER

<small>THIS DRAWING IS UNPUBLISHED. RELEASED FOR PUBLICATION BY TYCO ELECTRONICS CORPORATION. ALL RIGHTS RESERVED. THIS IS SUBJECT TO CHANGE WITHOUT NOTICE AND WITHOUT OBLIGATION. SHOULD BE CONTACTED FOR THE LATEST REVISED.</small>		DWN: 24JAN2002 CHK: D. BROWN APVD: D. BROWN	Tyco Electronics Harrisburg, PA 17105-3608
DIMENSIONS: mm TOLERANCES UNLESS OTHERWISE SPECIFIED: 9 PLC ± 1 PLC ±0.3 2 PLC ±0.15 3 PLC ± 4 PLC ± ANGLES ± FINISH ±	NAME: 2.8MM PLUG HOUSING 11 POSITION, UNSEALED LIVING HINGE DESIGN PRODUCT SPEC: SAE/USCAR-2, REV 3 APPLICATION SPEC:	SIZE: A CAGE CODE: 00779 DRAWING NO: C=1326359	RESTRICTED TO:
MATERIAL: △		WEIGHT: -	CUSTOMER DRAWING
		SCALE: 4:1	SHEET 1 OF 1 REV C1

Mouser Electronics

Authorized Distributor

Click to View Pricing, Inventory, Delivery & Lifecycle Information:

[TE Connectivity:](#)

[1326359-2](#)