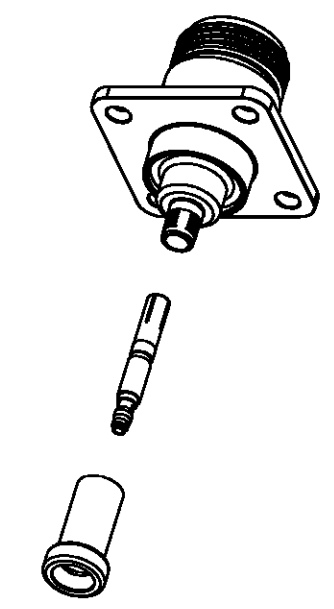
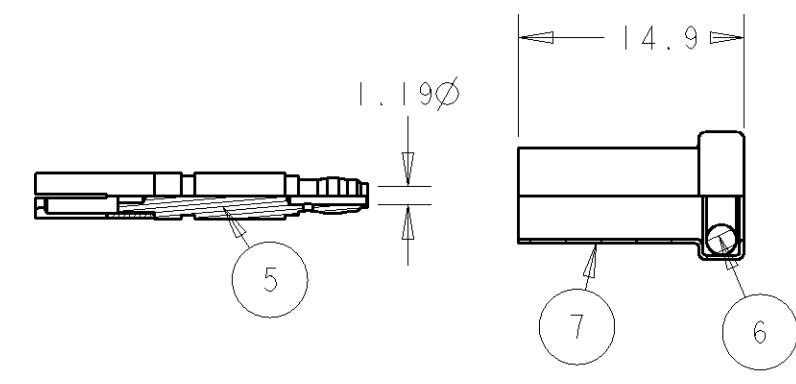
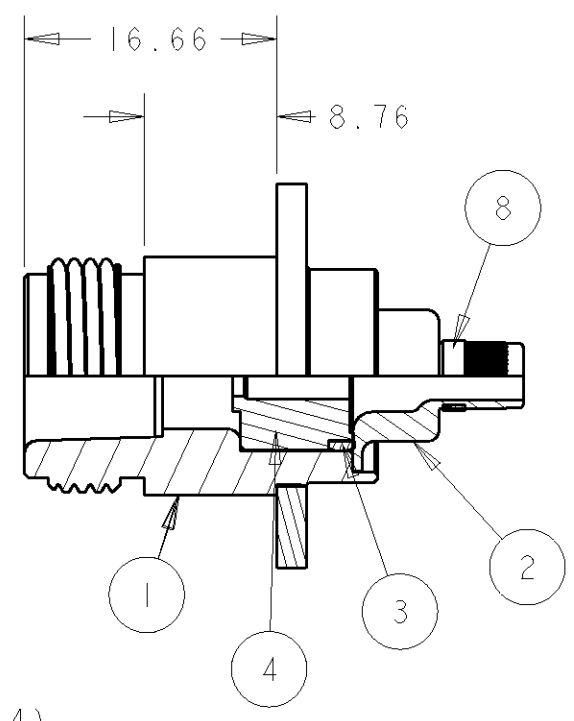
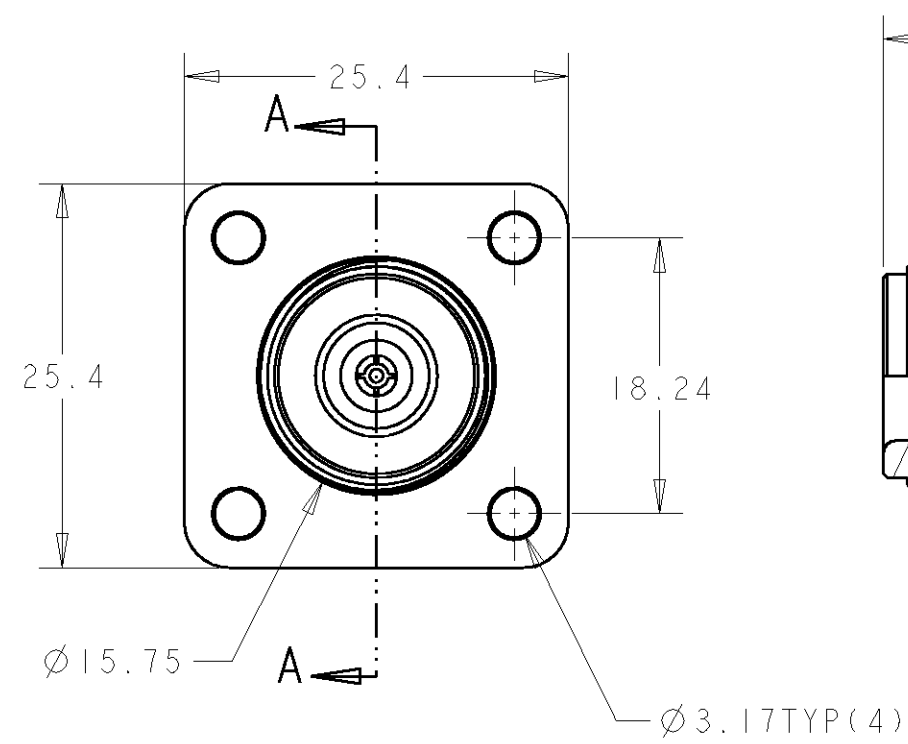


THIS DRAWING IS UNPUBLISHED. RELEASED FOR PUBLICATION 20
 © COPYRIGHT 20 BY TYCO ELECTRONICS CORPORATION. ALL RIGHTS RESERVED.

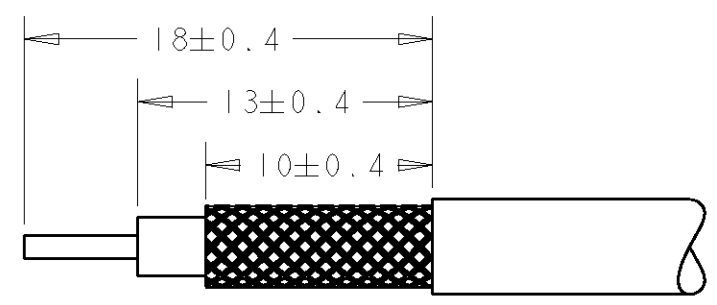
LOC	DIST	REVISIONS			
P	LTR	DESCRIPTION	DATE	DWN	APVD
	C	ECR-06-023739	20/08/06	MJG	JA
	D	ECR-09-008730	16/04/09	MJG	JA



NOTES:

- FOR USE WITH RG-400U KX23 CABLE
UTILISER AVEC CABLE RG-400U KX23
- CRIMP WITH HAND TOOL P+ No 220045-2
PINCE A SERTIR REF: 220045-2
- INSTRUCTION SHEET 408-2028-4
INSTRUCTION DE SERTISSAGE: 408-2028-4

FINISH	MATERIAL	DESCRIPTION	ITEM
	SILICONE	GASKET	8
Ag	COPPER	SHELL	7
	SILICONE	GASKET	6
Au	BeCu	CONTACT	5
	PTFE	DIELECTRIC	4
Ag	BRASS	SPACER	3
Ag	BRASS	FERRULE	2
Ag	BRASS	BODY	1



RECOMMENDED CABLE PREPARATION
DENUDAGE RECOMMANDE

THIS DRAWING IS A CONTROLLED DOCUMENT FOR TYCO ELECTRONICS CORPORATION IT IS SUBJECT TO CHANGE AND THE CONTROLLING ENGINEERING ORGANIZATION SHOULD BE CONTACTED FOR THE LATEST REVISION.

DIMENSIONS: mm	TOLERANCES UNLESS OTHERWISE SPECIFIED: 0 PLC ±0.3 1 PLC ±0.3 2 PLC ±0.3 3 PLC ±0.3 4 PLC ±0.3 ANGLES ±1	DWN M.GREENER 20SEP2006 CHK J.AMBROSE 20SEP2006 APVD J.AMBROSE 20SEP2006	Tyco Electronics UK Ltd. Bideford, North Devon, EX39 4HE	
MATERIAL	FINISH -	PRODUCT SPEC -	NAME COAXICON RF CONN N SERIES WEATHERPROOF PANEL JACK	
		APPLICATION SPEC -	SIZE A3	CAGE CODE 00779
		WEIGHT -	DRAWING NO C-132546	RESTRICTED TO -
CUSTOMER DRAWING			SCALE 3:1	SHEET 1 OF 1 REV C

Mouser Electronics

Authorized Distributor

Click to View Pricing, Inventory, Delivery & Lifecycle Information:

[TE Connectivity:](#)

[132546-1](#)