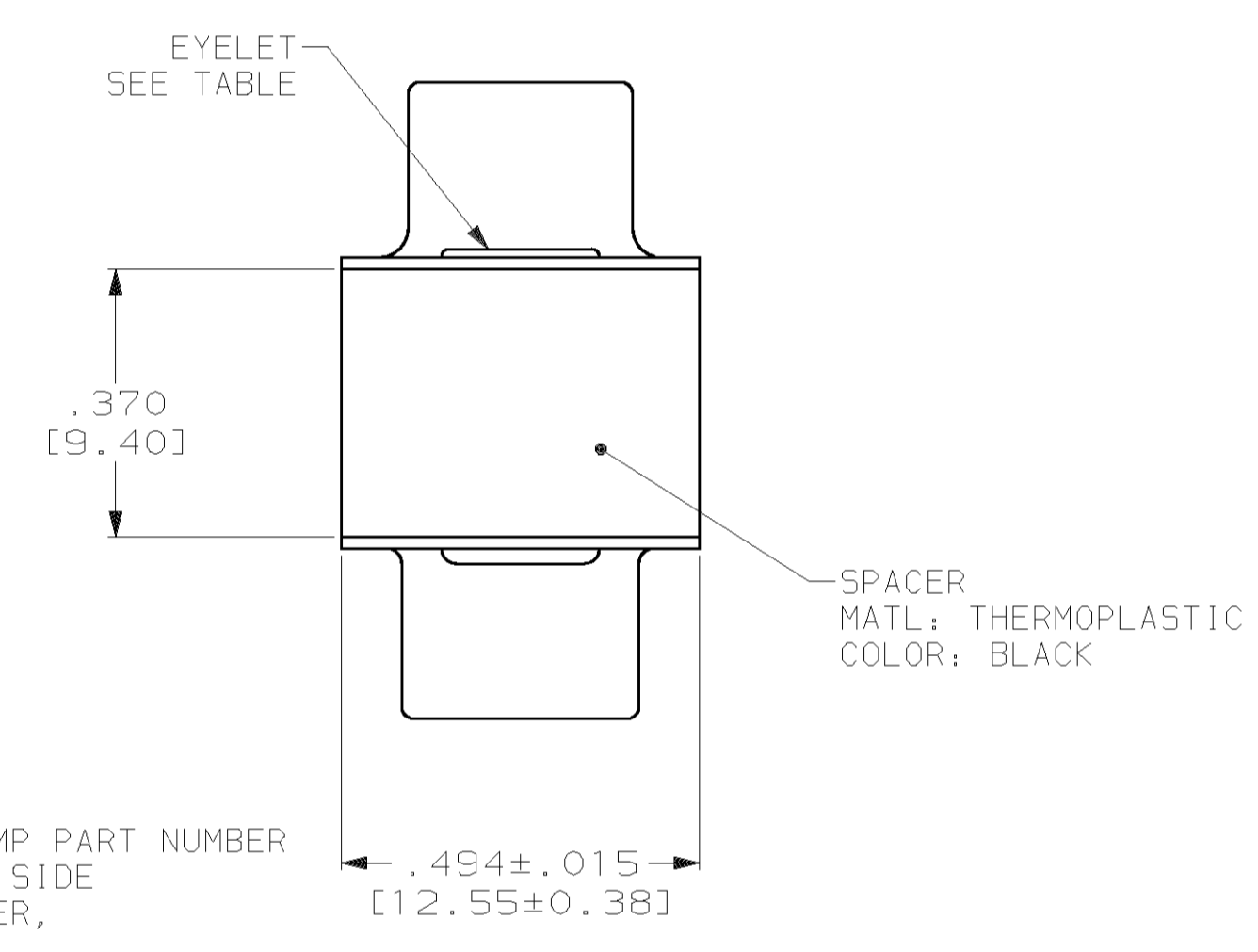
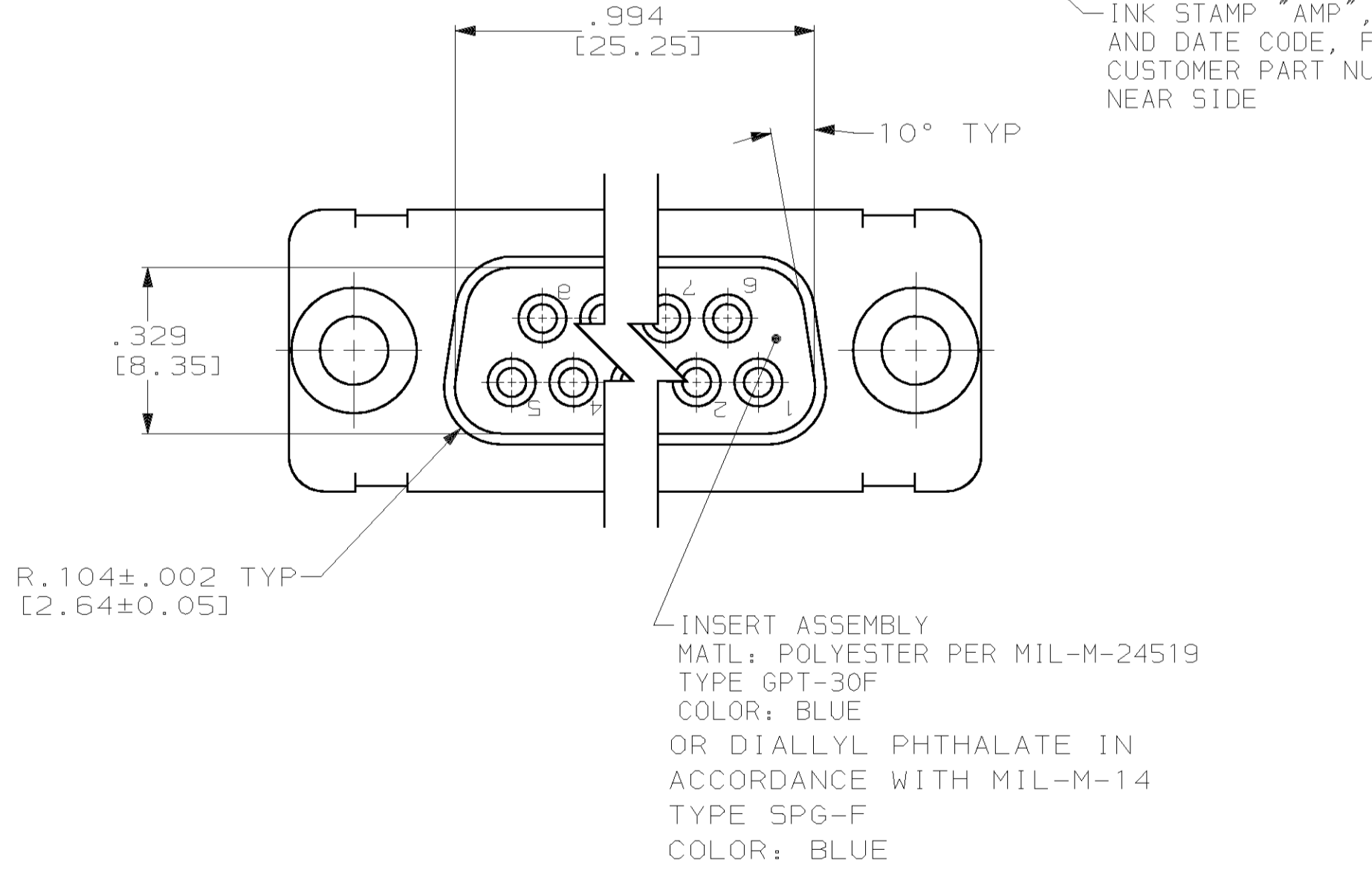
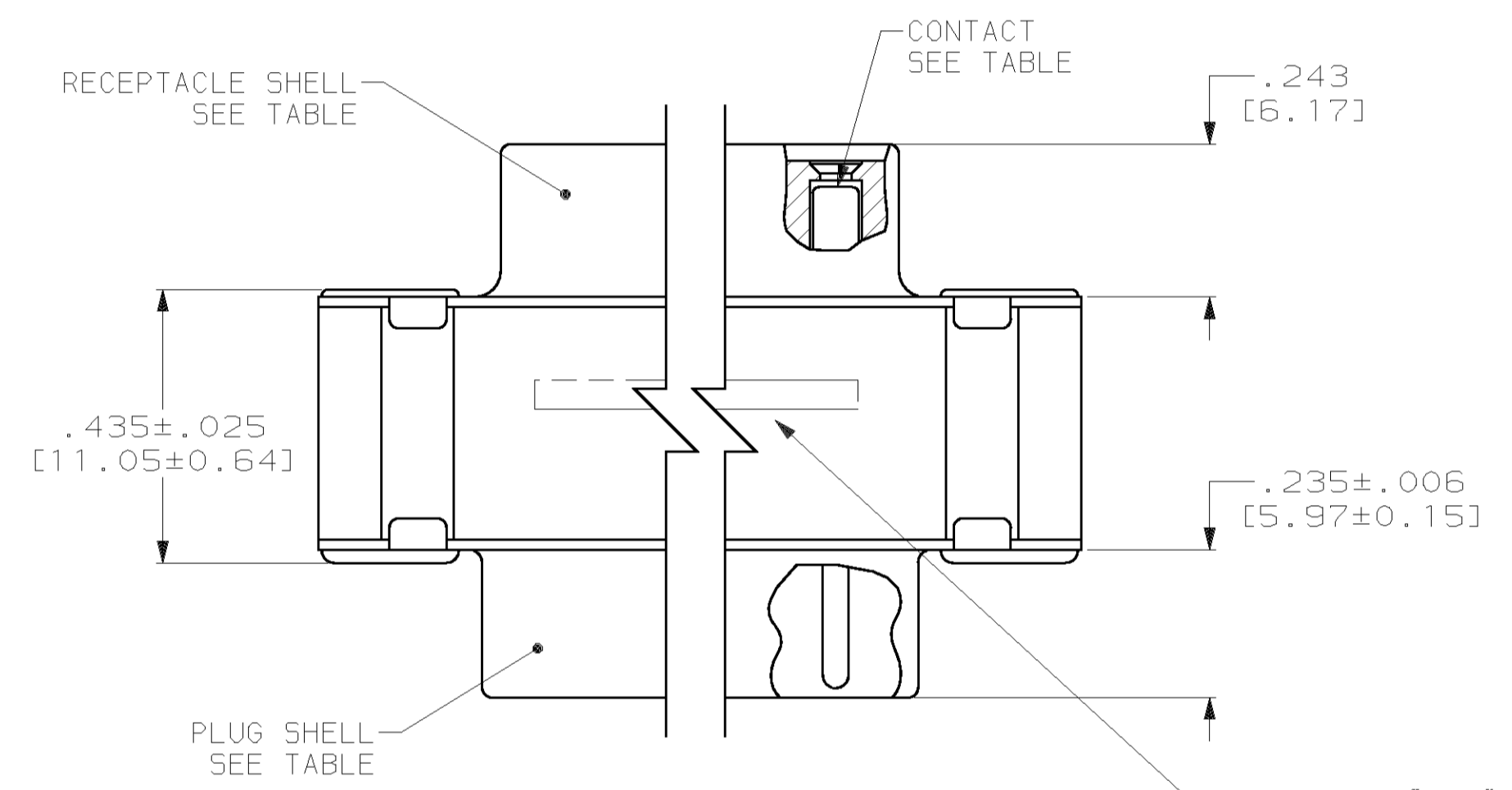
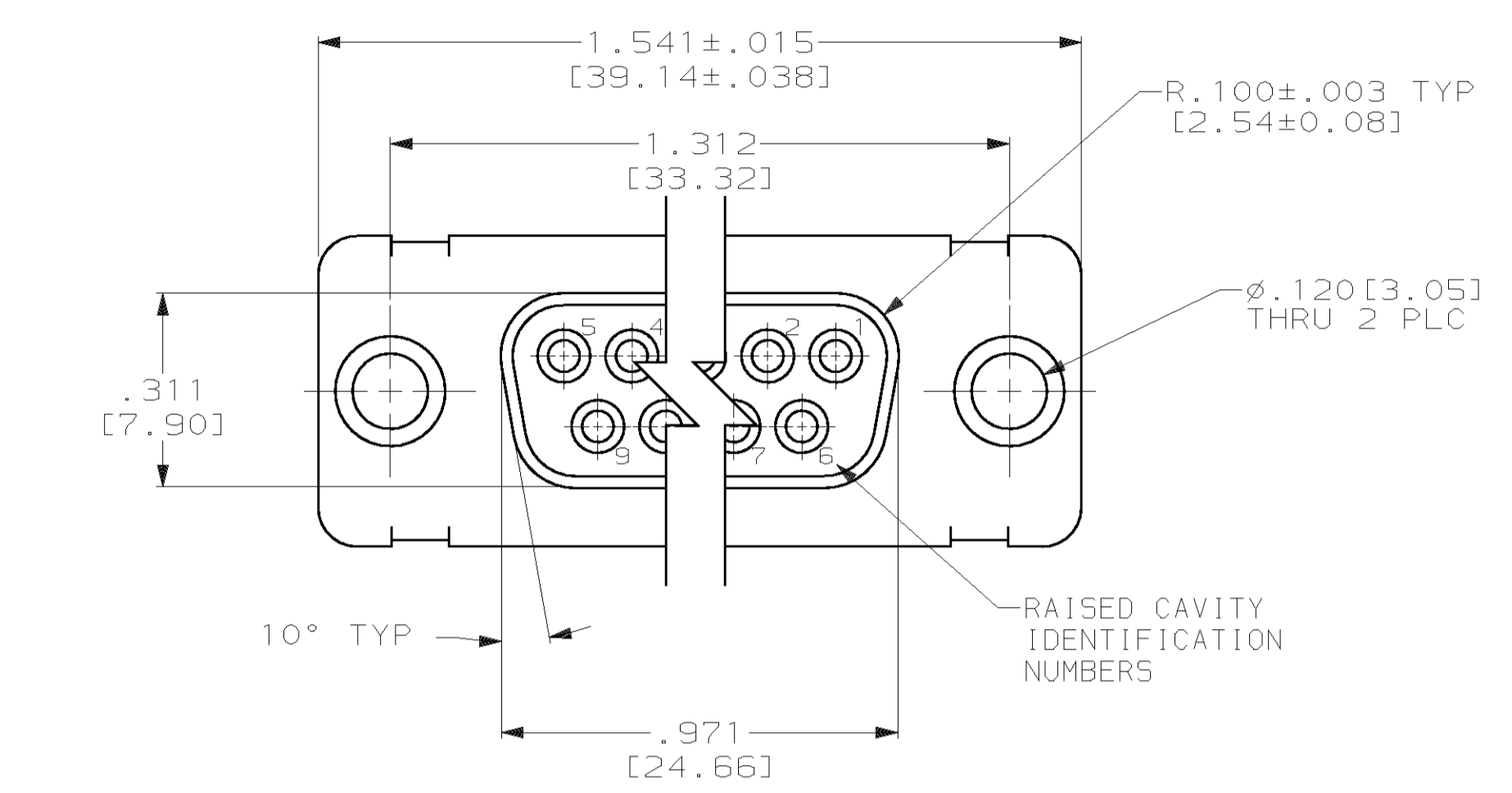
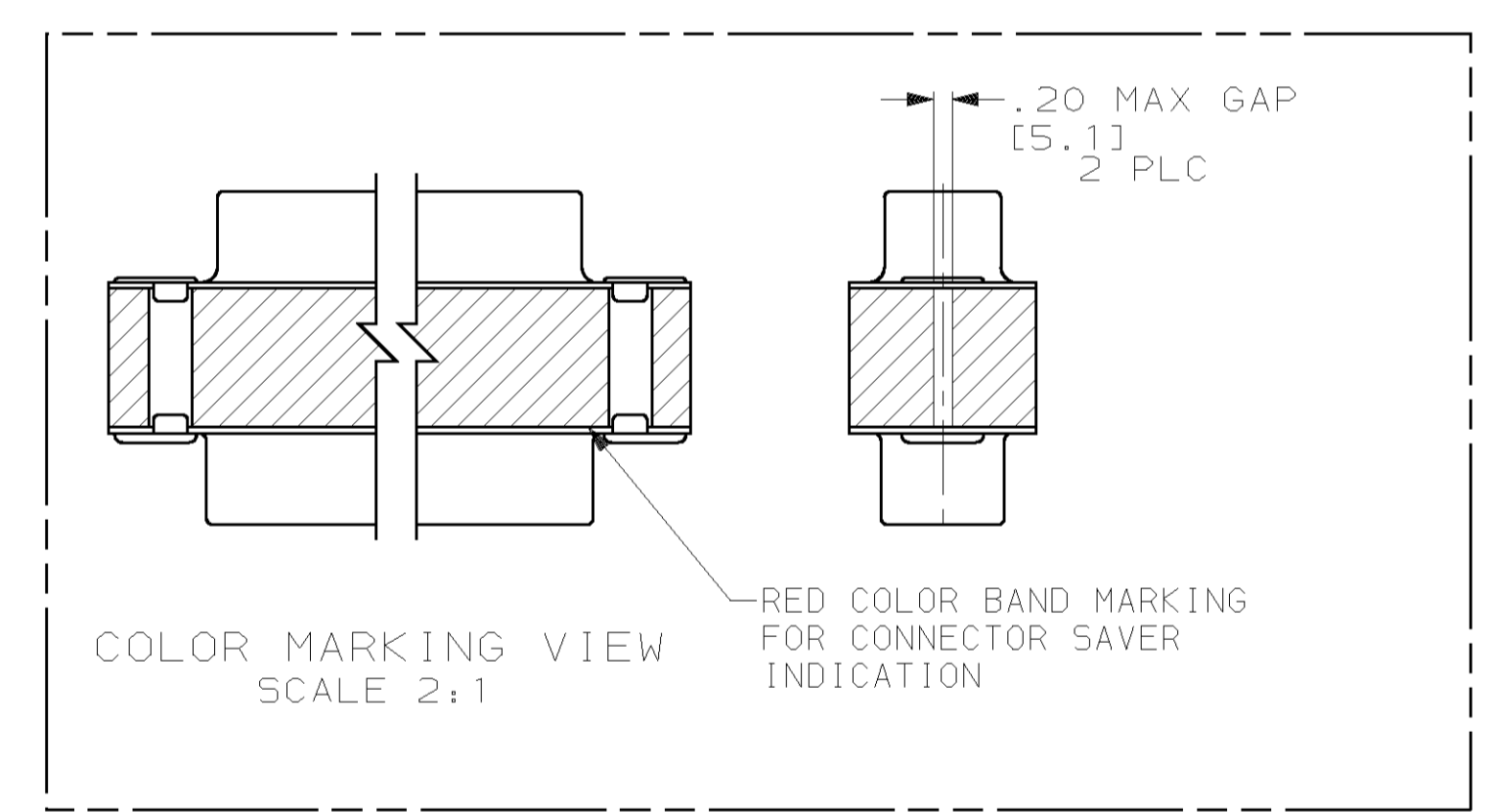


| LOC | | DIST | | REVISIONS | | | |
|-----|----|------|---------|--------------|------|-----|------|
| DF | DO | TR | LYR | DESCRIPTION | DATE | OWN | APPR |
| | | C | REV PER | 0630-320-01 | 5-02 | CT | DM |
| | | D | REV PER | 0630-0619-02 | 7-03 | JMK | LO |



- CONTACTS INCLUDED IN ASSEMBLY.
- CONTACT
 BODY MATL: BERYLLIUM COPPER PER ASTM-B-197.
 BODY FINISH: PLATED GOLD, .000050 MIN THK PER MIL-G-45204 OVER NICKEL, .000050 MIN THK PER QQ-N-290.
 HOOD MATL: STAINLESS STEEL PER ASTM-A-167.
 HOOD FINISH: PASSIVATED PER ASTM-A-380
- MATL: BRASS PER ASTM-B-36.
- FINISH: PLATED GOLD, .000050 MIN THK PER MIL-G-45204 OVER COPPER, .000100 MIN THK PER MIL-C-14550.



| | | | | |
|--|--------|--|---------------------------|--|
| 3/4 | 3/4 | 2 | 4U884 50CN R10002677-0002 | 1218304-2 |
| 3/4 | 3/4 | 2 | (1J02-002) | 1218304-1 |
| EYELET | SHELLS | CONTACT | CUSTOMER P/N | PART NO. |
| THIS DRAWING IS A CONTROLLED DOCUMENT. | | I. THOMPSON 19AU098 | | AMP Incorporated Harrisburg, PA 17105-3608 |
| DIMENSIONS: IN (mm) | | TOLERANCES UNLESS OTHERWISE SPECIFIED: | | NAME: J. NORTON 19AU098 |
| 0 PLC ±.005 | | 1 PLC ±.005 | | PRODUCT SPEC: - |
| 2 PLC ±.005 | | 3 PLC ±.005 | | APPLICATION SPEC: - |
| 4 PLC ±.005 | | ANGLES: - | | SIZE: A1 |
| MATERIAL: - | | FINISH: - | | WEIGHT: - |
| CUSTOMER DRAWING | | SCALE: 4:1 | | SHEET 1 OF 1 REV D |

Mouser Electronics

Authorized Distributor

Click to View Pricing, Inventory, Delivery & Lifecycle Information:

[TE Connectivity:](#)

[1218304-1](#)