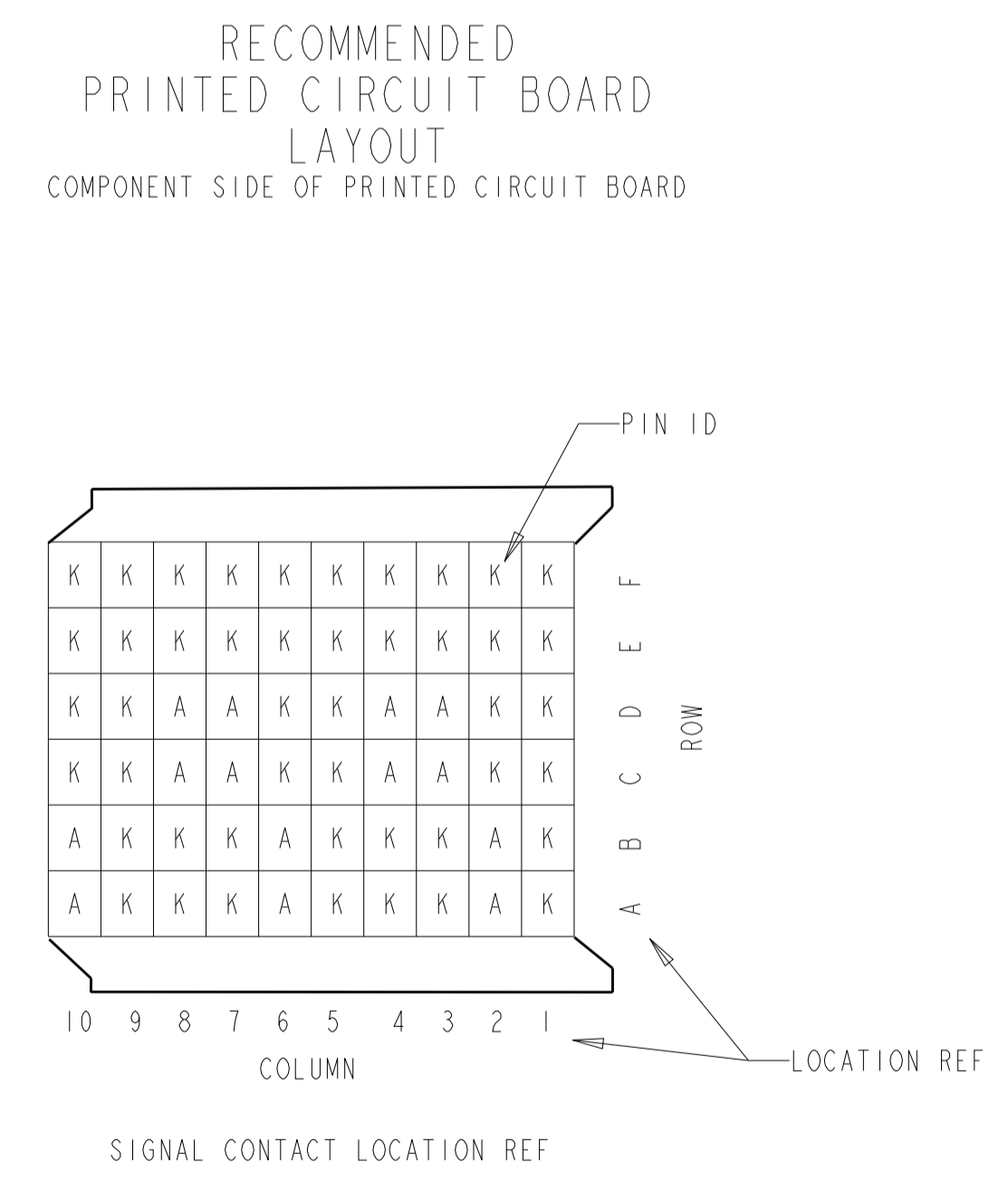
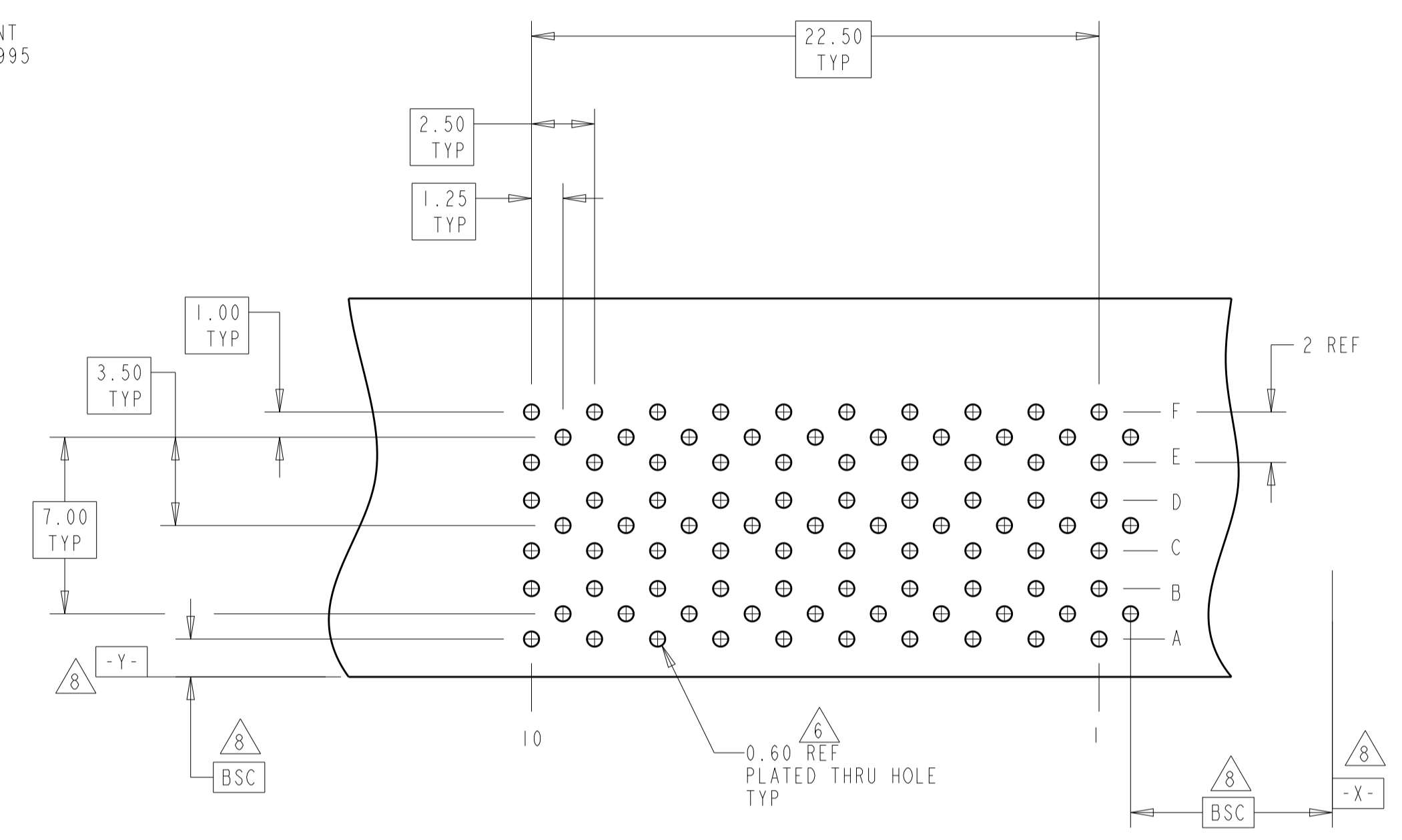
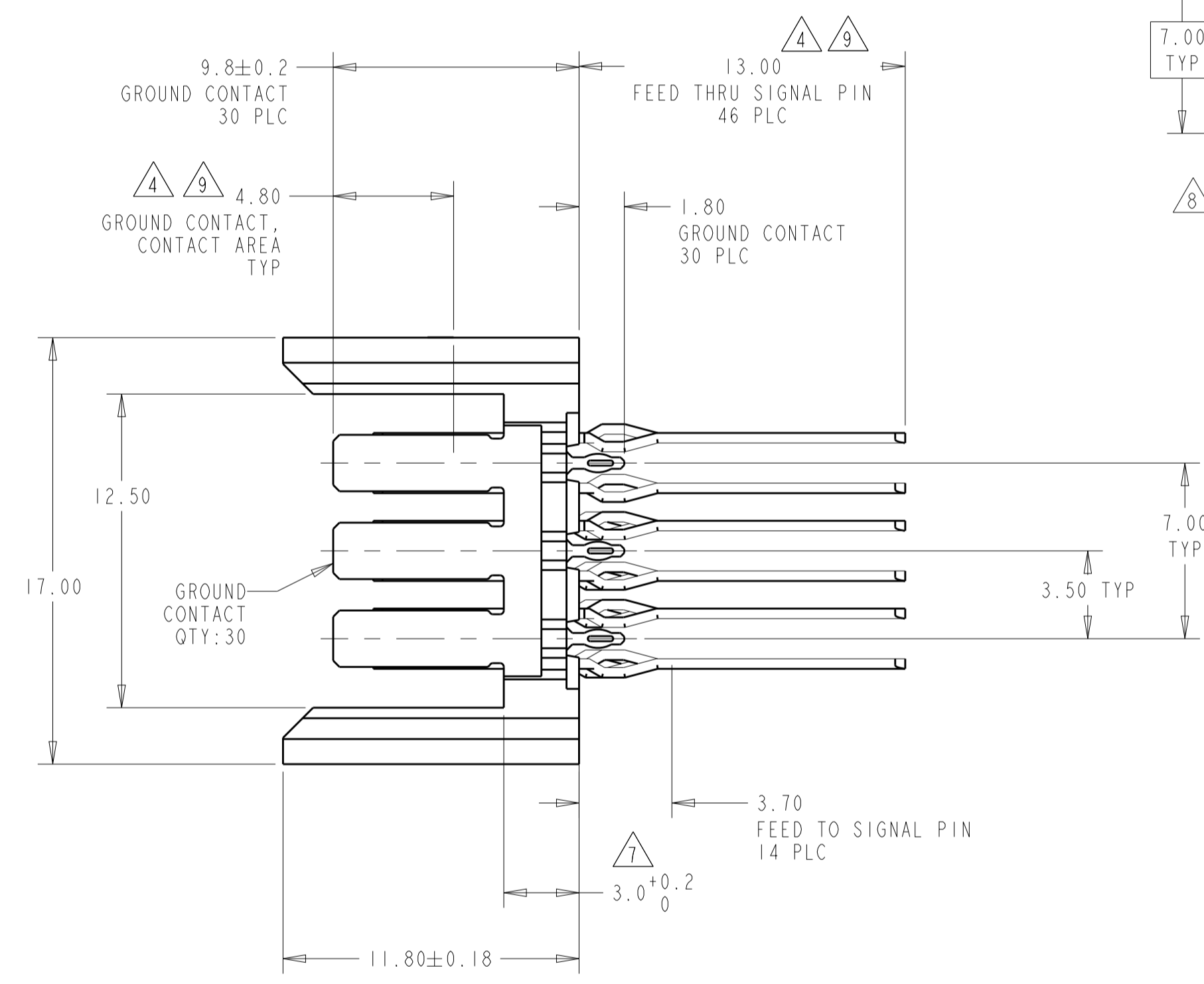
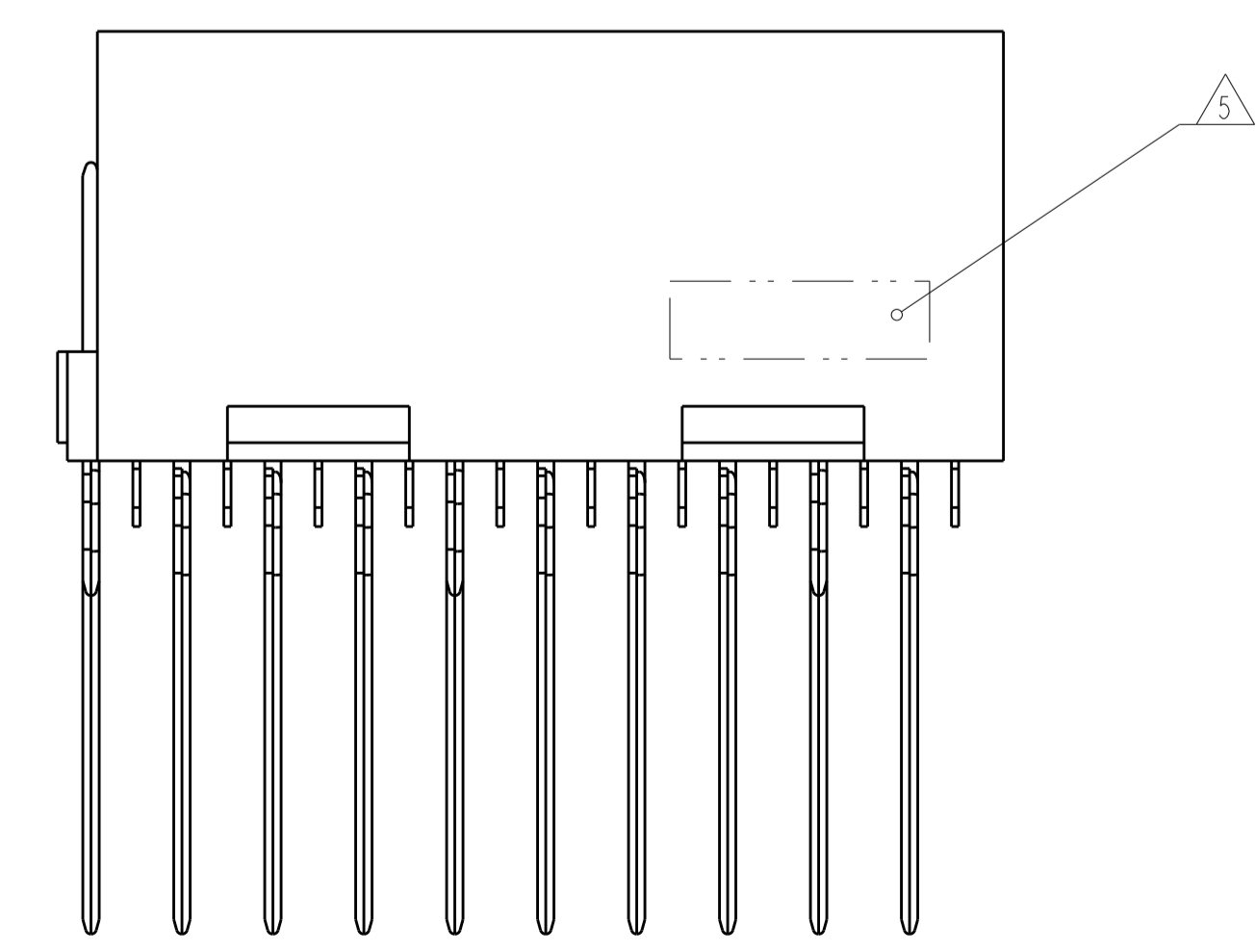
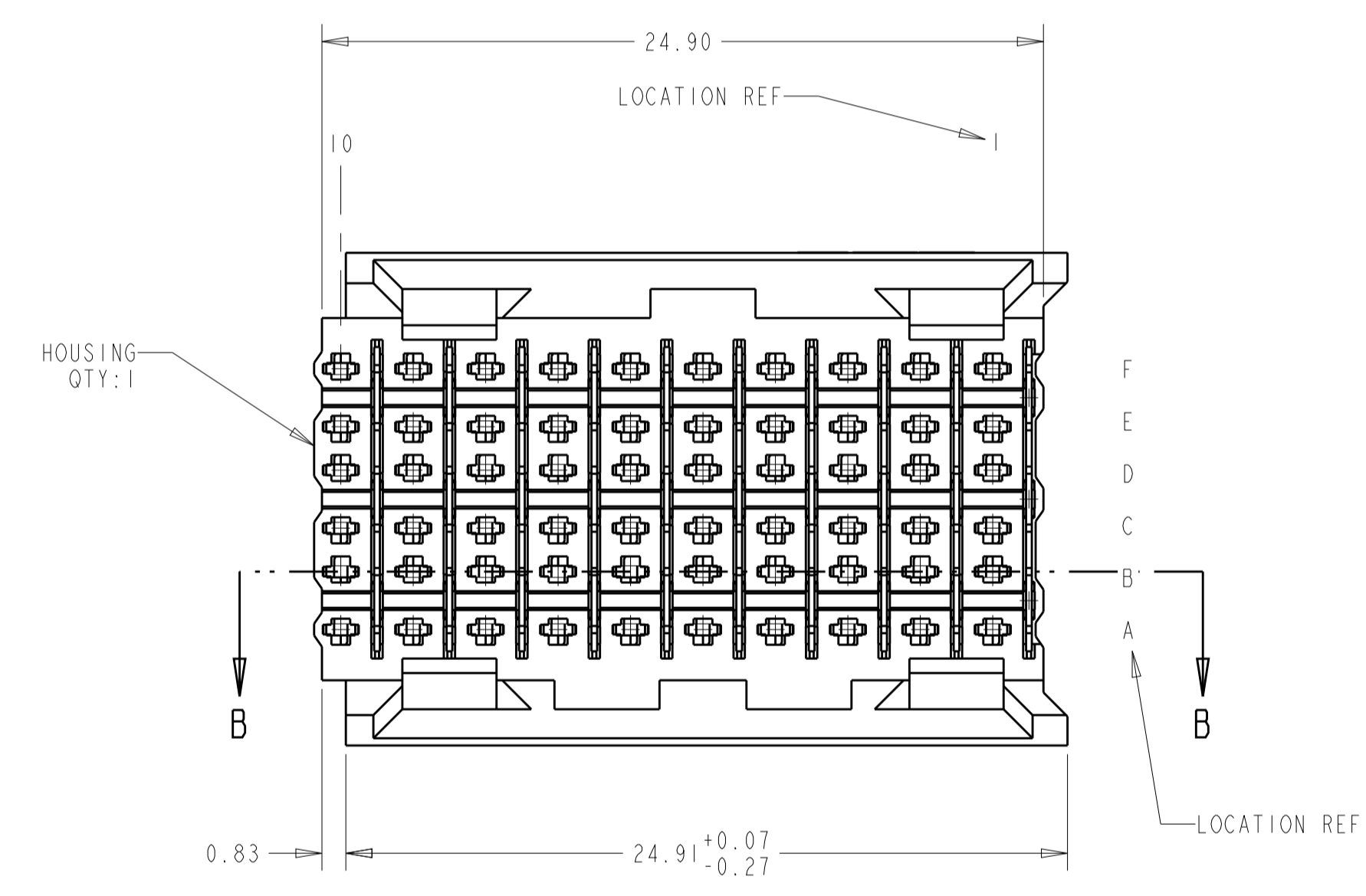
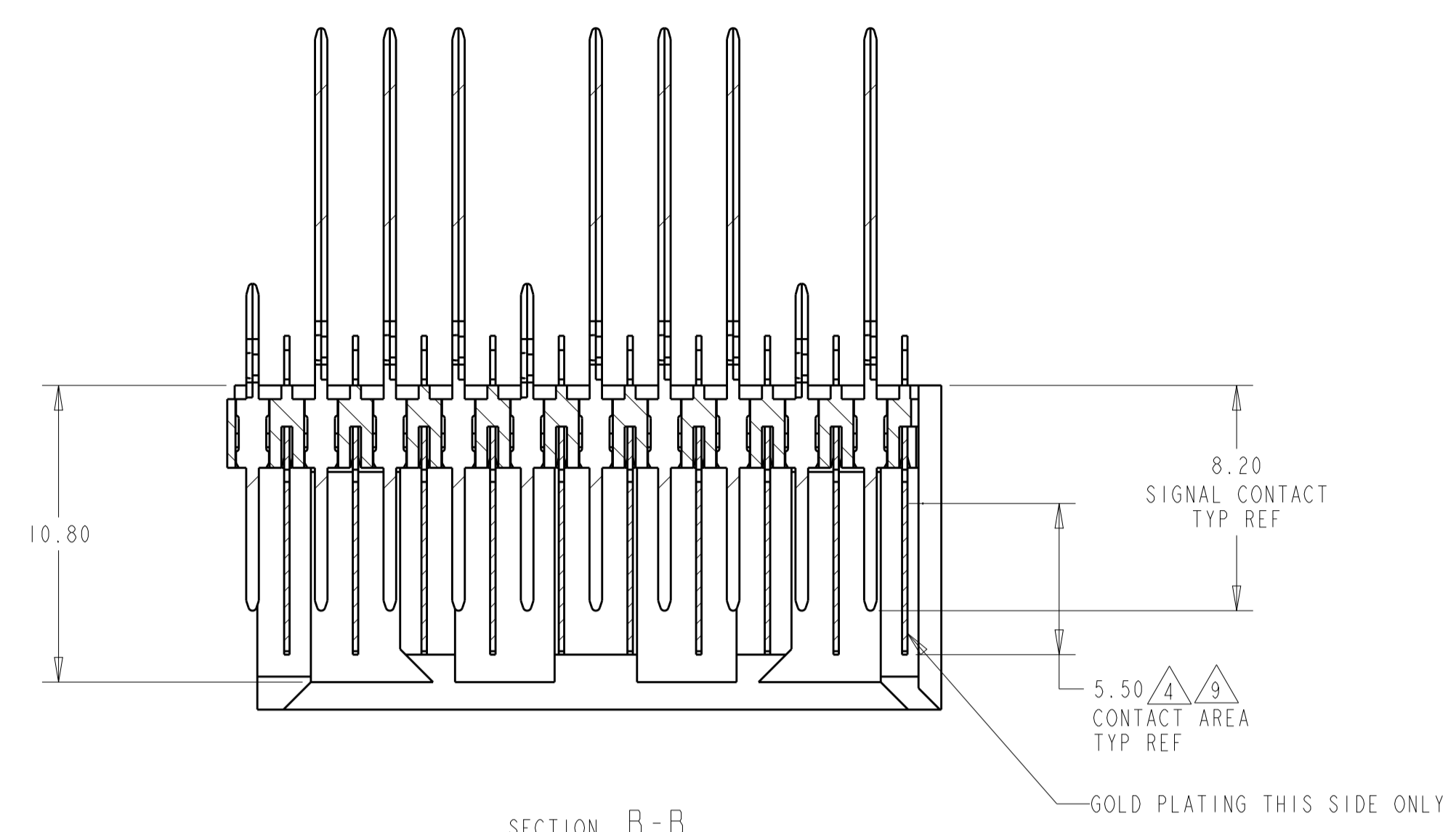


LOC	DIST	REV	DESCRIPTION	DATE	DWN	APVD
AD	00	C	REVISED PER ECO-12-006972	23AUG2012	KH	JE

- 2 PHOSPHOR BRONZE
- 3 LCP, UL94V-0
- 4 FINISH:  
CONTACT MATING AREA MEETS THE PERFORMANCE REQUIREMENTS OF  
TE CONNECTIVITY PRODUCT SPECIFICATION 108-1957; BASED ON  
TELCORDIA GR-1217-CORE; APPLICATIONS IN UNCONTROLLED ENVIRONMENTS.  
COMPLIANT PIN AREA: 0.5µm MIN BRIGHT TIN-LEAD OVER BASE PLATING.
- 5 CONNECTOR MARKED WITH PART NUMBER AND DATE CODE
- 6 REFERENCE APPLICATION SPEC 114-13020 FOR RECOMMENDED  
PLATED THRU HOLE DIAMETER AND PLATING THICKNESS.
- 7 APPLICATION SEATING HEIGHT TO PRINTED CIRCUIT BOARD
- 8 DATUMS AND BASIC DIMENSIONS ESTABLISHED BY CUSTOMER
- 9 CONTACT AREA LUBRICATED WITH BELLCORE APPROVED LUBRICANT  
TECHNICAL REFERENCE: GR-1217-CORE, ISSUE 1, NOVEMBER 1995



120995-1  
PART NUMBER

THIS DRAWING IS A CONTROLLED DOCUMENT.		DWN: R. TREA 19FEB2007	TE Connectivity
DIMENSIONS: mm		CHK: R. PATTERSON 19FEB2007	
TOLERANCES UNLESS OTHERWISE SPECIFIED: 0 PLC ± 1 PLC ±0.13 2 PLC ±0.05 3 PLC ±0.05 4 PLC ± ANGLES ± FINISH ±		APVD: R. PATTERSON 19FEB2007	NAME: HEADER ASSEMBLY, 60 POSITION, 6 ROW, FEED THROUGH, BACKPLANE CONNECTOR, Z-PACK HS3
MATERIAL: HOUSING: 3		WEIGHT: -	SIZE: A1
CONTACTS: 2		SIGNAL CONTACT: 4	CAGE CODE: 00779
		CUSTOMER DRAWING	DRAWING NO: 120995
			SCALE: 5:1
			SHEET 1 OF 1
			REV C

# Mouser Electronics

Authorized Distributor

Click to View Pricing, Inventory, Delivery & Lifecycle Information:

[TE Connectivity:](#)

[120995-1](#)