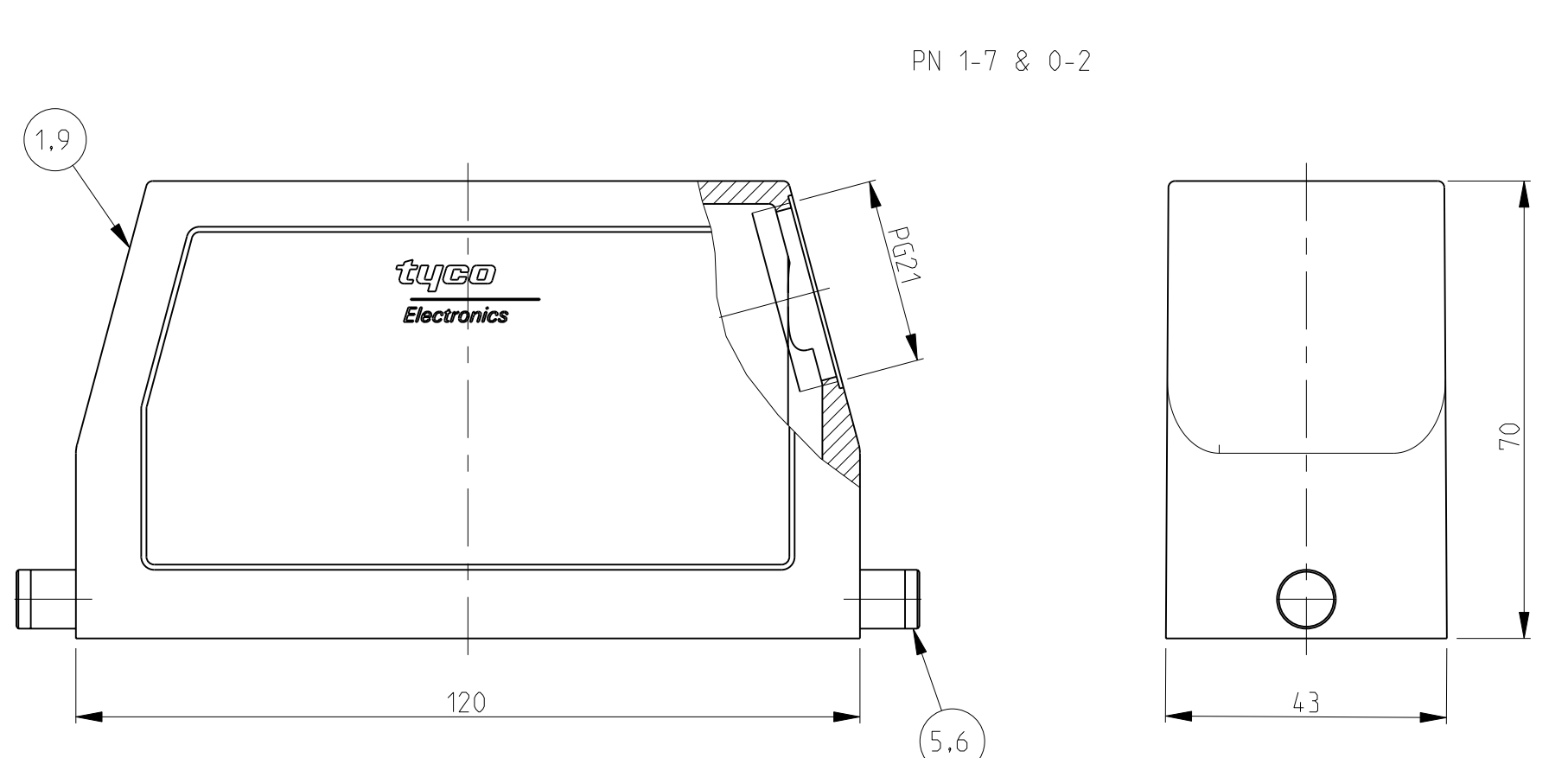
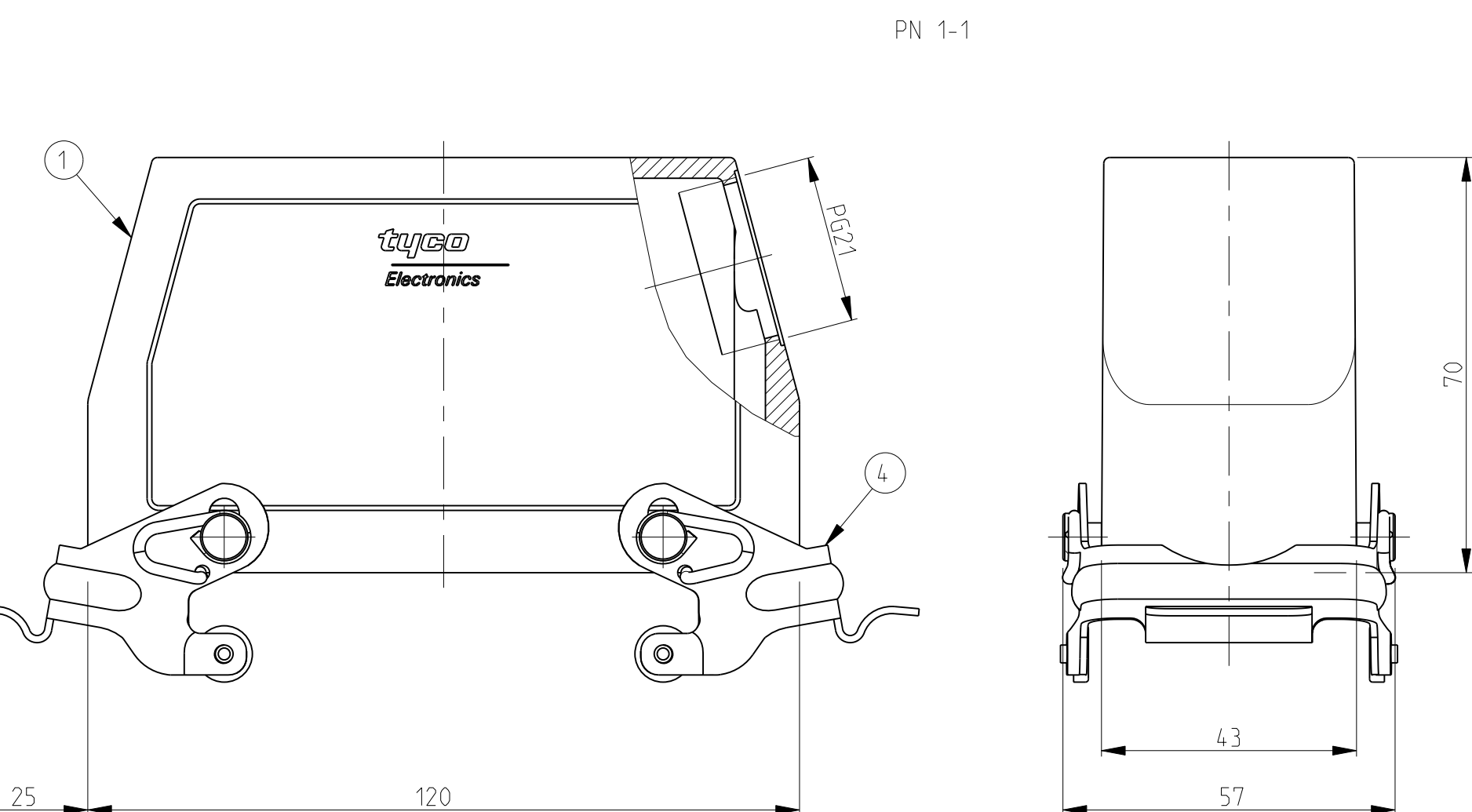
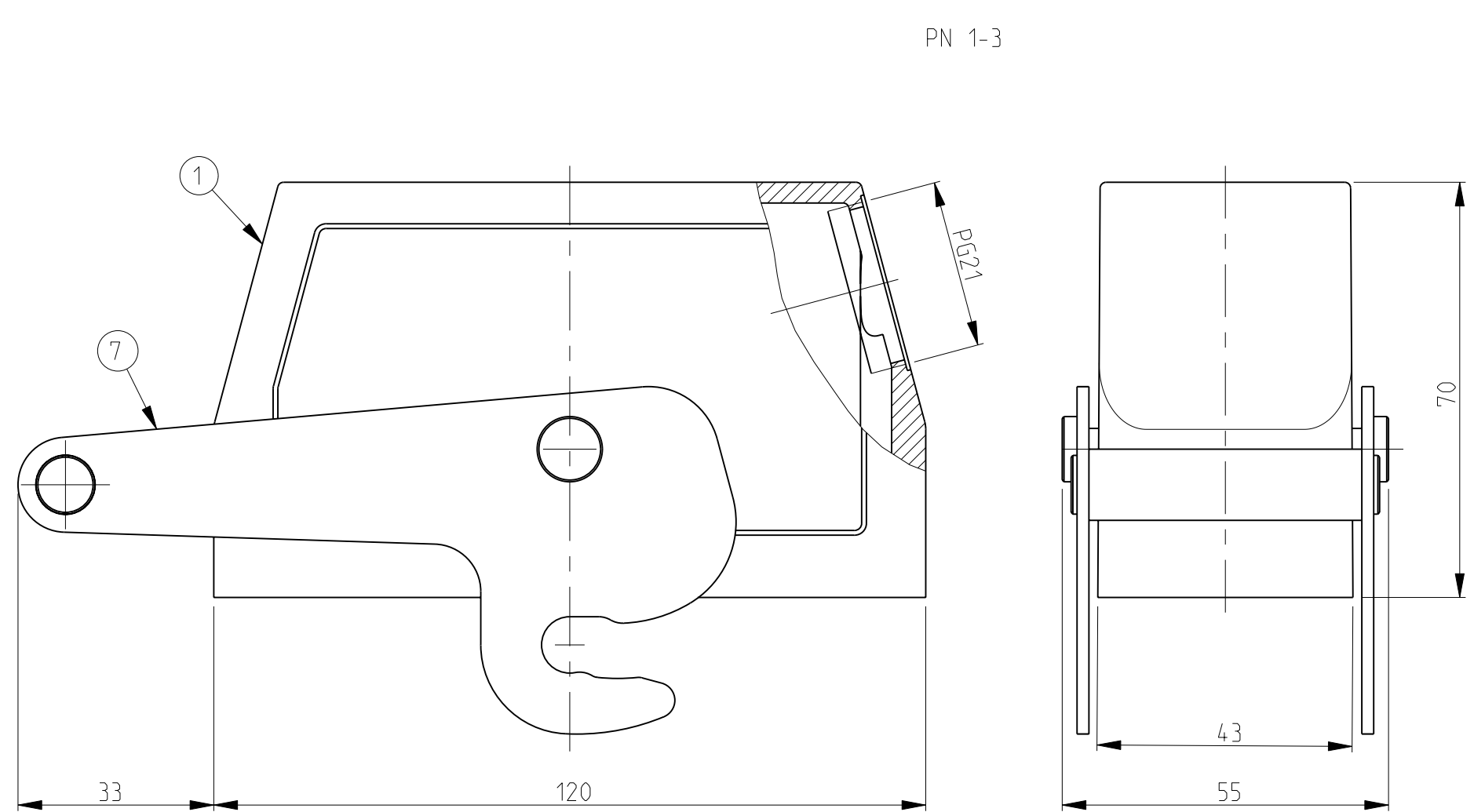
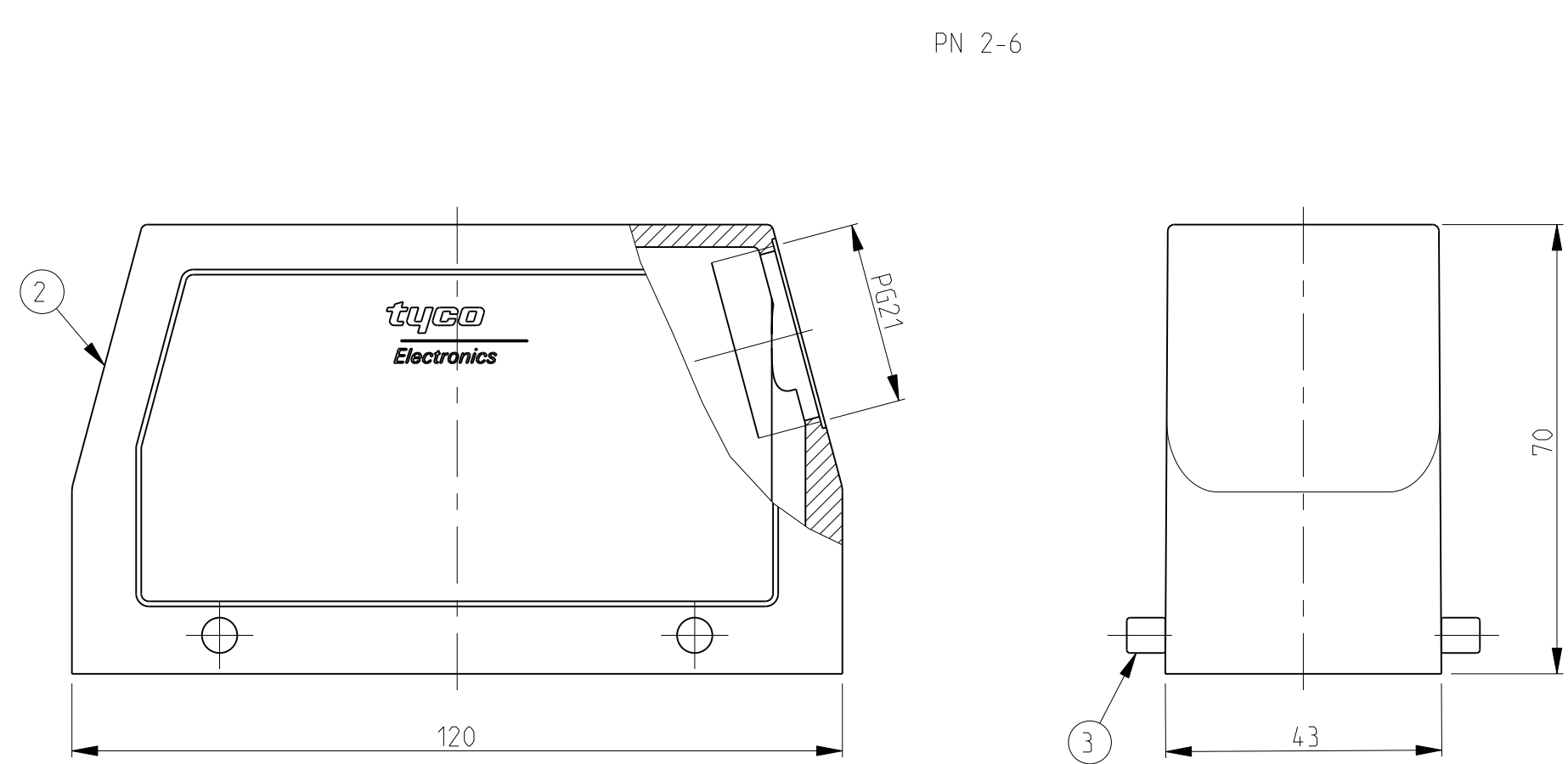
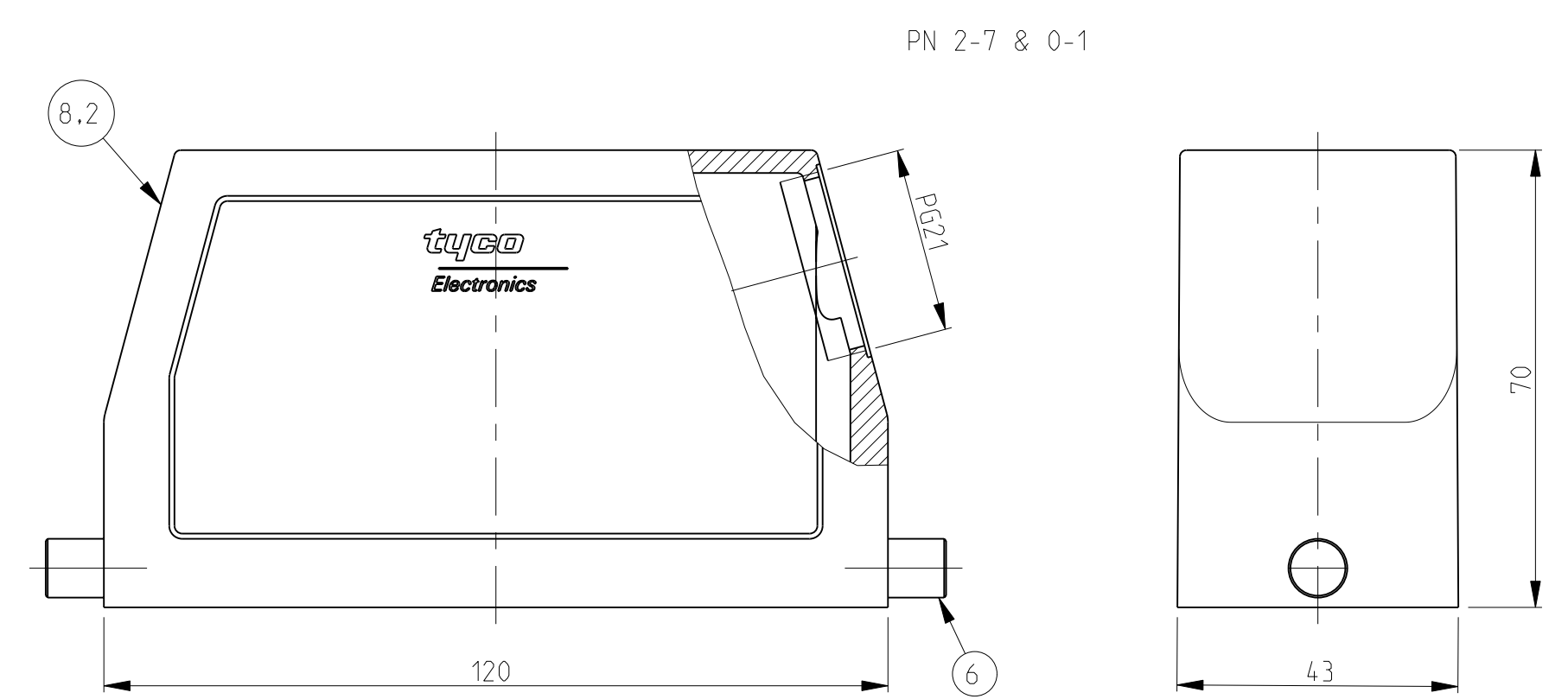
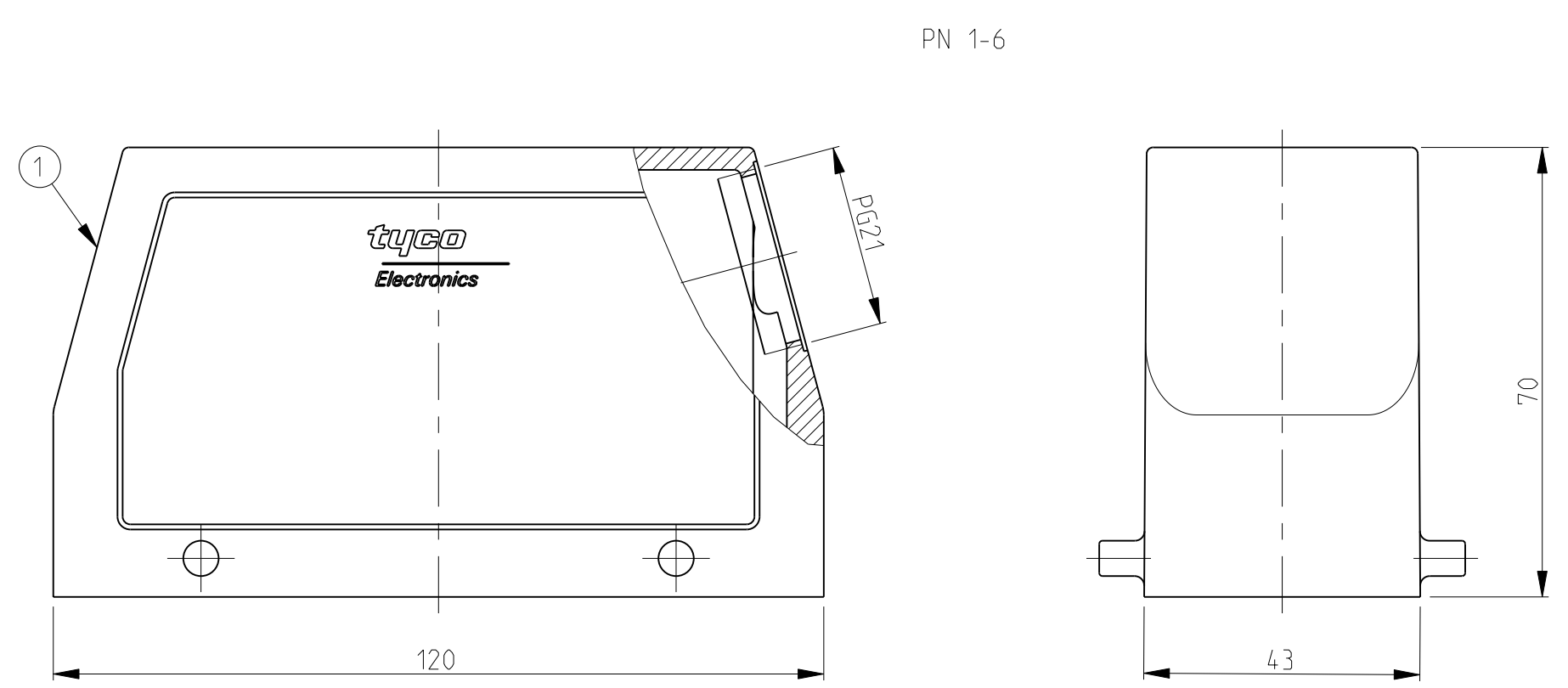
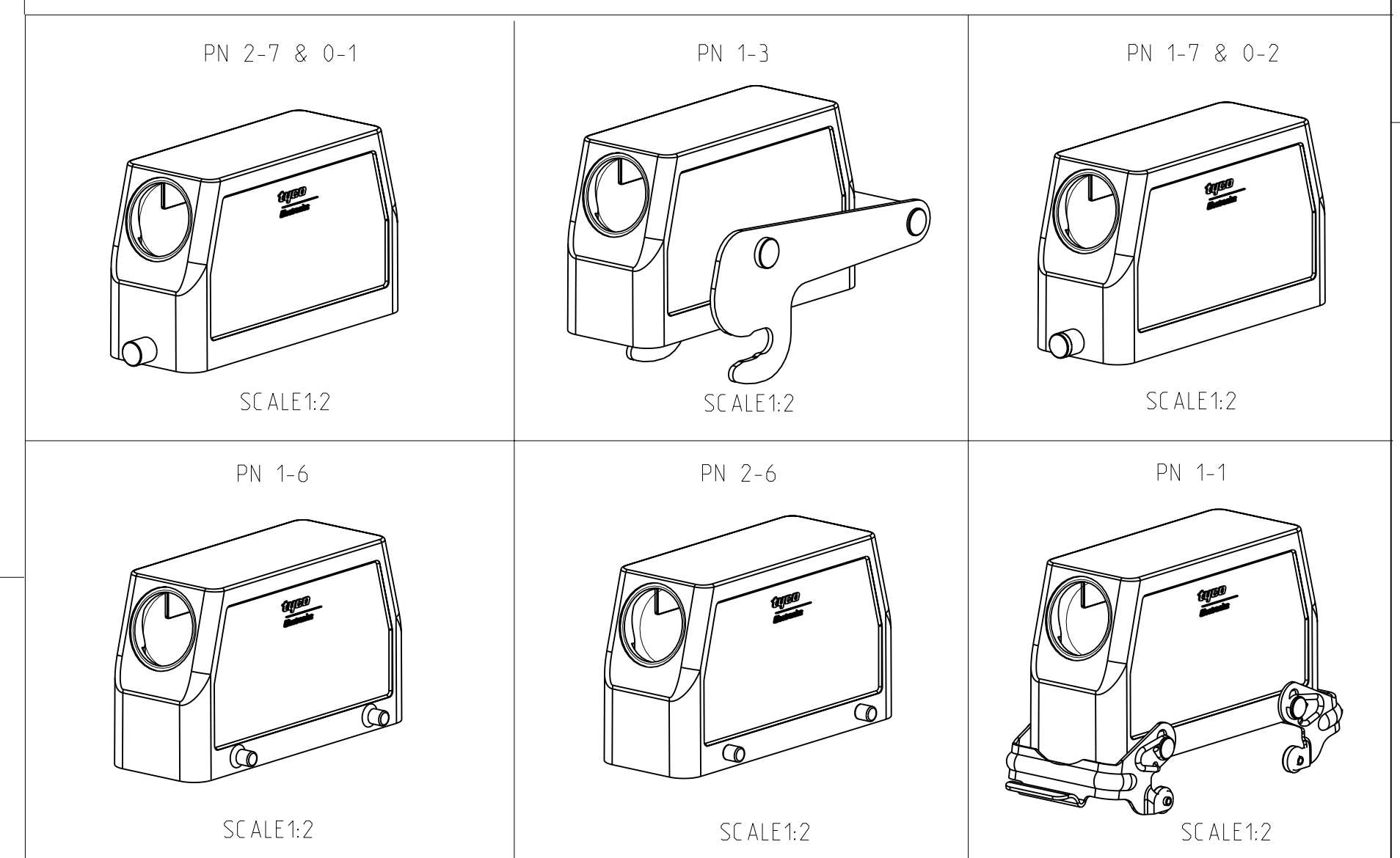


REV. NO.		REVISIONS			
LOC	DIST	DATE	BY	APPD	DESCRIPTION
A1	-				
	A3	22.08.07	SK	TS	Released as per ECR-07-019955



- NOTES.
- 1 Material:Housing:Aluminium Diecasting Alloy
 - 2 Surface:Varnish grey
-Aluminium oxide-
Varnish black
 - 3 Varnish on the inside not necessary
 - 4 Packaging
Quantity 5 Pieces in a box



QTY	ITEM NO	DESCRIPTION	MATERIAL	SURFACE	COLOR	REMARKS
1	1	Hood HB	Aluminium	-	Grey	9 Neutral
1	1	Hood HB-K	Aluminium	Aluminium oxide	Aluminium-colored	8 Special lacquer finish
2	2	ZB-Central clip	Steel	Zinc plated	Blue	7
2	2	LB-Clip bolt	Stainless steel	Blank	-	6
2	2	VS-Side clip	Steel	Zinc plated	Blue	5
4	4	VS-Side clip	Steel	Zinc plated	Blue	4
1	1	HB-K Hood	Aluminium	Aluminium oxide	Black	3
1	1	HB Hood	Aluminium	-	Grey	2
1	1	HB Hood	Aluminium	-	Grey	1

ORDERING TEXT

HB.24.STS.1.21.G
 HB-K.24.STS.1.21.G
 HB.24.STS-VS.1.21.G
 HB.24.STS-GR.1.21.G
 HB-K.24.STS-GR.1.21.G
 HB-Z.24.STS-ZB.1.21.G
 HB-K.24.STS-ZB.1.21.G
 HB.24.STS-GR.1.21.G

DIMENSIONS:	TOLERANCES UNLESS OTHERWISE SPECIFIED:	DWN	Schneider	05.06.00	Tyco Electronics AMP GmbH 0-53819,Neunkirchen,Germany
mm	0.100 mm	CHK	Schweiger	05.06.00	
MATERIAL:	FINISH:	APVD			NAME: Hood HB.24.STS.1.21.G
		PRODUCT SPEC	108-74001		SIZE: A 00779
		PLC	108-74003		CAGE CODE: C=1102316
		APPLICATION SPEC	114-74001		DRAWING NO: 1102316
		PLC	114-74004		RESTRICTED TO: -
		WEIGHT			SCALE: 1:1 SHEET: 1 OF 1 REV: A3

CUSTOMER DRAWING

Mouser Electronics

Authorized Distributor

Click to View Pricing, Inventory, Delivery & Lifecycle Information:

[TE Connectivity:](#)

[1-1102316-7](#)