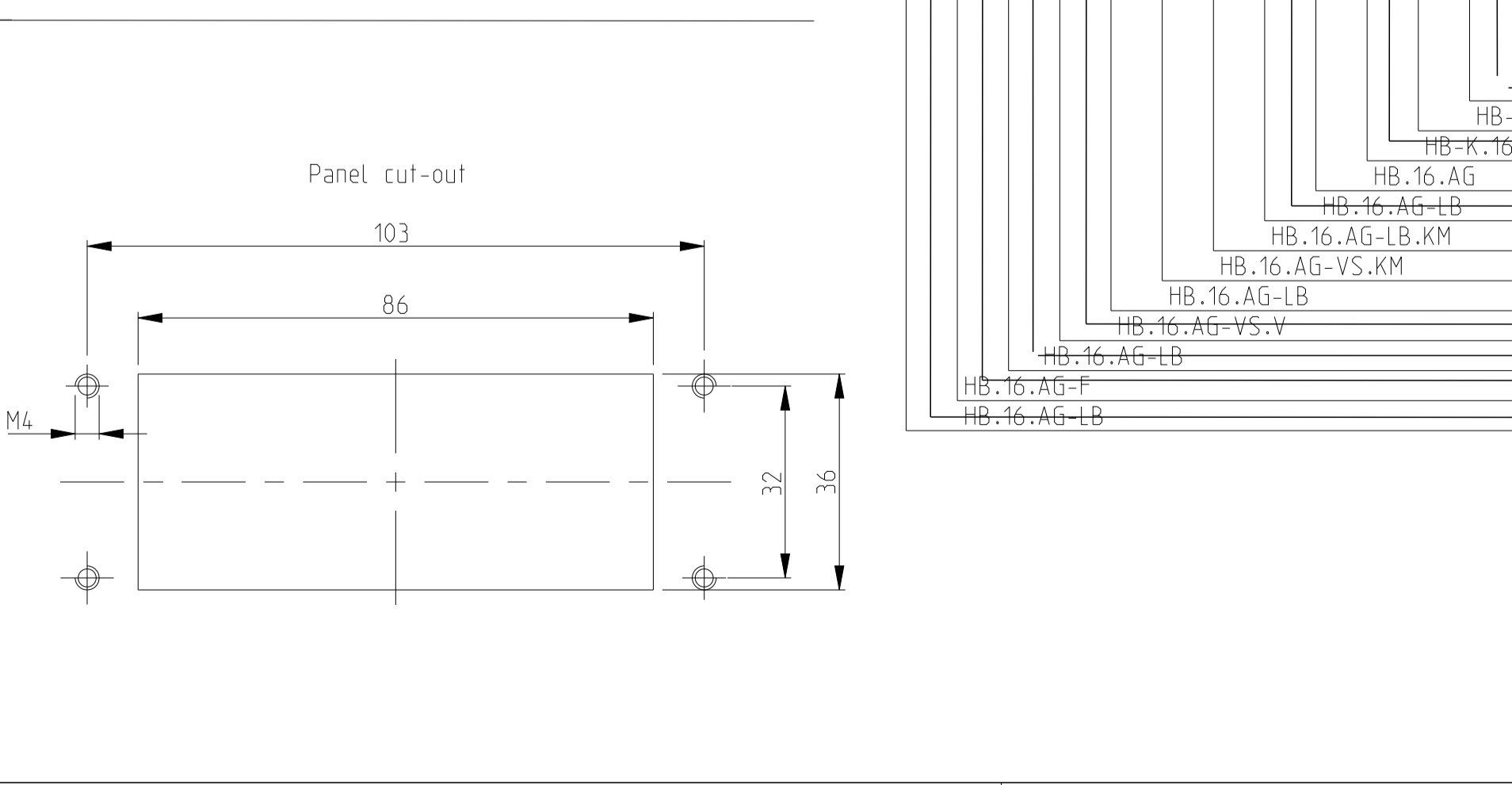
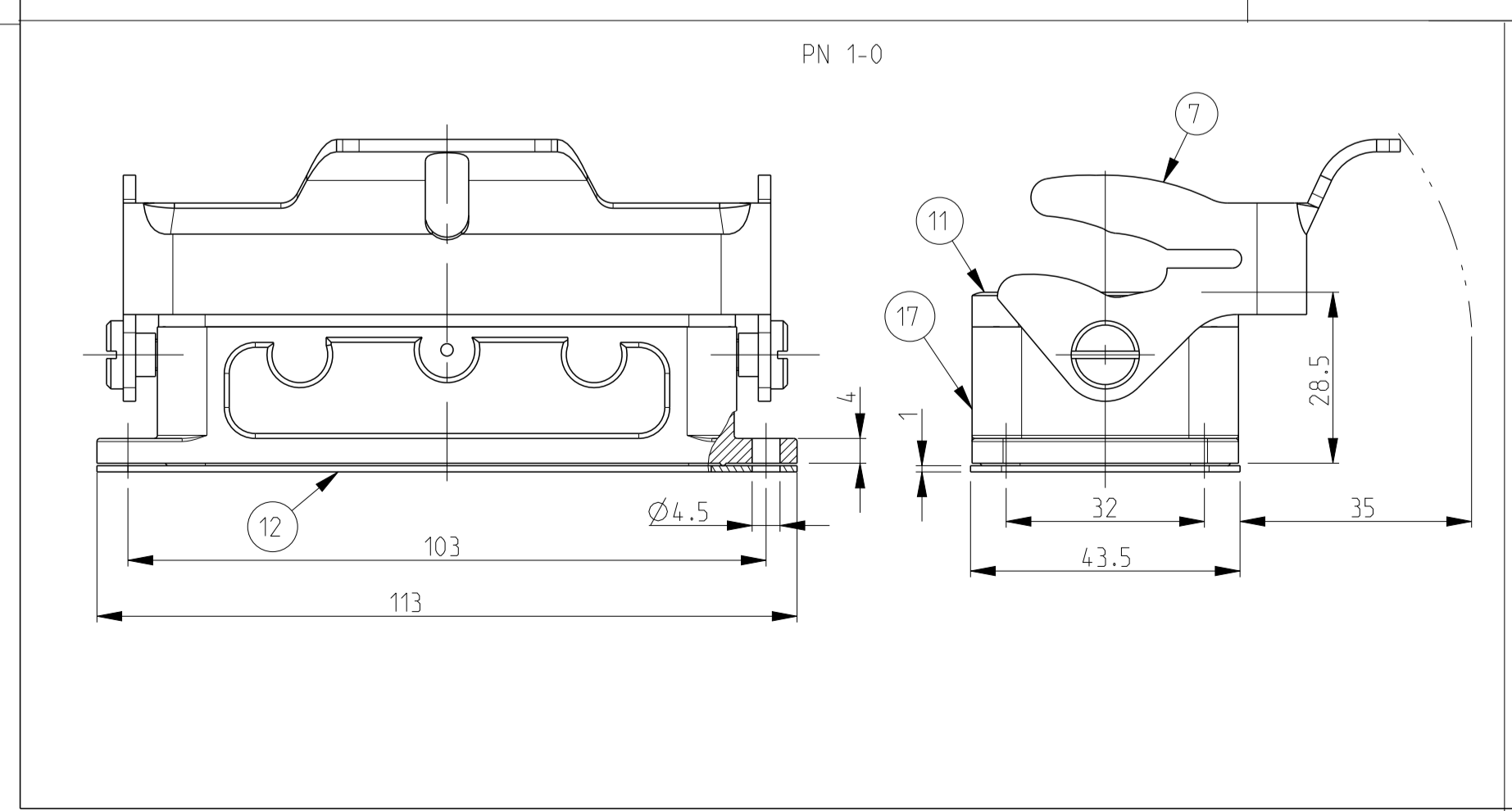
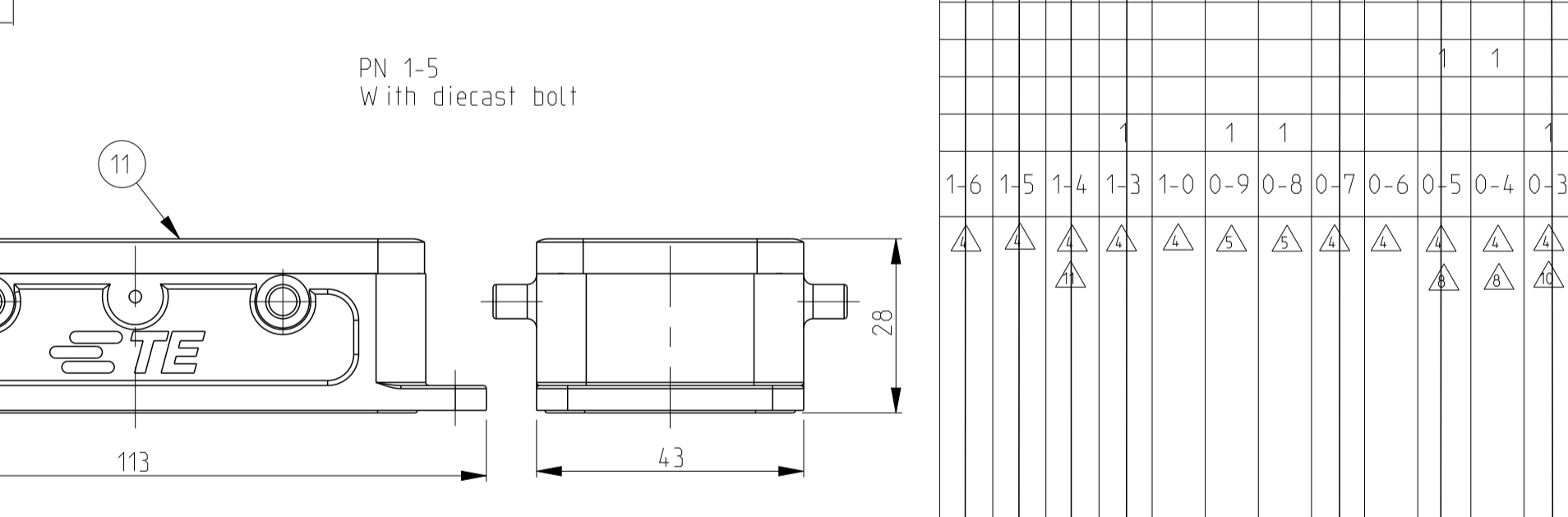
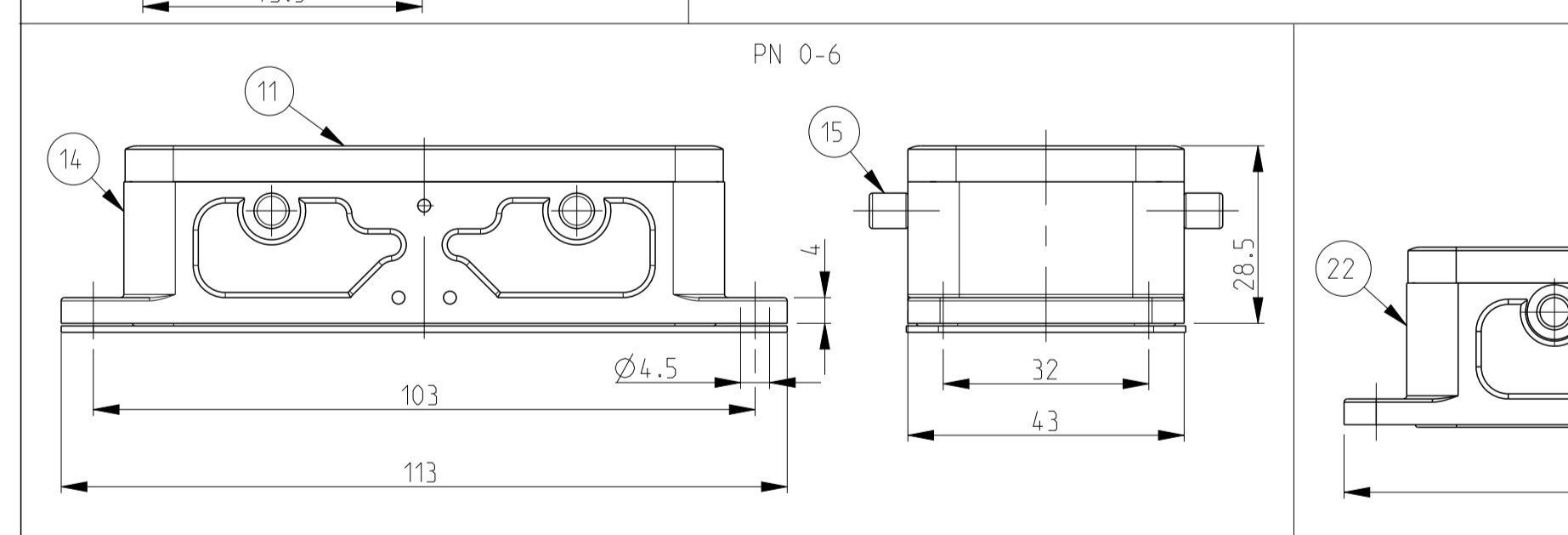
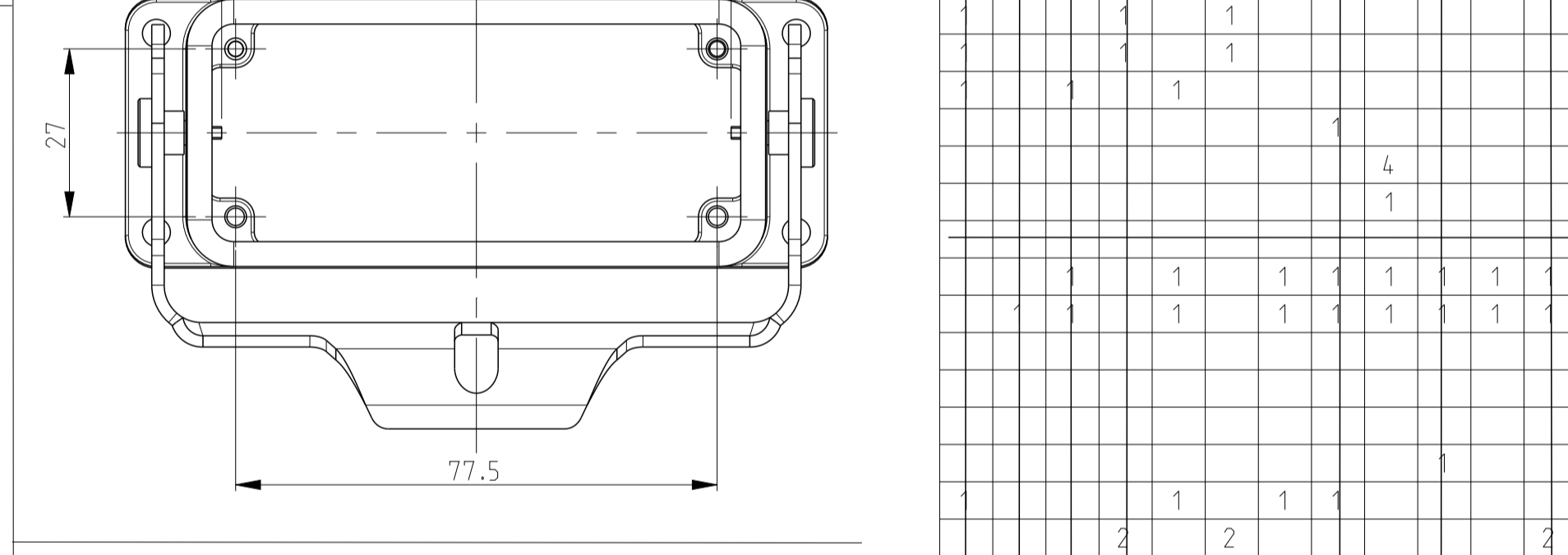
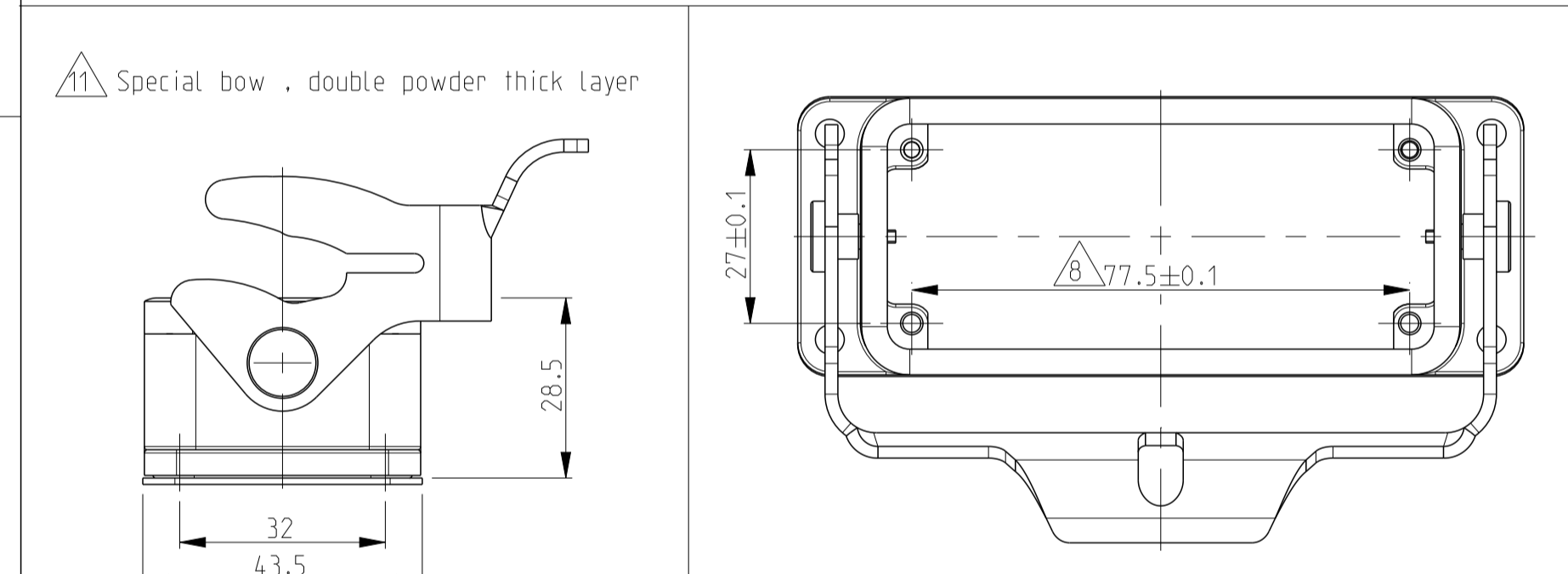
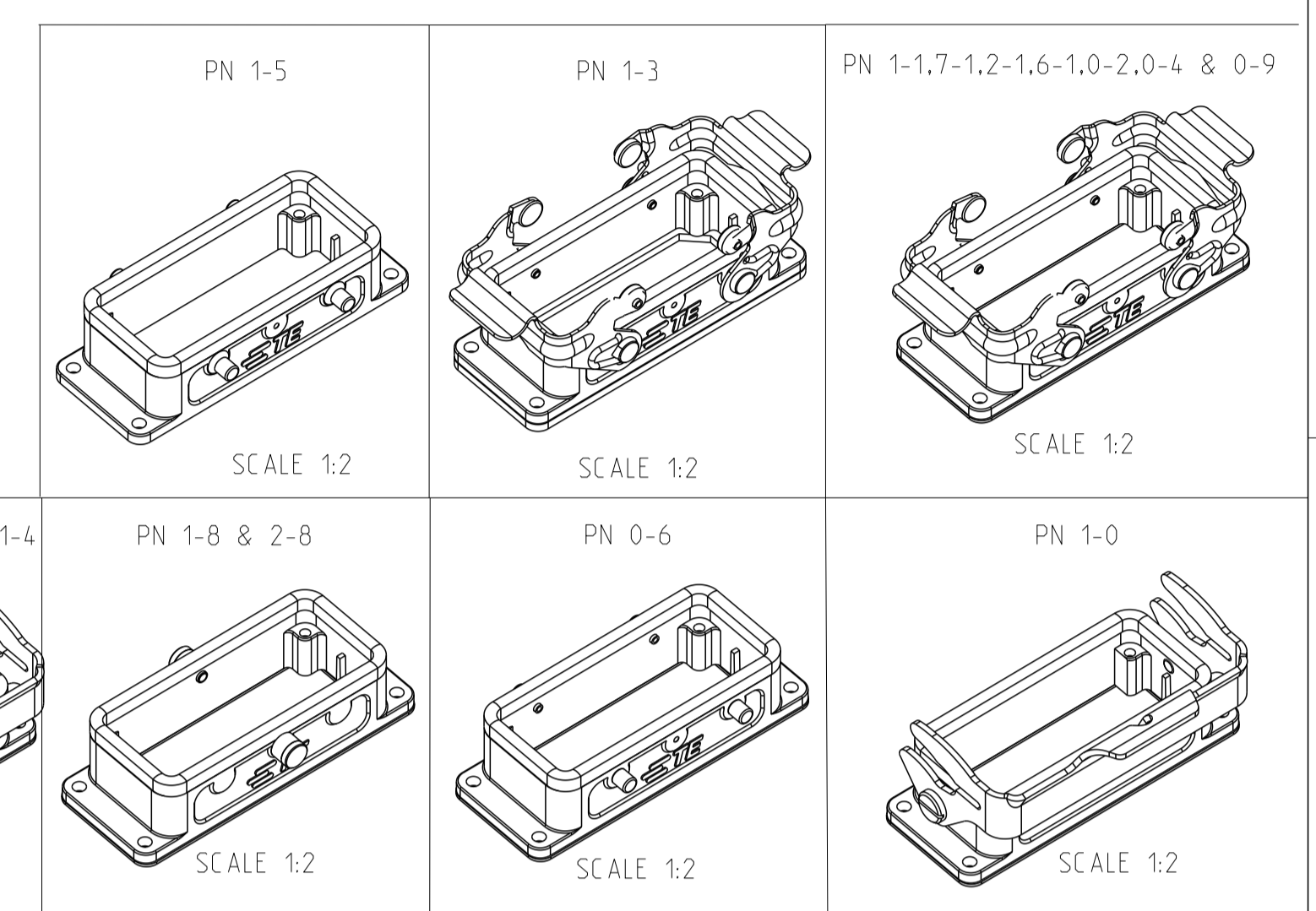


NOTES

- Material: Housing aluminium diecasting alloy
Seals: Neoprene : Viton
- Surface: Varnish Grey; Black
- Varnish on the inside not necessary
- Packaging quantity 5 pieces
- Packaging quantity 100 pieces
- Packaging quantity 150 pieces
- Only valid for PN 0-1:
couding device beveled on dimension 82
- Only valid for PN 0-4 and 0-5
Plaf form beveled on dimension 72.5±0.1 both sides
- Only valid for PN 0-2
Seal loose attached
- Only valid for PN 0-3:
flange seal clued on
- Special side clip for Mitsubishi
powder coating for housing : 120-160 µm

LOC	DIST	REVISIONS					
		P	LTA	DESCRIPTION	DATE	DWN	APVD
A1		C1		ECR-16-009320	13DEC2016	GCM	MKO
		C2		ECR-16-015318	26OCT2017	GR	MKO



ITEM NO	DESCRIPTION	MATERIAL	SURFACE	COLOR	ITEM NO	NOTES
1	Surface mounted housing bottom entry HB	Aluminium		Grey RAL7001	22	With bolt
2	LB-Side clip	Steel	Zinc plated	Blue	21	
3	Surface mounted housing bottom entry HB	Aluminium		Grey 120-160 µm	20	
4	Flange seal	Viton		Black	19	
5	Profile seal	Viton		Grey	18	
6	Surface mounted housing bottom entry HB	Aluminium		Grey RAL7001	17	Neutral
7	Surface mounted housing bottom entry HB	Aluminium		Grey RAL7001	16	Without bolt
8	Clip bolt-HB	Steel	Zinc plated	Blue	15	
9	Surface mounted housing bottom entry HB	Aluminium		Grey RAL7001	14	
10					13	
11	Flange seal	Neoprene		Black	12	
12	Profile seal	Neoprene		Black	11	
13	ZB-Clip bolt	Stainless steel			10	
14	ZB-Clip bolt	Steel	Zinc plated	Blue	9	
15	LB-Side clip	Stainless steel			8	
16	LB-Side clip	Steel	Zinc plated	Blue	7	
17	VS-Locking clip	Stainless steel			6	
18	VS-Locking clip	Steel	Zinc plated	Blue	5	
19	Surface mounted housing bottom entry HB	Aluminium		With out varnish	4	
20	Surface mounted housing bottom entry HB-K	Aluminium	Aluminium oxide	Black RAL9005	3	
21	Surface mounted housing bottom entry HB-K	Aluminium		Black RAL9005	2	
22	Surface mounted housing bottom entry HB	Aluminium		Grey RAL7001	1	

1-6	1-5	1-4	1-3	1-0	0-9	0-8	0-7	0-6	0-5	0-4	0-3	0-2	0-1	6-1	8-1	2-8	1-8	2-2	1-2	2-1	17-1	1-1	DESCRIPTION	MATERIAL	SURFACE	COLOR	ITEM NO	NOTES
																							ORDERING TEXT					
																							HB.16.AG-VS					
																							HB.16.AG-VS					
																							HB-K.16.AG-VS					
																							HB.16.AG-LB					
																							HB-K.16.AG-LB					
																							HB-Z.16.AG-ZVGR					
																							HB-K/Z.16.AG-ZV					
																							HB.16.AG-LB					
																							HB.16.AG-VS					
																							HB.16.AG-VS					
																							HB.16.AG-VS					
																							HB-K.16.AG-VS					
																							HB.16.AG					
																							HB.16.AG-LB					
																							HB.16.AG-LB-KM					
																							HB.16.AG-VS-KM					
																							HB.16.AG-LB					
																							HB.16.AG-VS-V					
																							HB.16.AG-LB					
																							HB.16.AG-F					
																							HB.16.AG-LB					

THIS DRAWING IS A CONTROLLED DOCUMENT.

DIMENSIONS: mm

TOLERANCES UNLESS OTHERWISE SPECIFIED: ±0.10 mm

MATERIAL: ALUMINUM

FINISH: VARNISH

OWN: Schwegler 23.07.1997

CHK: Kramer 23.06.1998

APVD: Kramer

PRODUCT SPEC: 108-74001/74003

APPLICATION SPEC: 114-74001/74004/74005

WEIGHT: 0.07779

CUSTOMER DRAWING

NAME: Surface Mounted housing Bottom Entry HB.16

SIZE: A1

CAGE CODE: 00779

DRAWING NO: C=1102296

RESTRICTED TO: NO

SCALE: 1:1

SHEET: 1 OF 1

REV: C2

TE Connectivity

Mouser Electronics

Authorized Distributor

Click to View Pricing, Inventory, Delivery & Lifecycle Information:

[TE Connectivity:](#)

[2-1102296-1](#)