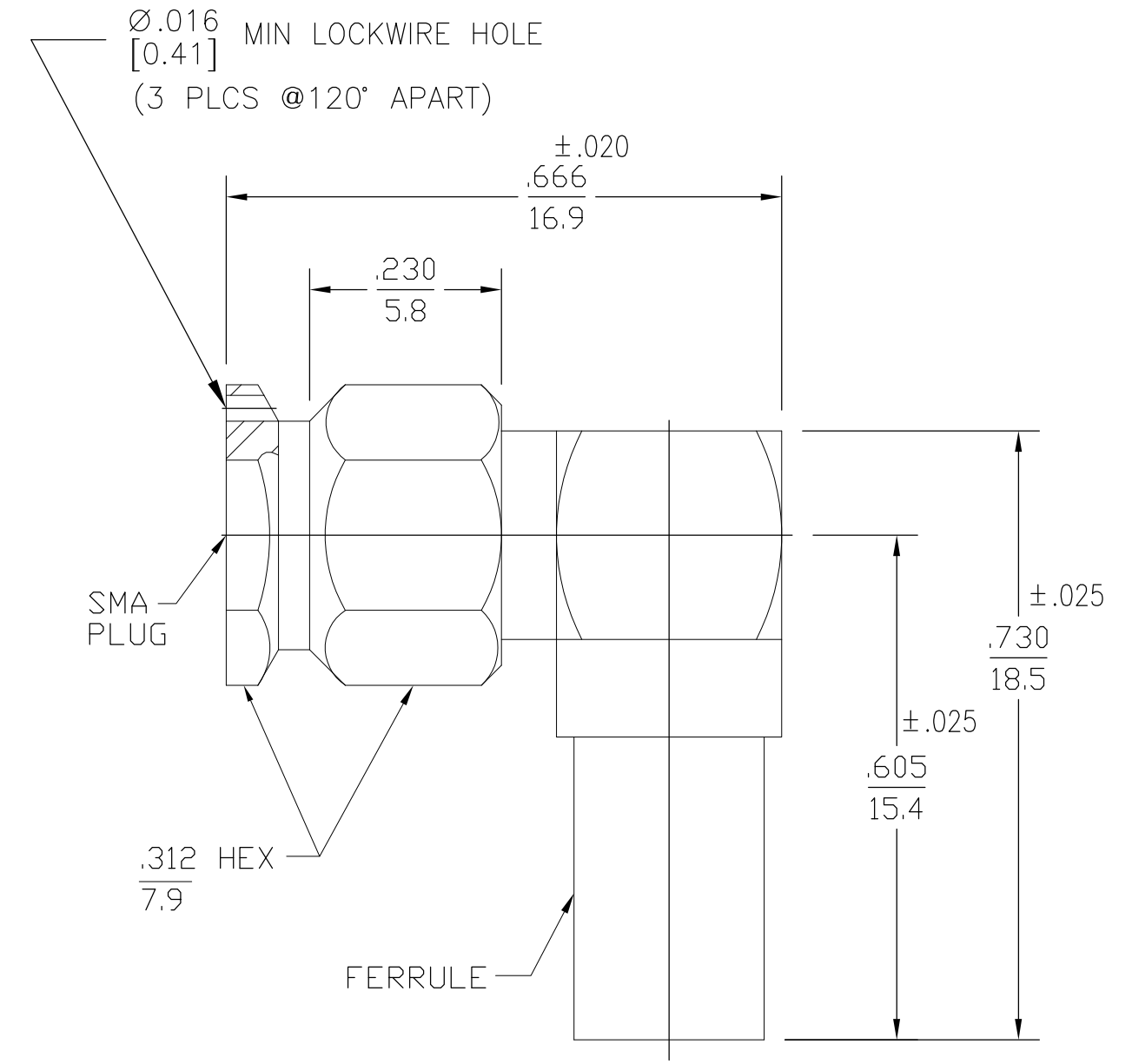


THIS DRAWING IS UNPUBLISHED.		RELEASED FOR PUBLICATION	
© COPYRIGHT - By -		ALL RIGHTS RESERVED.	
HOUSING CAP COUPLING NUT	STAINLESS STEEL PER ASTM-A484 AND ASTM- A582, TYPE 303	PASSIVATE PER QQ-P-35	
DIELECTRIC	TFE FLUOROCARBON PER ASTM-D-1457	N/A	
CENTER CONTACT	BRASS PER ASTM-B-16 HALF HARD	GOLD PLATE PER MIL-G-45204	
RETAINING RING	BERYLLIUM COPPER PER ASTM-B-194, ALLOY C17200, CONDITION H	N/A	
GASKET	SILICONE RUBBER PER ZZ-R-765	N/A	
FERRULE	COPPER OR BRASS ALLOY ROCKWELL F65 MAXIMUM	GOLD PLATE PER MIL-G-45204	
COMPONENT	MATERIAL	FINISH	

LOC	DIST	REVISIONS					
-	-	P	LTR	DESCRIPTION	DATE	DWN	APVD
		C		REV PER ECO-12-018918	15NOV12	PY	DW



1. CAPTURED CENTER CONTACT

1052157-1
PART NO.

DESIGNED FOR USE WITH RG-174, 316/U	
CABLE ENTRY DIAMETER MINIMUM	
SLEEVE	.125
HOUSING	.066
CONTACT	.041 SLOT

THIS DRAWING IS A CONTROLLED DOCUMENT.		DWN P. YEAGER 05JUN2007	TE Connectivity														
DIMENSIONS: INCHES		CHK D. WILSON 07JUN07															
TOLERANCES UNLESS OTHERWISE SPECIFIED:		APVD D. WILSON 07JUN07	NAME SMA RIGHT ANGLE CABLE PLUG SOLDER ATTACHMENT M39012/56-3012 CAT B														
<table border="1"> <tr> <td>0 PLC</td> <td>± -</td> </tr> <tr> <td>1 PLC</td> <td>± -</td> </tr> <tr> <td>2 PLC</td> <td>± -</td> </tr> <tr> <td>3 PLC</td> <td>± .005 [0.13]</td> </tr> <tr> <td>4 PLC</td> <td>± -</td> </tr> <tr> <td>ANGLES</td> <td>± 1°</td> </tr> </table>		0 PLC	± -	1 PLC	± -	2 PLC	± -	3 PLC	± .005 [0.13]	4 PLC	± -	ANGLES	± 1°	PRODUCT SPEC -	RESTRICTED TO -		
0 PLC	± -																
1 PLC	± -																
2 PLC	± -																
3 PLC	± .005 [0.13]																
4 PLC	± -																
ANGLES	± 1°																
MATERIAL SEE TABLE		FINISH SEE TABLE	APPLICATION SPEC -	SIZE A3	CAGE CODE 00779	DRAWING NO C-1052157											
CUSTOMER DRAWING			WEIGHT -	SCALE 5:1	SHEET 1 OF 1	REV C											

Mouser Electronics

Authorized Distributor

Click to View Pricing, Inventory, Delivery & Lifecycle Information:

[TE Connectivity:](#)

[1052157-1](#)