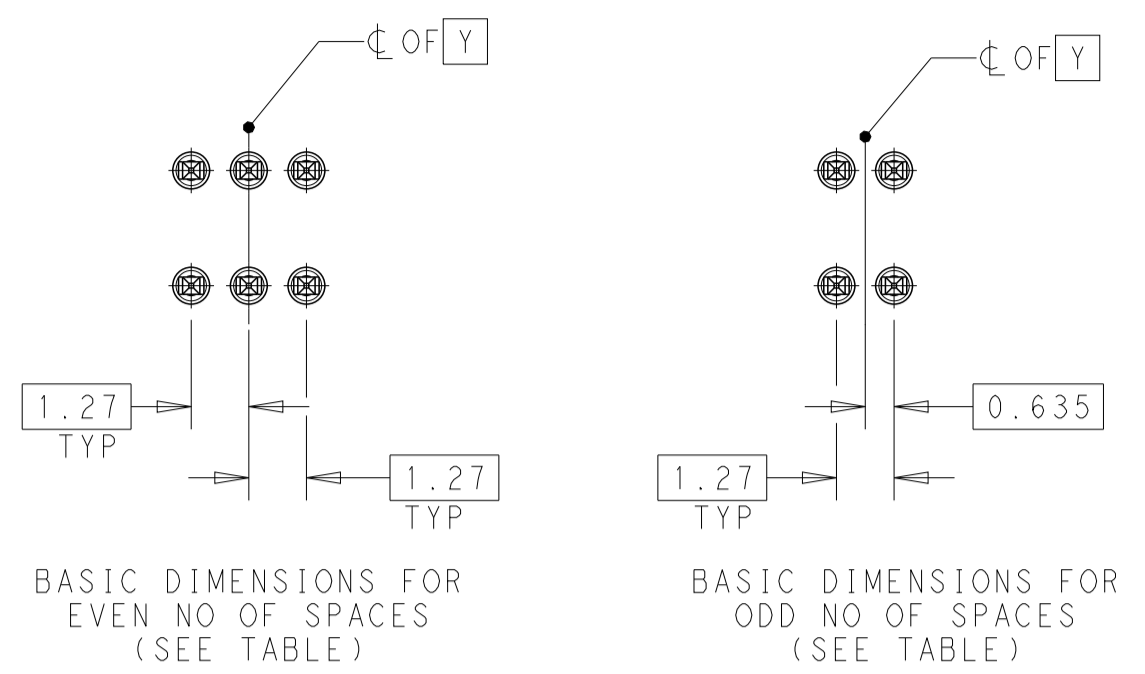
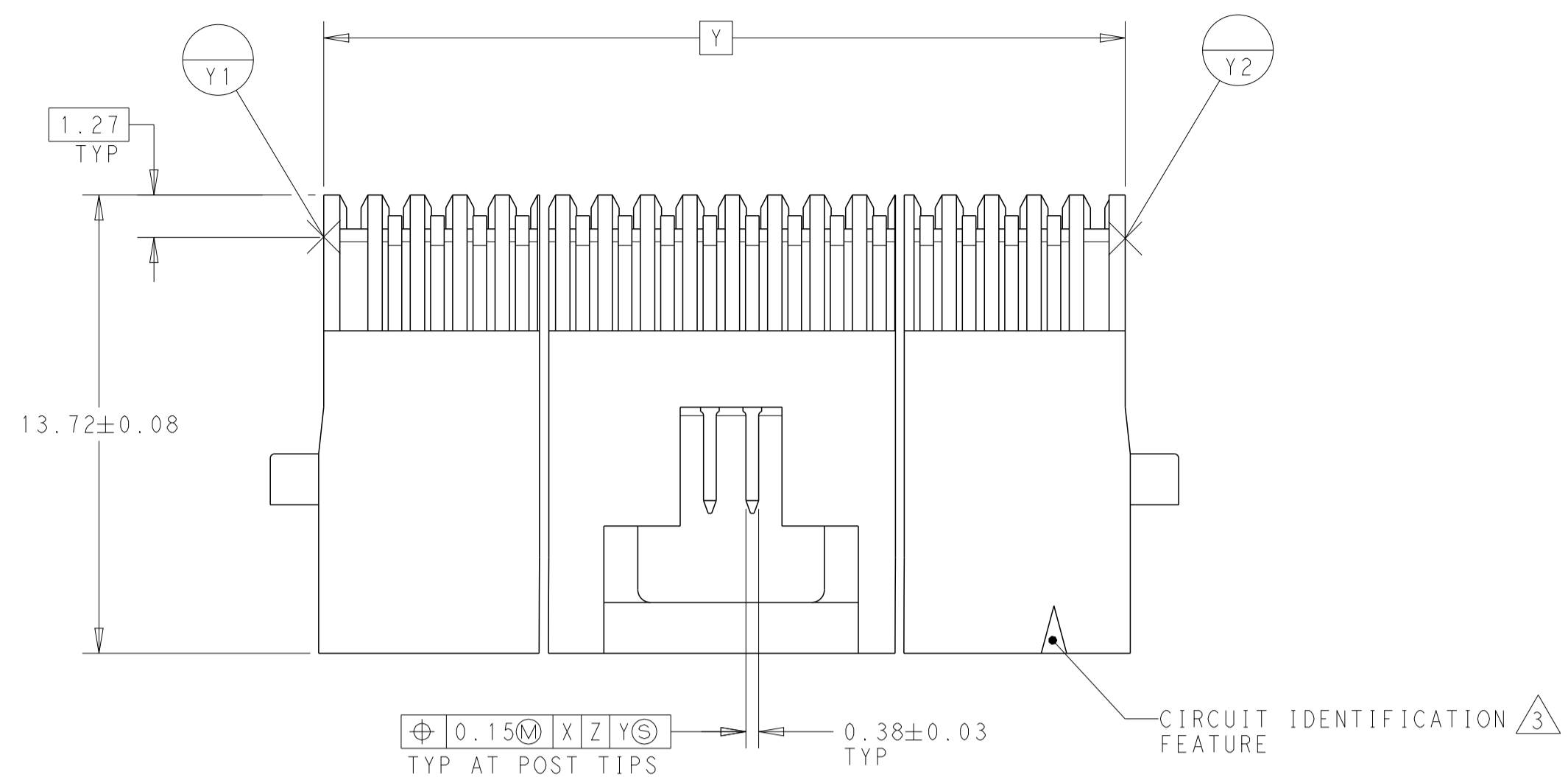
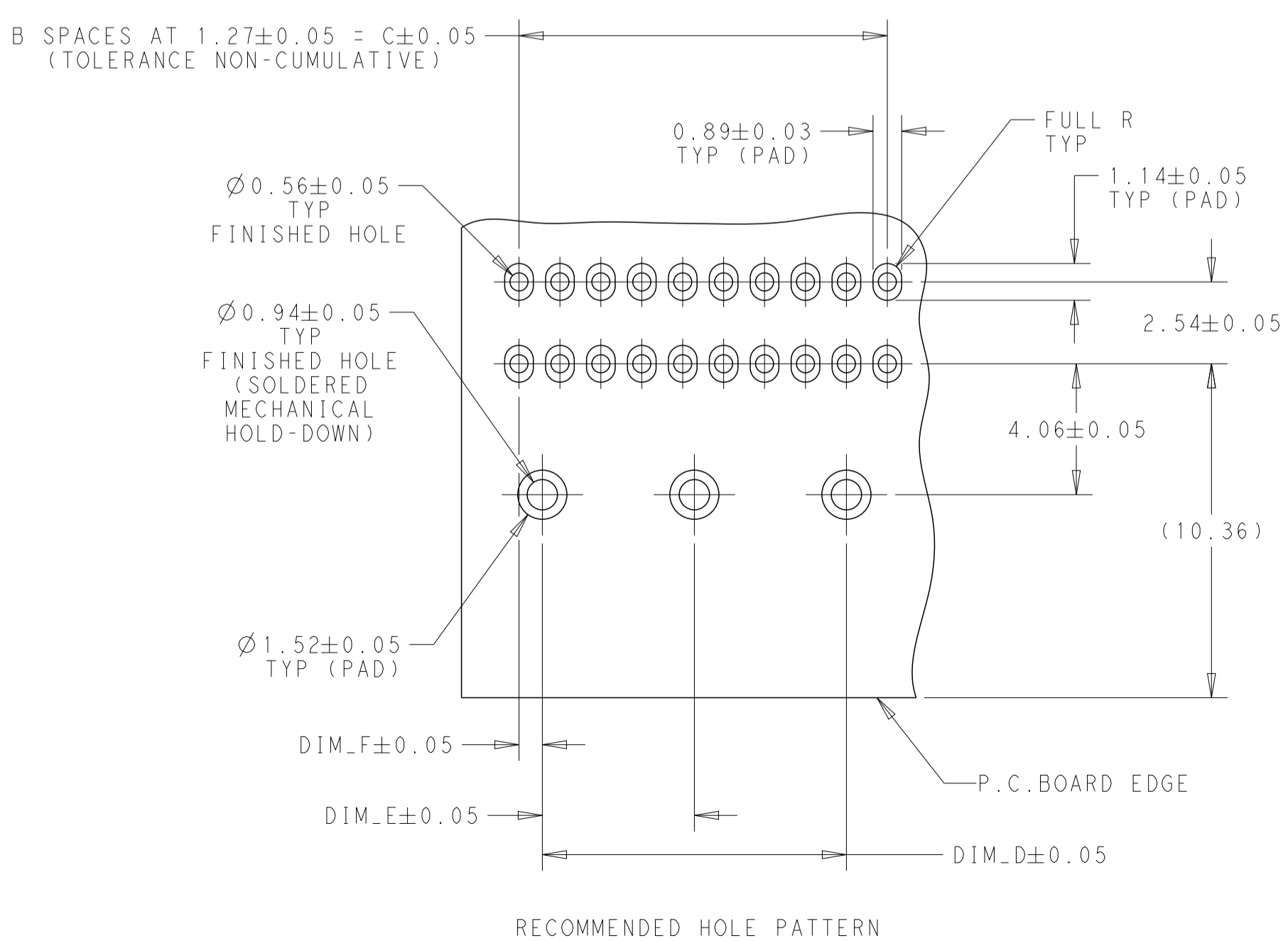
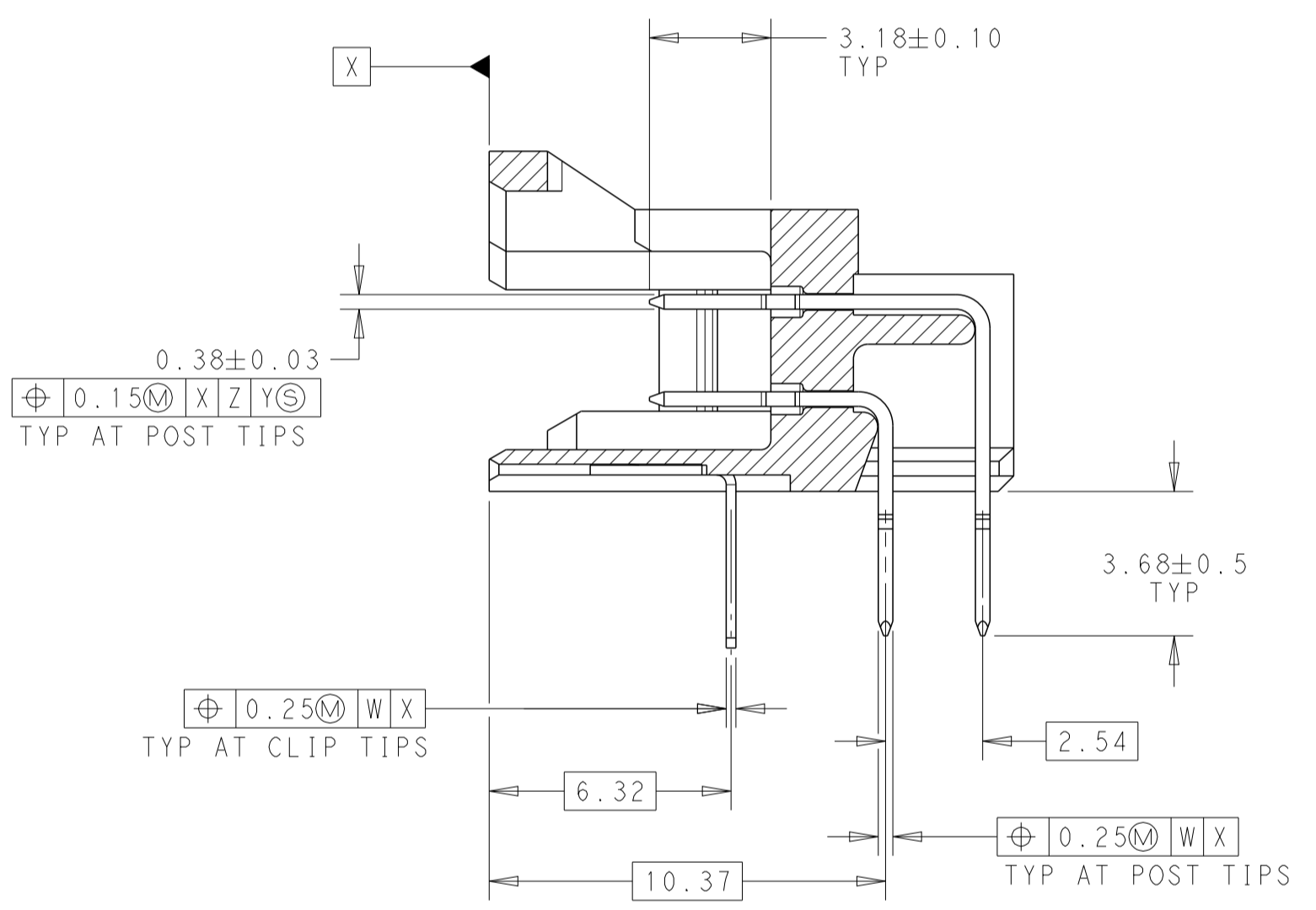
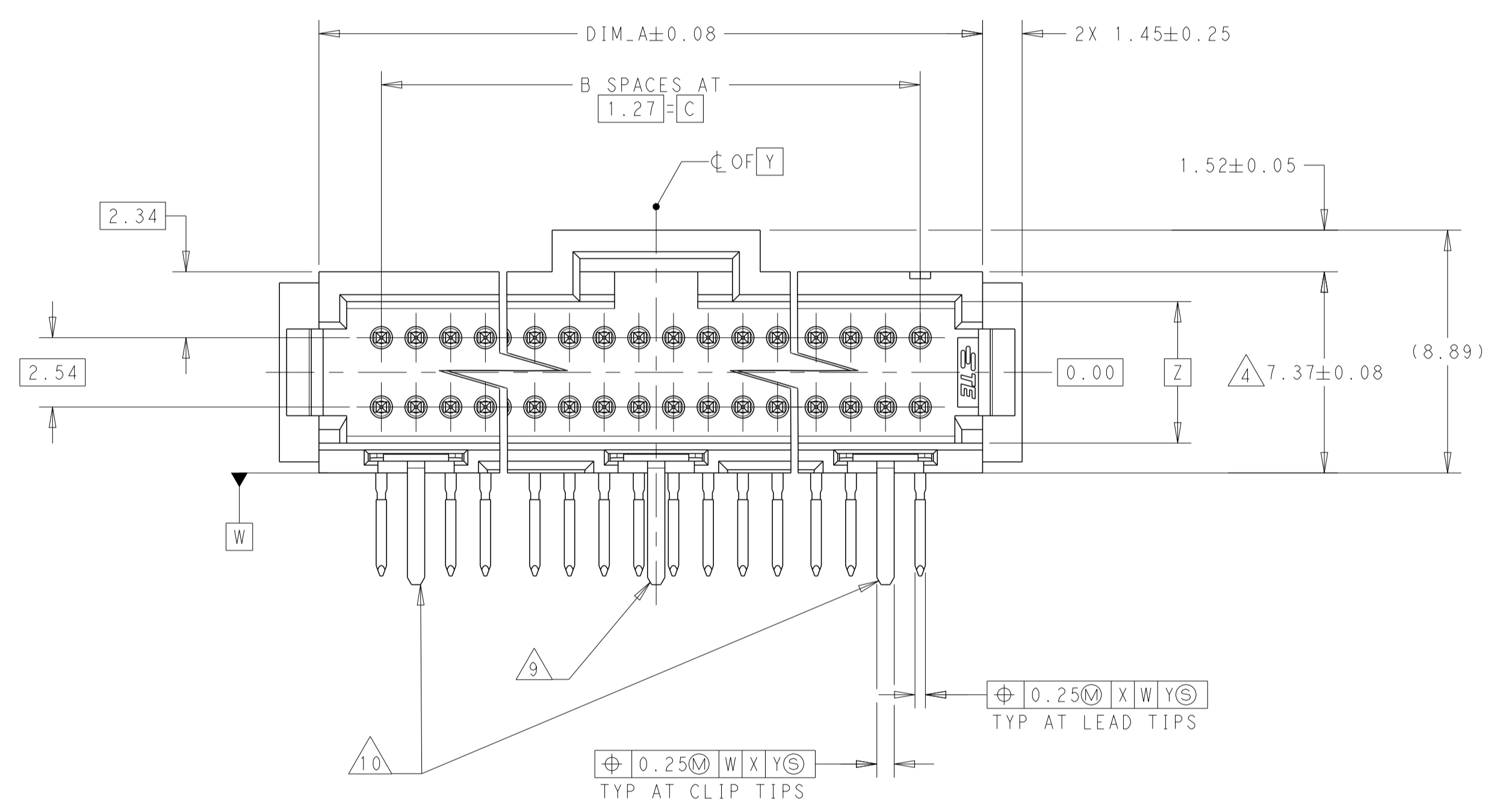


REVISIONS				
P	LTN	DESCRIPTION	DATE	APPD
AA		REDRAWN/REVISED PER ECO-17-001755	20NOV2017	KS JO



- 1 CONTACT AREAS PLATED WITH 0.76µm GOLD, SOLDER TAILS PLATED WITH 3.81µm TIN-LEAD, ALL OVER 1.27µm NICKEL
2. NOTE DELETED.
- 3 CIRCUIT IDENTIFICATION FEATURE OMITTED ON 8, 10, 12, & 14 POSITION HEADER ASSEMBLIES
- 4 DIMENSIONS APPLIES AT BASE OF SHROUD
- 5 THE NOTED DIMENSIONS APPLY AT THE INTERSECTION OF THE POST AND HOUSING.
6. NOTE DELETED.
- 7 CONTACT AREAS PLATED WITH 0.76µm GOLD, SOLDER TAILS PLATED WITH 3.81µm TIN, ALL OVER 1.27µm NICKEL.
- 8 HOUSING: LCP, COLOR: BLACK
POST: COPPER ALLOY
- 9 HOLD DOWN FEATURES LOCATED AS SHOWN FOR 8 THRU 14 & 60 THRU 100 POSN ASSEMBLIES (SEE TABLE)
- 10 HOLD DOWN FEATURES LOCATED AS SHOWN FOR 16 THRU 100 POSN ASSEMBLIES (SEE TABLE)
- 11 FINISH: 0.03µm MIN GOLD ON GOLD PLATED AREA, 3.81µm MATTE TIN LEAD ON TIN PLATED AREA. UNDER PLATING SHOULD BE 1.27µm NICKEL ON ENTIRE CONTACT.
- 12 FINISH: 0.03µm MIN GOLD ON GOLD PLATED AREA, 3.81µm MATTE TIN ON TIN PLATE AREA. UNDER PLATING SHOULD BE 1.27µm NICKEL ON ENTIRE CONTACT.
13. NOTE DELETED.
14. NOTE DELETED.



FINISH	DIM_F	DIM_E	DIM_D	DIM_C	B SPACES	DIM_A	NO OF POSN	PART NUMBER
-	2.54	-	5.08	4	9.65	10	8-104477-2	
-	1.27	12.7	15.24	12	19.81	26	8-104477-1	
5.72	1.27	11.43	13.97	11	18.54	24	8-104477-0	
17.15	1.27	34.29	36.83	29	41.40	60	7-104477-9	
-	3.18	-	6.35	5	10.92	12	7-104477-8	
29.85	1.27	59.69	62.23	49	66.80	100	7-104477-7	
23.5	1.27	46.99	49.53	39	54.10	80	7-104477-6	
-	1.27	27.94	30.48	24	35.05	50	7-104477-5	
-	1.27	21.59	24.13	19	28.70	40	7-104477-4	
-	1.27	15.24	17.78	14	22.35	30	7-104477-3	
-	1.27	8.89	11.43	9	16.00	20	7-104477-2	
20.96	1.27	41.91	44.45	35	49.02	72	7-104477-1	
-	2.54	-	5.08	4	9.65	10	6-104477-2	
-	1.27	12.7	15.24	12	19.81	26	6-104477-1	
5.72	1.27	11.43	13.97	11	18.54	24	6-104477-0	
17.15	1.27	34.29	36.83	29	41.40	60	5-104477-9	
-	3.18	-	6.35	5	10.92	12	5-104477-8	
29.85	1.27	59.69	62.23	49	66.80	100	5-104477-7	
23.5	1.27	46.99	49.53	39	54.10	80	5-104477-6	
-	1.27	27.94	30.48	24	35.05	50	5-104477-5	
-	1.27	21.59	24.13	19	28.70	40	5-104477-4	
-	1.27	15.24	17.78	14	22.35	30	5-104477-3	
-	1.27	8.89	11.43	9	16.00	20	5-104477-2	
20.96	1.27	41.91	44.45	35	49.02	72	5-104477-1	

FINISH	DIM_F	DIM_E	DIM_D	DIM_C	B SPACES	DIM_A	NO OF POSN	PART NUMBER
-	2.54	-	5.08	4	9.65	10	3-104477-2	
-	1.27	12.7	15.24	12	19.81	26	3-104477-1	
5.72	1.27	11.43	13.97	11	18.54	24	3-104477-0	
17.15	1.27	34.29	36.83	29	41.40	60	2-104477-9	
-	3.18	-	6.35	5	10.92	12	2-104477-8	
29.85	1.27	59.69	62.23	49	66.80	100	2-104477-7	
23.5	1.27	46.99	49.53	39	54.10	80	2-104477-6	
-	1.27	27.94	30.48	24	35.05	50	2-104477-5	
-	1.27	21.59	24.13	19	28.70	40	2-104477-4	
-	1.27	15.24	17.78	14	22.35	30	2-104477-3	
-	1.27	8.89	11.43	9	16.00	20	2-104477-2	
20.96	1.27	41.91	44.45	35	49.02	72	2-104477-1	
-	2.54	-	5.08	4	9.65	10	1-104477-2	
-	1.27	12.7	15.24	12	19.81	26	1-104477-1	
5.72	1.27	11.43	13.97	11	18.54	24	1-104477-0	
17.15	1.27	34.29	36.83	29	41.40	60	104477-9	
-	3.18	-	6.35	5	10.92	12	104477-8	
29.85	1.27	59.69	62.23	49	66.80	100	104477-7	
23.5	1.27	46.99	49.53	39	54.10	80	104477-6	
-	1.27	27.94	30.48	24	35.05	50	104477-5	
-	1.27	21.59	24.13	19	28.70	40	104477-4	
-	1.27	15.24	17.78	14	22.35	30	104477-3	
-	1.27	8.89	11.43	9	16.00	20	104477-2	
20.96	1.27	41.91	44.45	35	49.02	72	104477-1	

THIS DRAWING IS A CONTROLLED DOCUMENT. DIMENSIONS: mm. TOLERANCES UNLESS OTHERWISE SPECIFIED: 0 PLC ±0.3, 1 PLC ±0.3, 2 PLC ±0.13, 3 PLC ±0.13, 4 PLC ±0.13, ANGLES ±0.5°.

APPROVED: J. OLSON, 20NOV2017. PRODUCT SPEC: 108-1093. APPLICATION SPEC: 114-25031. WEIGHT: -.

TE Connectivity. NAME: HEADER ASSEMBLY, RIGHT ANGLE, DOUBLE ROW, W/SIDE & END LATCHES, AMPMODU System 50. SIZE: 114-25031. DRAWING NO: A100779. SCALE: 6:1. SHEET 1 OF 1. REV AA.

Mouser Electronics

Authorized Distributor

Click to View Pricing, Inventory, Delivery & Lifecycle Information:

[TE Connectivity:](#)

[104477-3](#)