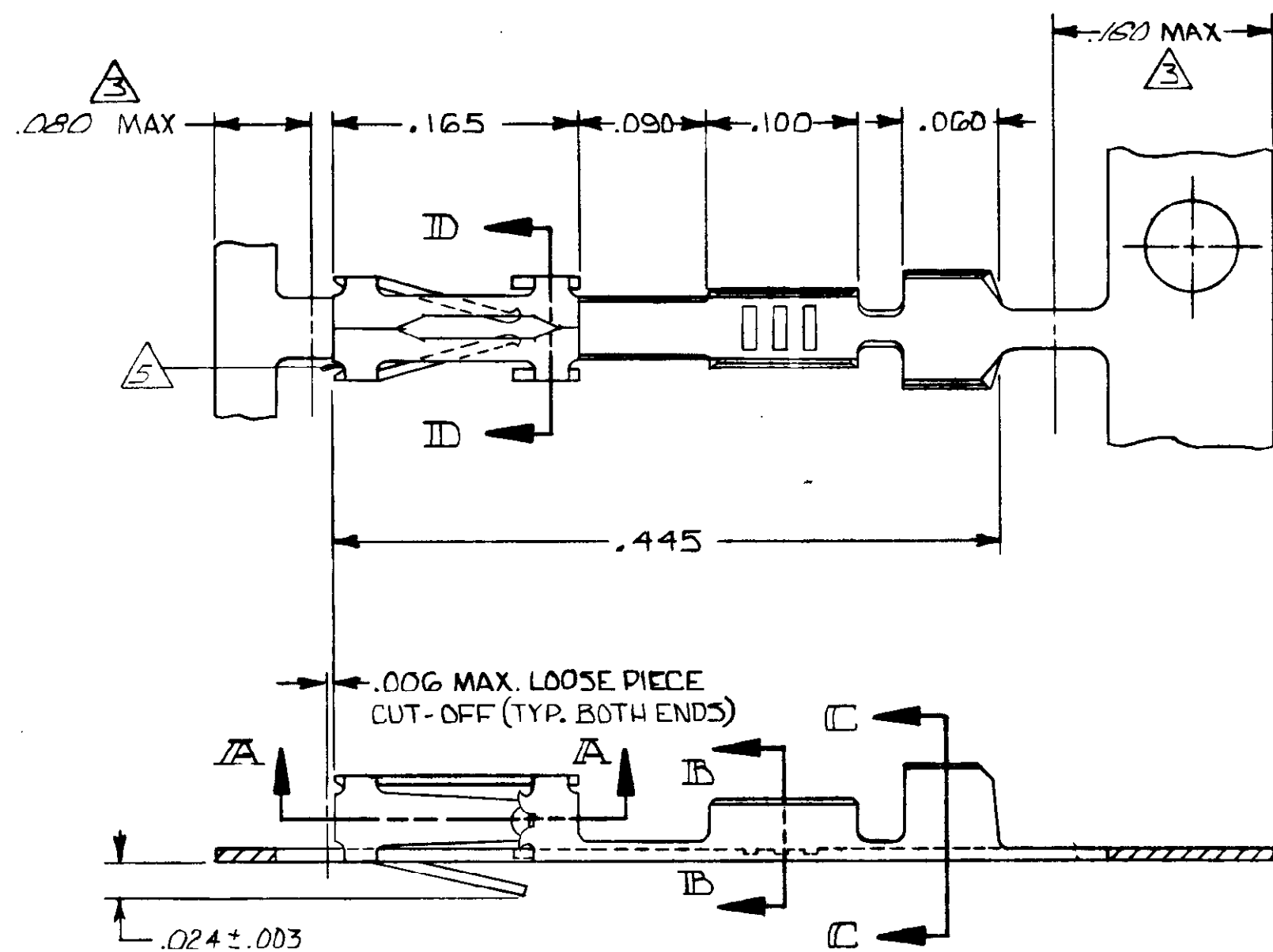
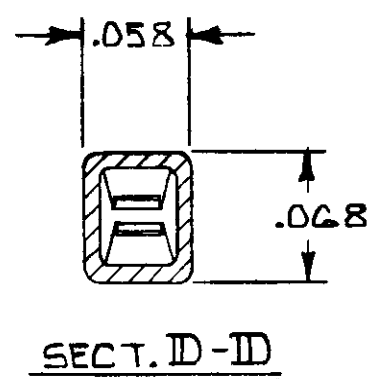
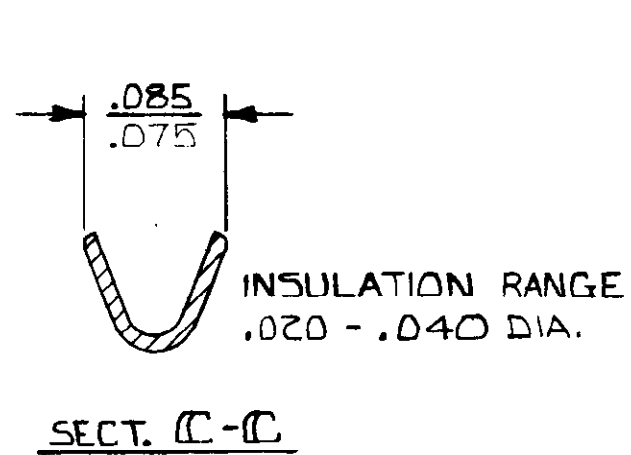
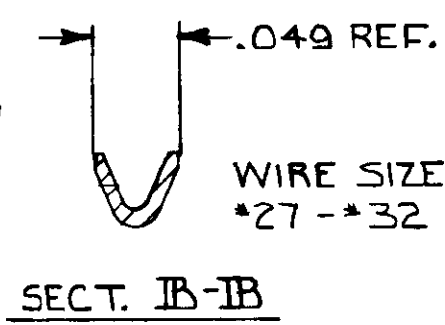
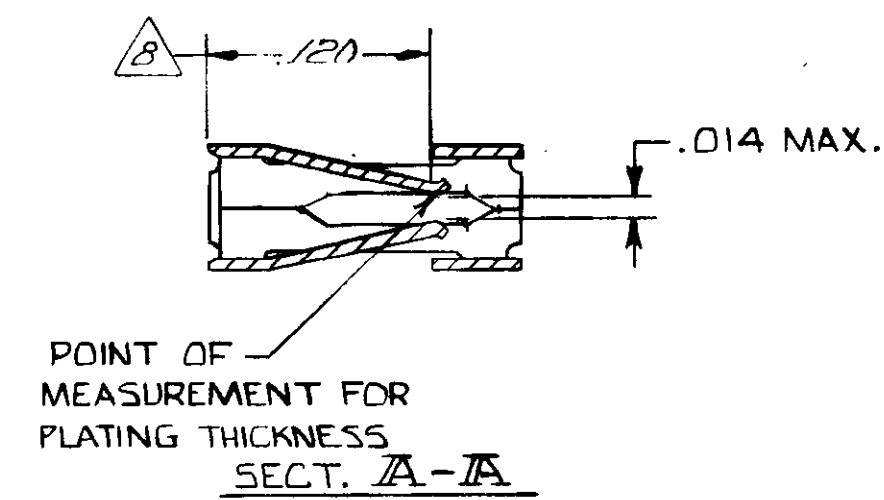


THIS DRAWING IS UNPUBLISHED. RELEASED FOR PUBLICATION
(C) COPYRIGHT ALL RIGHTS RESERVED.

| REVISIONS | | | | | | | |
|-----------|---|------|-----|---------------------------|-----------|-----|----------|
| P | F | ZONE | LTR | DESCRIPTION | DATE | DWN | APPROVED |
| | | | N | REVISED PER ECO-15-004633 | 30MAY2015 | NK | JO |



- 1 .00030 GOLD ON CONTACT AREA, GOLD FLASH ON REMAINDER, OVER .000050 NICKEL.
- 2 .00015 GOLD ON CONTACT AREA, GOLD FLASH ON THE REMAINDER, OVER .000050 NICKEL.
- 3 GOLD PLATING NOT REQUIRED IN THIS AREA.
- 4 .000100-.000200 BRIGHT TIN OVER .000030 NICKEL.
- 5 CUT OUTS ON BOX AT MANUFACTURER'S OPTION.
- 6 .000050 GOLD ON CONTACT AREA, GOLD FLASH ON THE REMAINDER, OVER .000050 NICKEL.
- 7 .000015 GOLD ON CONTACT AREA, .000050 NICKEL OVER THE ENTIRE TERMINAL
- 8 POINT OF MEASUREMENT FOR PLATING THICKNESS (INSIDE BEAMS)
- 9 OBSOLETE PART NUMBER.
- 10 SUPERSEDED BY 102917-2.
- 11 OBSOLETE PARTS: OBSOLETE CIS STREAMLINING PER D.RENAUD/D.SINISI



| | | |
|----------|-----------------------|-----------------------|
| OBSOLETE | 1-9-4 | 1-102917-3 |
| OBSOLETE | 1-102917-2 | 1-102917-1 |
| | 102917-6 | 102917-5 |
| OBSOLETE | 102917-4 | 102917-3 |
| | 102917-2 | 102917-1 |
| | LOOSE PIECE PART NO. | FINISH PART NO |

| | | | | | | |
|---|-------------------------------|-------|---|--------------|------------|-----|
| UNLESS OTHERWISE SPECIFIED DIMENSIONS ARE IN INCHES. TOLERANCES ON: DECIMALS ± .005 ANGLES | CONTRACT NO | | TE Connectivity | | | |
| | DR <i>R. A. Cook 3/15/82</i> | | | | | |
| MATERIAL CU-NI-SI | CHR <i>[Signature]</i> | | NAME CONTACT, FEMALE, MOD IV, CRIMP SNAP-IN | | | |
| | APPD <i>R. Chiles 3/25/82</i> | | | | | |
| FINISH SEE TABLE | APPD <i>[Signature]</i> | | SIZE | FSCM NO | DRAWING NO | REV |
| | DSGN APPD | | C | 00779 | 102917 | N |
| OTHER APPD | | SCALE | | SHEET 1 OF 1 | | |

102917

Mouser Electronics

Authorized Distributor

Click to View Pricing, Inventory, Delivery & Lifecycle Information:

[TE Connectivity:](#)

[102917-6](#)