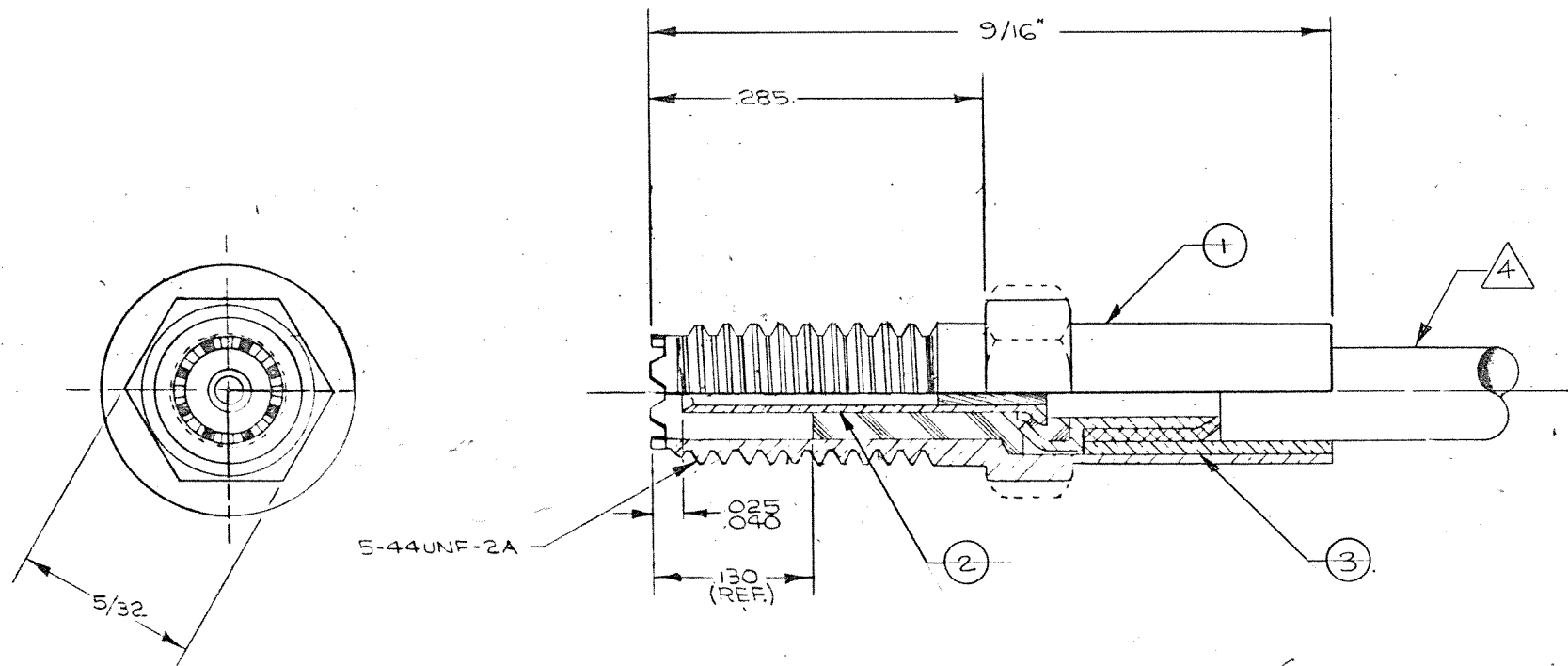


REVISIONS			
SYM	DESCRIPTION	DATE	APPROVED
A	RELEASED FOR PRODUCTION (NDR10638) EM	10/2/69	[Signature]
B	REV. LETTER UP-DATED ECO 16329	11/18/69	[Signature]
C	REV. LET. UPDATE ECO 20651 4416 2-23-76	2/23/76	[Signature]
D	UPDATE REV. LETTER (40359)	7/20/70	[Signature]



1-532006-7

NOTES: UNLESS OTHERWISE SPECIFIED
 1. THIS JACK ASSEMBLY MATES WITH ALL LEPRACON 142 INTERLOCKING INTERFACE PLUGS.
 2. SEE RF-ASMB-12 FOR CABLE ASSEMBLY INSTRUCTIONS.
 3. ALL METALLIC PARTS ARE GOLD PLATED PER MIL-G-45204 TYPE II, CLASS I.
 4. CABLE ACCEPTANCE DIMENSIONS:
 CENTER CONDUCTOR .012.
 DIELECTRIC .034.
 SHIELD .054.
 JACKET .075.

QTY. REQD.	PART NO.	NOMENCLATURE OR DESCRIPTION	MATERIAL & SPECIFICATION	ITEM NO.
1	014-0004-0002	CRIMP SLEEVE	LEADED COPPER FULL HARD OR O.F.H.C. 121 COPPER	3
1	014-1009-0001	SOCKET CONTACT SUBASSY		2
1	014-1085-0001	HOUSING SUBASSY, STR. JACK		1

LIST OF MATERIAL OR PARTS LIST

UNLESS OTHERWISE SPEC.	DRAWN	E. NINGURA	10-8-69
DIMENSIONS ARE IN INCHES	CHECK		
TOLERANCES	PR. ENG.	[Signature]	10/13/69
DECIMALS	CHF. ENG.		
FRACTIONS	MATERIAL	SEE TAB. BLOCK	
XX ±	SURFACE TREATMENT		
XXX ± .010			
XXXX ±			
ANGLES ±			
SURFACE ROUGHNESS			
NEXT ASSY. USED ON			
NEXT ASSY. TOP ASSY.			
APPLICATION			
QUANTITY REQD.			
DO NOT SCALE THIS DWG.			

MICRODOT INC.
 220 PASADENA AVE. SO. PASADENA, CALIF.
 STR. JACK ASSEMBLY WITH INTERLOCKING INTERFACE LEPRACON

Prod Code 946

CODE IDENT	SIZE	
98278	C	CD 141-0017-0001
SCALE	WEIGHT	90
		SHEET 1 of 1

Mouser Electronics

Authorized Distributor

Click to View Pricing, Inventory, Delivery & Lifecycle Information:

[TE Connectivity:](#)

[141-0017-0001](#)