

CONVERSION CHART	
INCH	MM
.002	0,05
.012	0,30
.022	0,56
.028	0,71
.039	0,99
.059	1,50
.079	2,00
.098	2,49
.100	2,54
.134	3,40
.138	3,51
.193	4,90
.217	5,51
.236	6,00
.295	7,50
.315	8,00
.374	9,50
.394	10,01
.709	18,01
.748	19,00
.866	22,00
.945	24,00
1.000	25,40

BCD COMPLEMENT CODE 137										
POS	0	1	2	3	4	5	6	7	8	9
C	x	x	x	x	x	x	x	x	x	x
1	x									
2	x	x								
4	x	x	x							
8	x	x	x	x	x	x	x	x	x	x

BCD CODE 131										
POS	0	1	2	3	4	5	6	7	8	9
C	x	x	x	x	x	x	x	x	x	x
1		x								
2			x							
4				x						
8					x					

DECIMAL CODE 111										
POS	0	1	2	3	4	5	6	7	8	9
C	x	x	x	x	x	x	x	x	x	x
0	x									
1		x								
2			x							
3				x						
4					x					
5						x				
6							x			
7								x		
8									x	
9										x

CHANGE OVER SWITCH CODE 400			
POS	C	A+	A-
+	x	x	
-	x		x
+	x	x	
-	x		x
+	x	x	
-	x		x
+	x	x	
-	x		x
+	x	x	
-	x		x

HEXADecimal CODE 301																
POS	0	1	2	3	4	5	6	7	8	9	A	B	C	D	E	F
C	x	x	x	x	x	x	x	x	x	x	x	x	x	x	x	x
1		x														
2			x													
4				x												
8					x											

MODEL NUMBER	CODE	DESCRIPTION	CHAR.
DPS8111AK	111	DECIMAL CODE (1 of 10)	0-9
DPS8131AK	131	1-2-4-8 BCD CODE	0-9
DPS8131AL	131	BCD, EXTENDED PCB FOR DIODES	0-9
DPS8137AK	137	BCD, COMPLEMENT CODE	0-9
DPS8137AL	137	BCD, COMPLEMENT, EXT. PCB FOR DIODE	0-9
DPS8400AK	400	SPDT, REPEATING READOUT, 10 POS.	+8-
DPS8131AKLS	131	BCD CODE, PC PINS AT REAR	0-9
DPS8131AKULS	131	BCD CODE, RIGHT ANGLE PC PINS	0-9
DPS8137AKLS	137	BCD COMPLEMENT CODE, PC PINS	0-9
DPS8137AKULS	137	BCD COMPLEMENT CODE, RIGHT ANGLE PC PINS	0-9
DPS8301AK	301	HEXIDECIMAL CODE (16 POS.)	0-9A-F
DPS8301AKLS	301	HEXIDECIMAL CODE (16 POS.) PC PINS	0-9A-F
DPS8301AKULS	301	HEXIDECIMAL CODE (16 POS.) RIGHT ANGLE PC PINS	0-9A-F
DPS8400AKLS	400	SPDT, 10 POS. REPEATING READOUT	+8-
DPS8400AKULS	400	SPDT, 10 POS. REPEATING READOUT RIGHT ANGLE PC PINS	+8-
MODEL NUMBER	CODE	DESCRIPTION	CHAR.

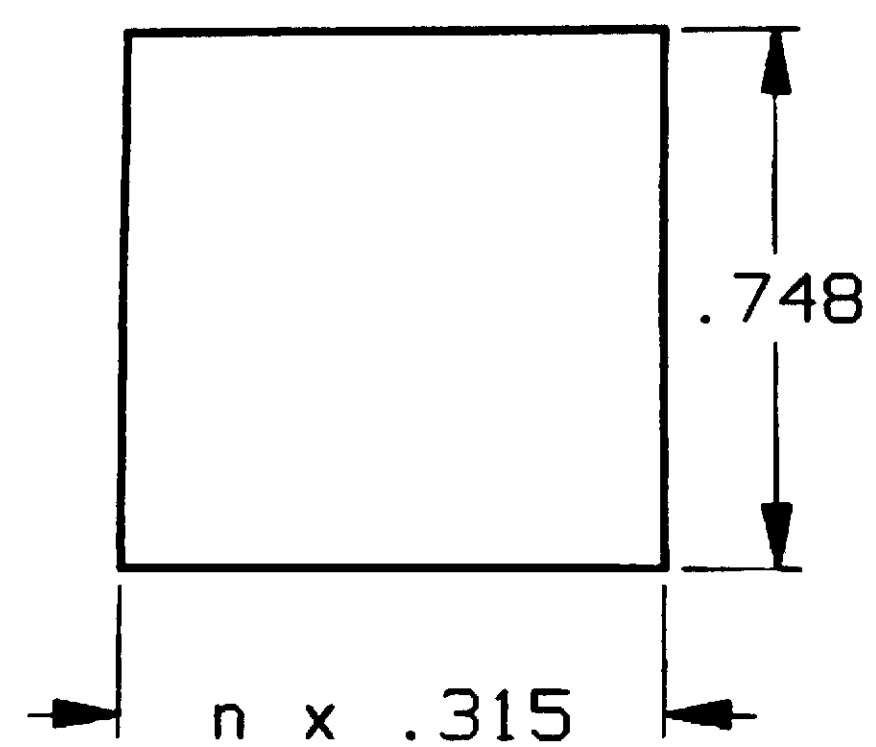
SPECIFICATIONS:

- MATERIALS:**
CASE: PPO, BLACK MATTE FINISH.
ACTUATOR BUTTONS: PPO, BLACK MATTE FINISH.
WINDOW: THERMOPLASTIC RESIN.
PCB: GLASS EPOXY TYPE, FR4
MOVING CONTACT: COPPER ALLOY, GOLD PLATE OVER NICKEL.
FIXED CONTACT: COPPER, GOLD PLATE OVER NICKEL.
TERMINALS: COPPER, GOLD PLATE OVER NICKEL.
- ELECTRICAL:**
CONTACT RATING: 0.4 VA @ 20 VDC OR PEAK AC.
INITIAL CONTACT RESISTANCE: 0.15 OHMS MAX.
LIFE EXPECTANCY: MORE THAN 10⁶ OPERATIONS
- MECHANICAL:**
ACTUATION FORCE: APPROX. 14 oz. (4 N)
- ENVIRONMENTAL:**
OPERATING TEMPERATURE: -4°F TO +176°F (-20°C TO +80°C)

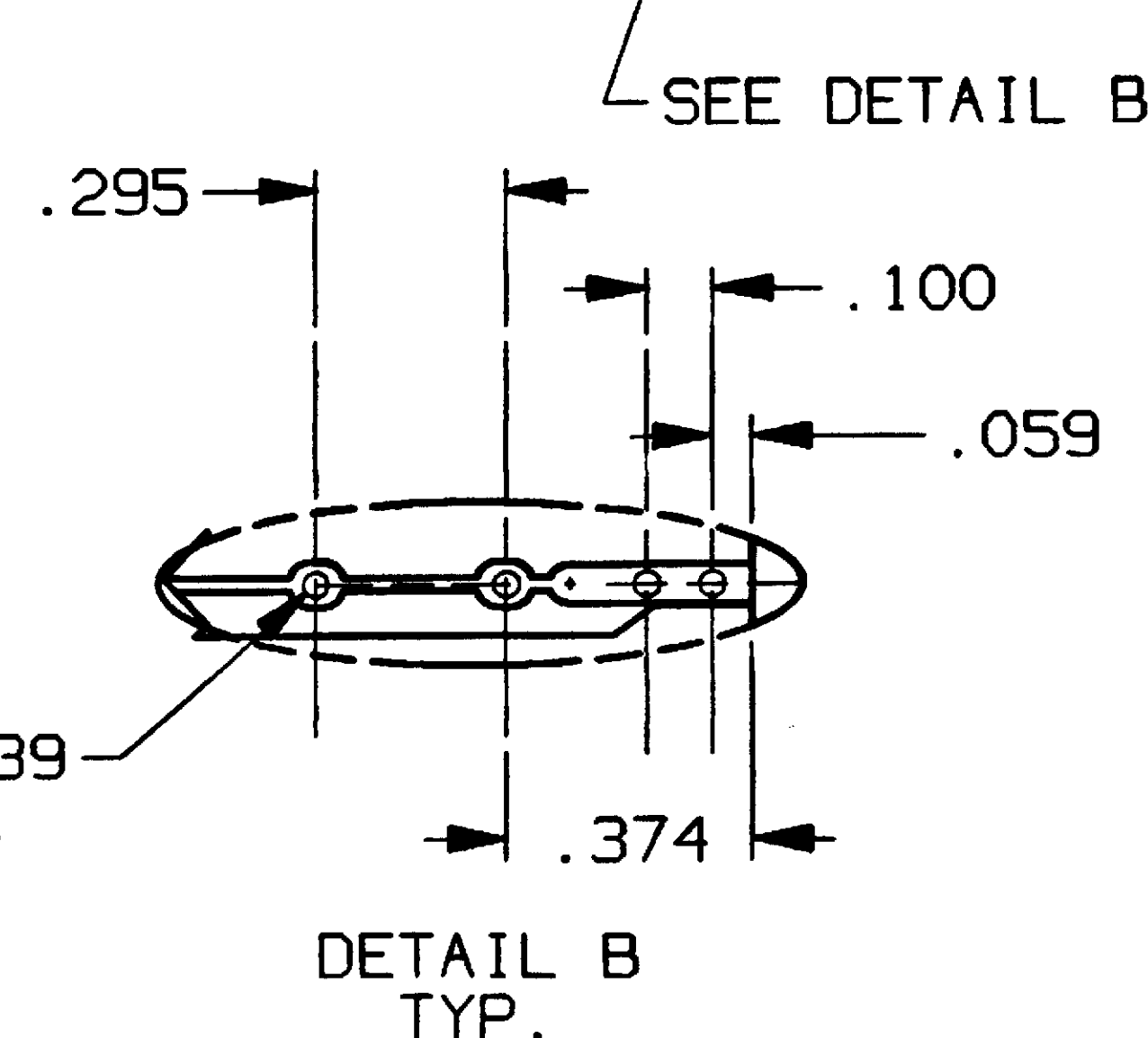
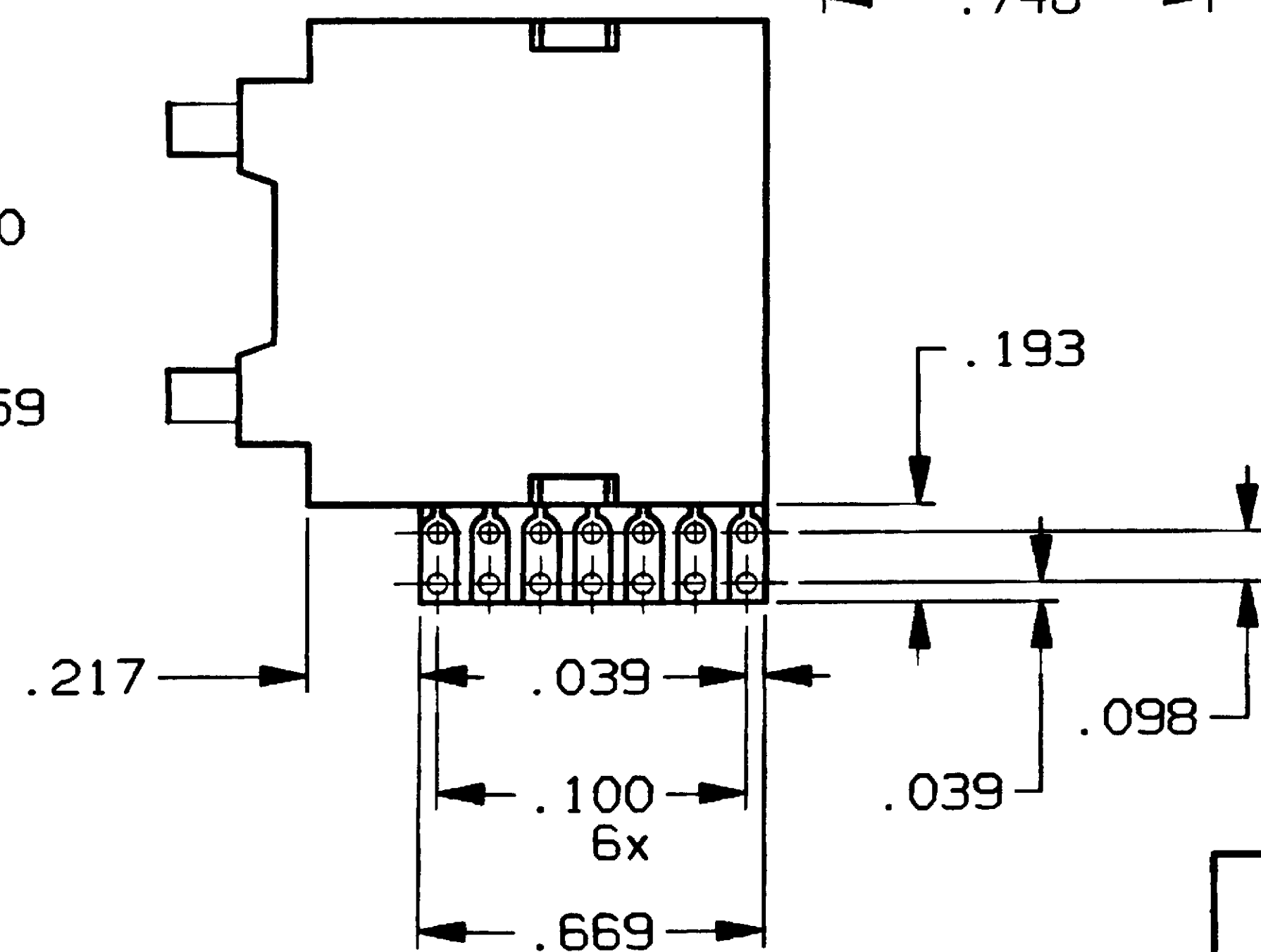
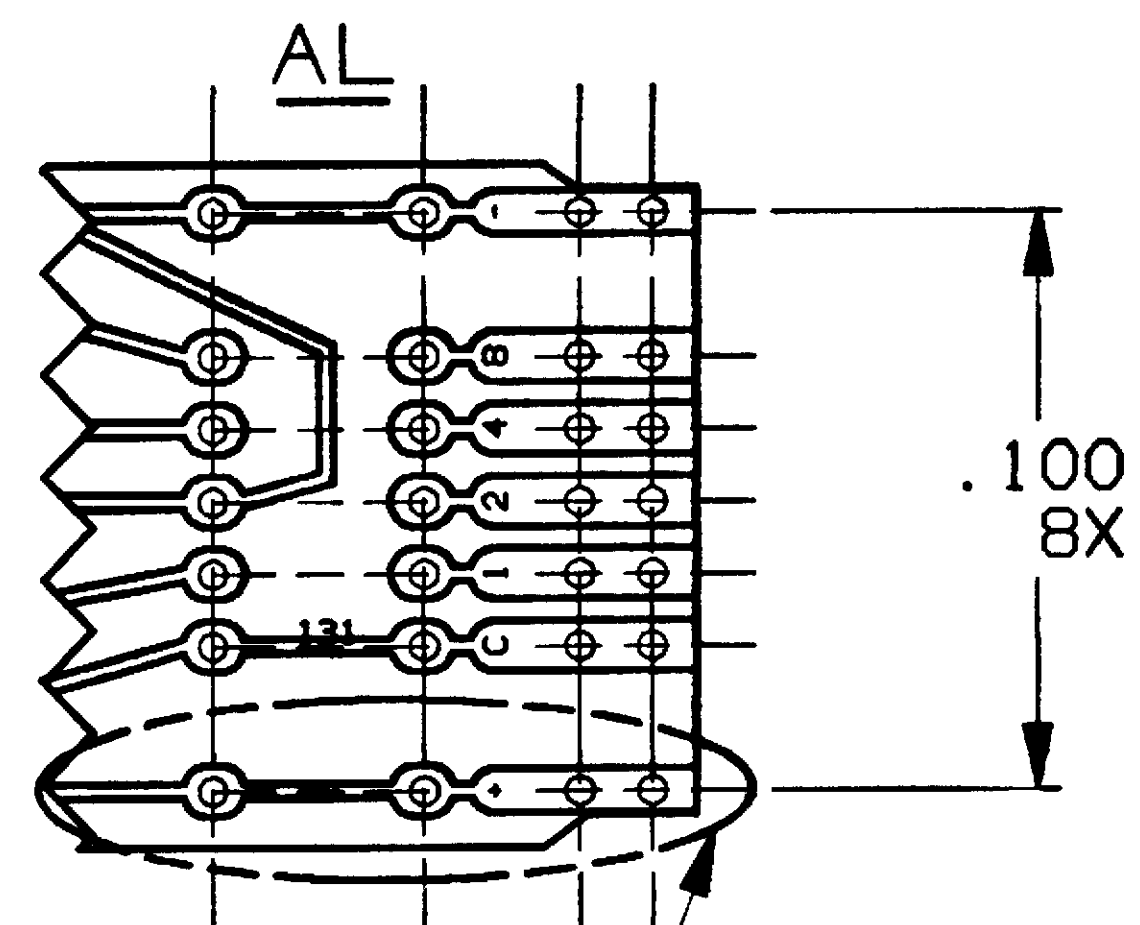
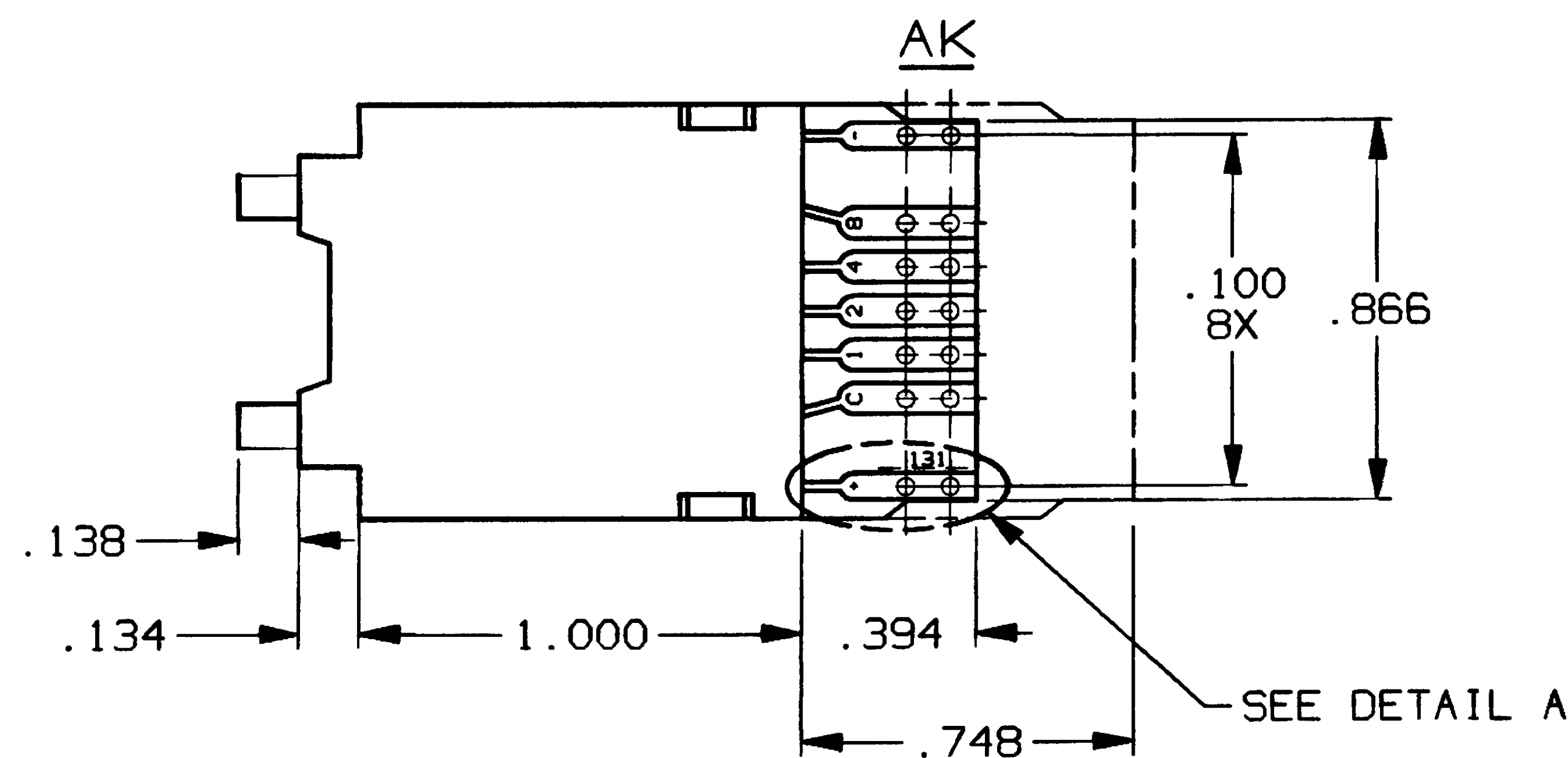
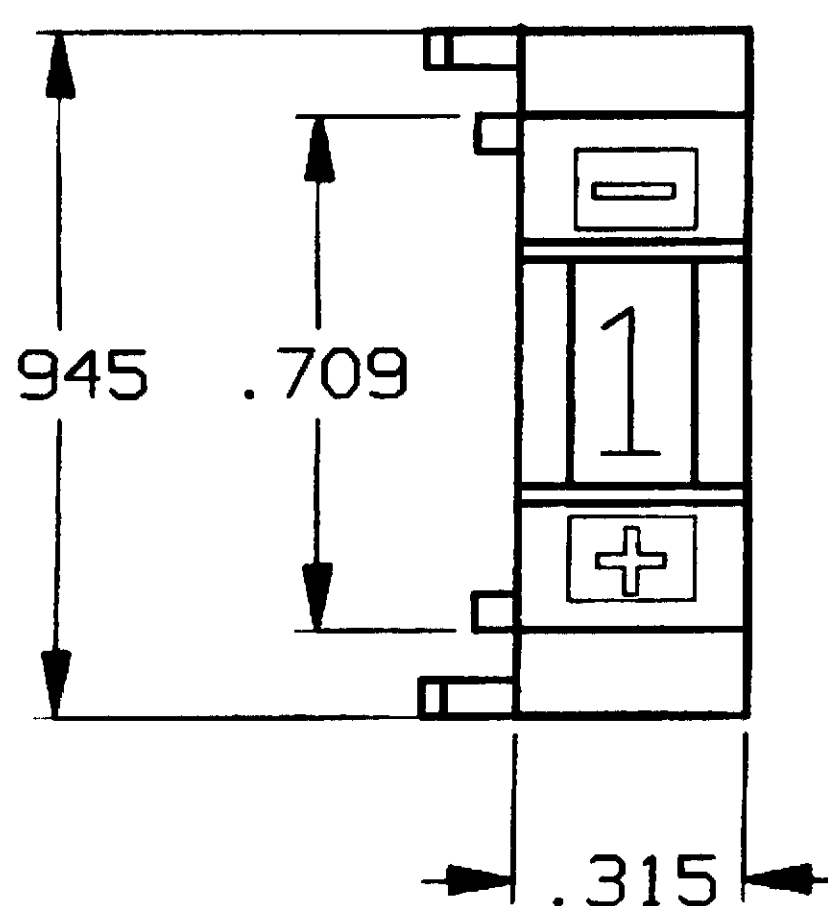
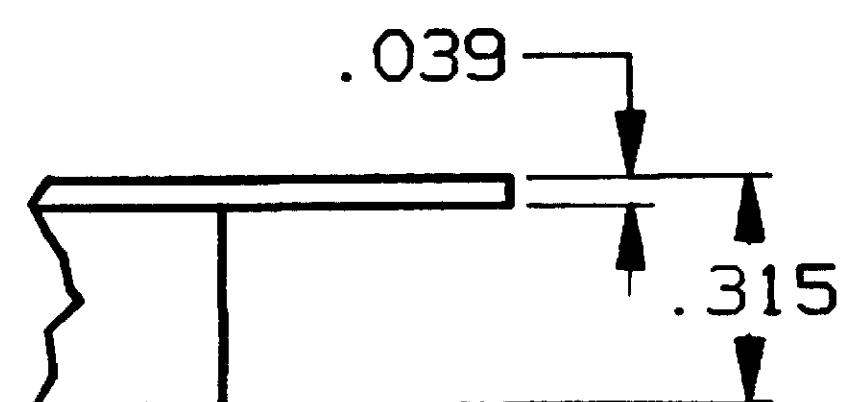
NOTES:

- INTERPRET DRAWING PER ASME Y14.5M-1994.
- ASSEMBLED PARTS TO BE PACKAGED FOR SHIPMENT IN ITEMS ANTISTATIC TREATED TO MEET THE REQUIREMENTS OF AUGAT SPECIFICATION NO. SPEC 224.
- CHARACTER COLOR: WHITE ON BLACK BACKGROUND. CHARACTER HEIGHT: 10/16 DIGIT, .193/.134.

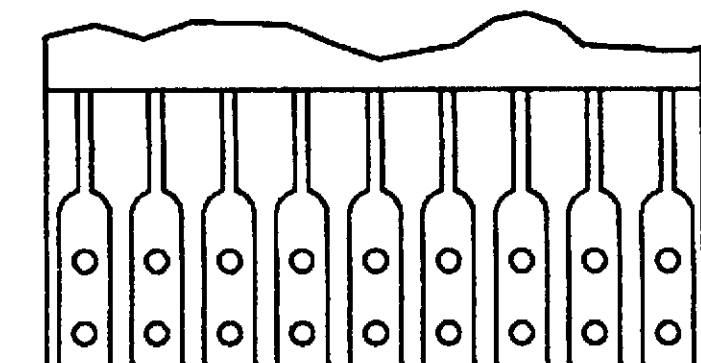
⚠ OBSOLETE



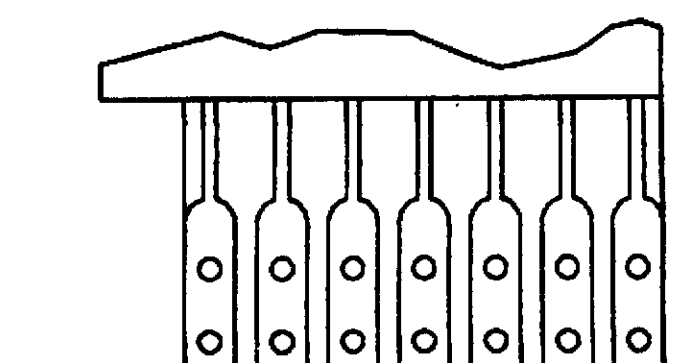
n=NUMBER OF SWITCHES WITHOUT END PLATES
RECOMMENDED HOLE LAYOUT
TOLERANCE ±.002 UNLESS OTHERWISE NOTED



MARKING DETAIL



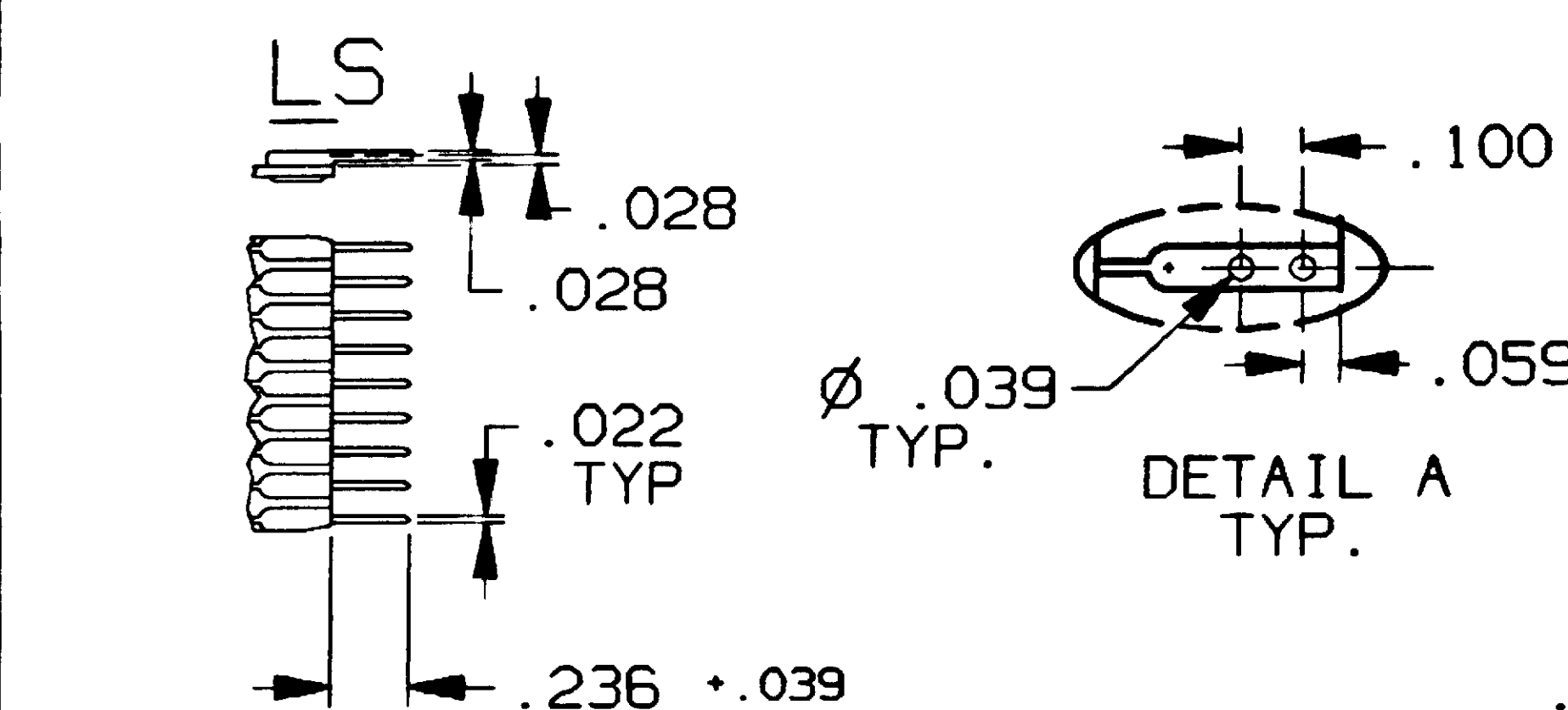
MARKING DETAIL



131+	C	1	2	4	8	-				
137+	C	1	2	4	8	-				
301+	1	2	C	8	4	-				
400+	C	A	A							
111	0	1	2	3	4	5	6	7	8	9

PITCH .079

131	C	1	2	4	8
137	C	1	2	4	8
301	C	1	2	4	8
400	C		+	-	



SOLDER PINS FOR PRINTED CIRCUITS (ORDER DESCRIPTION LS)

OUTLINE DRAWING			
SPECIFICATIONS ARE SUBJECT TO CHANGES WITHOUT NOTICE			
 THIRD ANGLE PROJECTION	UNLESS OTHERWISE SPECIFIED DIMENSIONS ARE IN INCHES DO NOT SCALE PRINT		ORIGINAL DATE OF DRAWING: 3/25/81
	FILE NAME: 800230UT	DIRECTORY: CODSWTCH	DRAWN: V. J. MARTIN
TOLERANCES (EXCEPT AS NOTED)		DATE: 3/25/81	
ANGULAR = ±1/2°		CHECKED: B. BUCKHEIT	
DECIMAL .XX =		DATE: 3/26/81	
DECIMAL .XXX = ±.012		APPROVED: D. SARKISIAN	
DECIMAL .XXXX =		DATE: 1/7/93	
SEE SPECIFICATIONS ABOVE		CODE IDENT. NO.	DWG. SIZE
FINISH:		91506	C
SEE SPECIFICATIONS ABOVE		NEXT ASSY:	

TE TE Connectivity

TITLE: **OUTLINE DRAWING**
CODE SWITCH
DUAL PUSHBUTTON
DPS-8 SERIES

DWG. NO. **C-1-1437603-1** REV. B

PRODUCT CODE: H13
SCALE: 2/1 SHEET 1 OF 1

B	REVISED PER ECO-14-002228	15MAY2014	NK	RH
REV	DESCRIPTION	DATE	DWN	APR

Mouser Electronics

Authorized Distributor

Click to View Pricing, Inventory, Delivery & Lifecycle Information:

[TE Connectivity:](#)

[2-1437603-3](#)