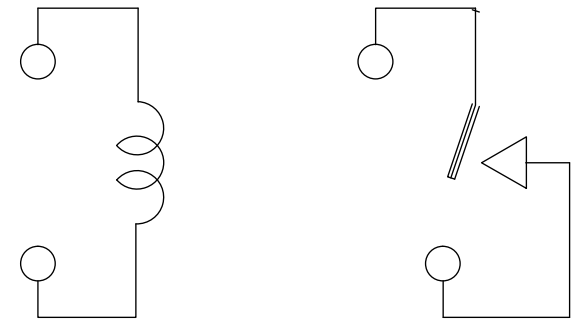
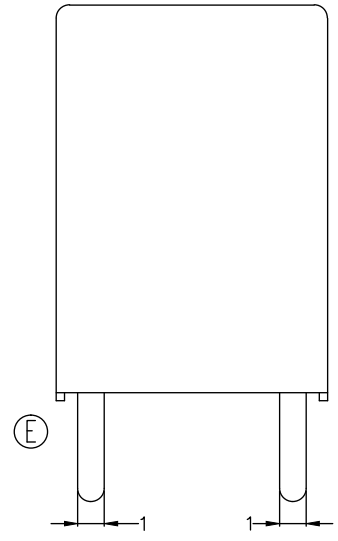
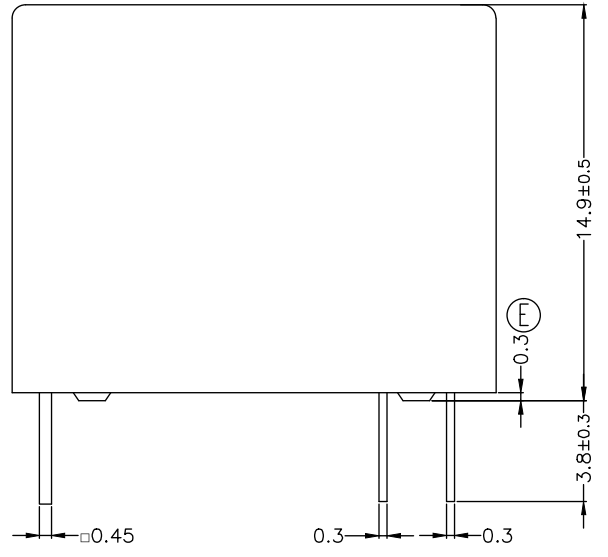


THIS DRAWING IS UNPUBLISHED. RELEASED FOR PUBLICATION
 © COPYRIGHT - By - TE CONNECTIVITY ALL RIGHTS RESERVED.

| LOC | DIST | REVISIONS | | | | |
|-----|------|-------------|---|-----------|------|-----|
| P | LTR | DESCRIPTION | DATE | DWN | APVD | |
| HB | - | D1 | UPDATE DRAWING VERSIONS ECO-14-006563 | 17Jul2014 | HYS | B.F |
| | | E | REMOVED THE RIB ON BASE TO CASE ECO-15-011310 | 29Sep2015 | HYS | CSM |

TE
 T77V1D10-12-02
 10A 120V~
 10A 30V Res.
 P&B CHINA
 LOT No



CONNECTION FIGURE

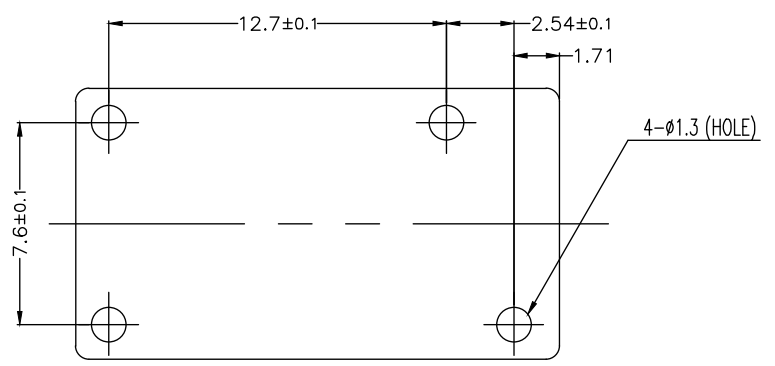
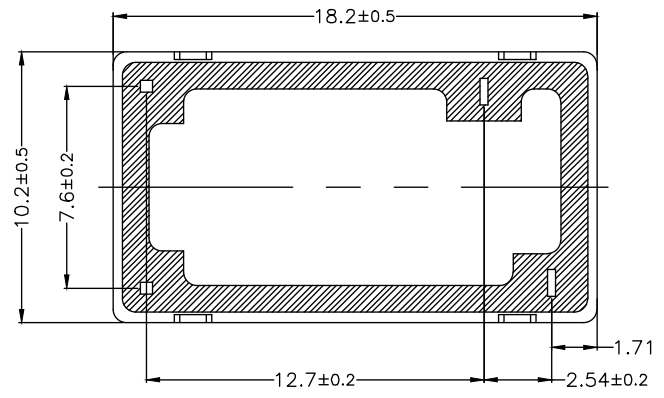


FIGURE FOR PRINTED CIRCUIT BOARD PROCESSING (BOTTOM VIEW)



| | | | | | | | | |
|--|--|------------------|----------------|---|------------------------------|-----------|-------------|---------------|
| THIS DRAWING IS A CONTROLLED DOCUMENT. | | DWN | Fu Bo | - | TE TE Connectivity | | | |
| DIMENSIONS: mm | | CHK | Xiaoning.Zhang | - | | | | |
| TOLERANCES UNLESS OTHERWISE SPECIFIED: | | APVD | CH.HSU | - | NAME | | | |
| 0 PLC ± - | | PRODUCT SPEC | - | - | T77*1D10-** CUSTOMER DRAWING | | | |
| 1 PLC ± - | | APPLICATION SPEC | - | - | SIZE | CAGE CODE | DRAWING NO | RESTRICTED TO |
| 2 PLC ± - | | | | | A3 | 00779 | 1-1393194-9 | - |
| 3 PLC ± - | | | | | CUSTOMER DRAWING | | | SCALE |
| 4 PLC ± - | | | | | | | | 5:1 |
| ANGLES ± - | | WEIGHT | - | - | SHEET | | | 1 OF 2 |
| FINISH | | | | | REV | | | E |

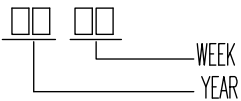
THIS DRAWING IS UNPUBLISHED. RELEASED FOR PUBLICATION - .- .
 © COPYRIGHT - By - TE CONNECTIVITY ALL RIGHTS RESERVED.

| | | | | | | | |
|-----|------|-----------|-----|-------------|------|-----|------|
| LOC | DIST | REVISIONS | | | | | |
| HB | - | P | LTR | DESCRIPTION | DATE | DWN | APVD |
| | | - | | SEE SHEET 1 | - | - | - |

| | | | | | |
|---------------|-------------|----------------|----------------|------|---|
| 107-79010 | 3-1393194-8 | T77V1D10-24-01 | T77V1D10-24-01 | q | Ⓢ |
| 107-79010 | 2-1393194-2 | T77V1D10-48 | T77V1D10-48 | p | |
| 107-79010 | 2-1393194-1 | T77V1D10-24 | T77V1D10-24 | o | |
| 107-79010 | 2-1393194-0 | T77V1D10-18 | T77V1D10-18 | n | |
| 107-79010 | 1-1393194-9 | T77V1D10-12 | T77V1D10-12 | m | |
| 107-79010 | 1440005-1 | T77V1D10-09 | T77V1D10-09 | l | |
| 107-79010 | 8-1440009-1 | T77V1D10-06 | T77V1D10-06 | k | Ⓢ |
| 107-79010 | 1-1393194-8 | T77V1D10-05 | T77V1D10-05 | j | |
| 107-79010 | 1-1393194-7 | T77V1D10-03 | T77V1D10-03 | i | Ⓢ |
| 107-79010 | 9-1440004-7 | T77S1D10-48 | T77S1D10-48 | h | Ⓢ |
| 107-79010 | 1-1393194-0 | T77S1D10-24 | T77S1D10-24 | g | |
| 107-79010 | 9-1440004-5 | T77S1D10-18 | T77S1D10-18 | f | Ⓢ |
| 107-79010 | 1393194-9 | T7S1D10-12 | T7S1D10-12 | e | |
| 107-79010 | 1393194-8 | T77S1D10-09 | T77S1D10-09 | d | Ⓢ |
| 107-79010 | 9-1440004-2 | T77S1D10-06 | T77S1D10-06 | c | Ⓢ |
| 107-79010 | 1393194-7 | T77S1D10-05 | T77S1D10-05 | b | Ⓢ |
| 107-79010 | 1393194-6 | T77S1D10-03 | T77S1D10-03 | a | Ⓢ |
| PACKAGE SPEC. | PART NO | DESCRIPTION | PART A | TYPE | |

RELAY TYPE

NOTE
1.LOT NO SYSTEM AS FOLLOWING:



- Ⓢ 2.TERMINAL DIMENSION IS BEFORE SOLDER DIP;
- Ⓢ 3.FOR THE TIN-PLATING OF THE PINS:
+0.1mm FOR WIDTH,THICKENSS AND DIAMETER.
+0.5mm FOR LENGTH.

ⓈⓈ 4.MARKING FROM INK TO LASER AND USING WELDED CONTACT

Ⓢ 5.ADD LOT NO. SYSTEM AS FOLLOWING;



- I, DIGITS FOR DAY OF THE WEEK
1...MONDAY IN THIS WEEK;
2...TUESDAY IN THIS WEEK;
.....
7...SUNDAY IN THIS WEEK
- II, DIGITS FOR SHIFT OF THE DAY
1...DAY SHIFT IN THIS DAY;
2...NIGHT SHIFT IN THIS DAY;
- III, ONE CHARACTER DISTINGUISH THE LINE IDENTITY, SUCH AS: A,B,....Z

| | | | | |
|------------------|------------|-------------|----------------------|------|
| | | EPOXY RESIN | SEAL (BASE & BOBBIN) | 15 |
| | | MM79 | MAGNETIC WIRE | 14 |
| 94V-0 | | P.B.T | CASE | 13 |
| 94V-0 | | P.B.T | BASE | 12 |
| 94VHB | | P.B.T | BOBBIN | 11 |
| | SOLDER DIP | C.P WIRE | COIL TERMINAL | 10 |
| 94V-0 | | P.P.S | CARD | 9 |
| | | Ag ALLOY | MOVABLE CONTACT | 8 |
| | | Ag | NO.CONTACT | 7 |
| | | STEEL | HINGE SPRING | 6 |
| | SOLDER DIP | CU ALLOY | NO.TERMINAL | 5 |
| | SOLDER DIP | CU ALLOY | MOVABLE SPRING | 4 |
| | NIP | STEEL | CORE | 3 |
| | NIP | STEEL | ARMATURE | 2 |
| | NIP | STEEL | YOKE | 1 |
| INCOMBUSTIBILITY | TREATMENT | MATERIAL | DESCRIPTION | ITEM |

| | | | | |
|--|--------|---|----------------|---|
| THIS DRAWING IS A CONTROLLED DOCUMENT. | | DWN | Fu Bo | - |
| DIMENSIONS: mm | | CHK | Xiaoning.Zhang | - |
| TOLERANCES UNLESS OTHERWISE SPECIFIED: | | APVD | CH.HSU | - |
| | 0 PLC | ± | - | |
| | 1 PLC | ± | - | |
| | 2 PLC | ± | - | |
| | 3 PLC | ± | - | |
| | 4 PLC | ± | - | |
| | ANGLES | ± | - | |
| MATERIAL | FINISH | WEIGHT | - | |
| | | TE Connectivity NAME: T77*1D10-** CUSTOMER DRAWING SIZE: A3 CAGE CODE: 00779 DRAWING NO: 1-1393194-9 RESTRICTED TO: - CUSTOMER DRAWING SCALE: 5:1 SHEET: 2 OF 2 REV: E | | |

Mouser Electronics

Authorized Distributor

Click to View Pricing, Inventory, Delivery & Lifecycle Information:

[TE Connectivity:](#)

[T77V1D10-05](#)