

THIS DRAWING IS UNPUBLISHED.

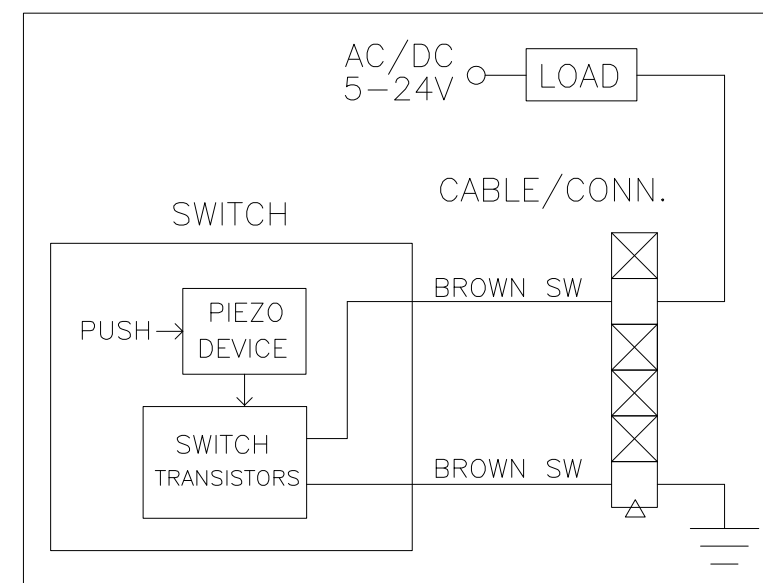
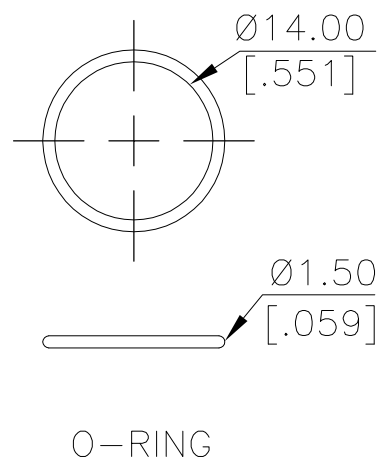
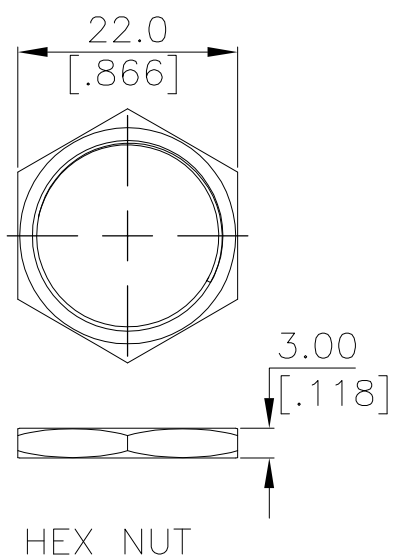
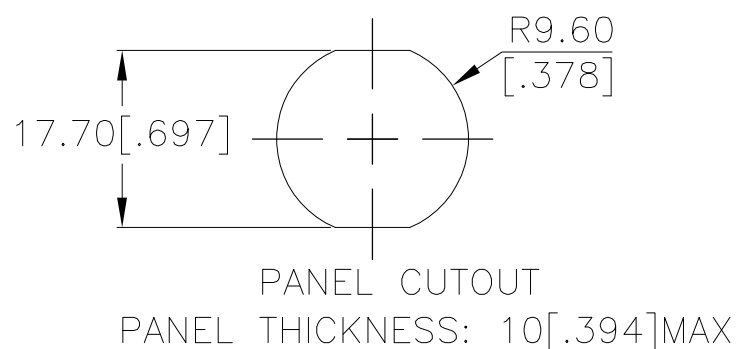
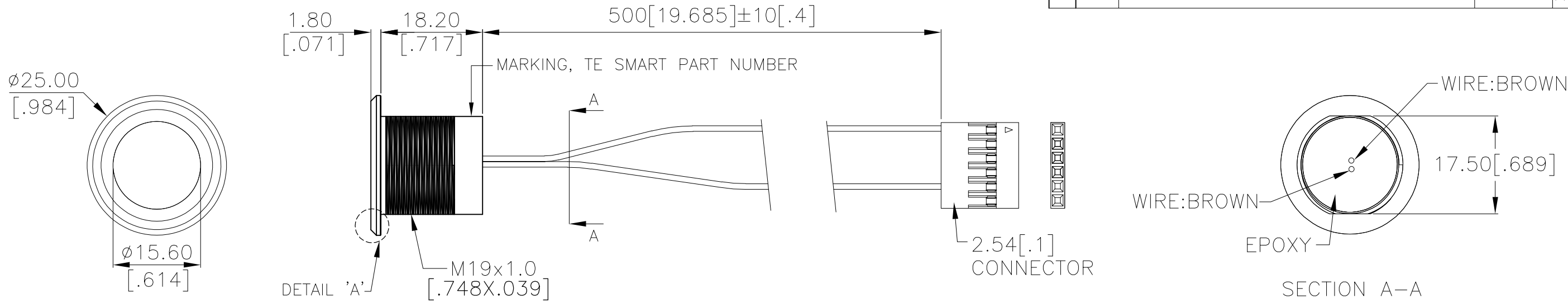
RELEASED FOR PUBLICATION

ALL RIGHTS RESERVED.

© COPYRIGHT - TE Connectivity Ltd.

REVISIONS

P	LTR	DESCRIPTION	DATE	DWN	APVD
3		DRAWING UPDATED	20DEC2018	RSM	AS



APPLICATION DIAGRAM

**PRELIMINARY**

THIS DRAWING IS A CONTROLLED DOCUMENT.		DWN	GANESH C M		29SEP2018
DIMENSIONS: mm [INCHES]		CHK	ALEXANDER SHARPE		29SEP2018
TOLERANCES UNLESS OTHERWISE SPECIFIED:		APVD	ALEXANDER SHARPE		29SEP2018
<ul style="list-style-type: none"> <li>0 PLC ± -</li> <li>1 PLC ± 0.4 [.016]</li> <li>2 PLC ± 0.25 [.010]</li> <li>3 PLC ± -</li> <li>4 PLC ± -</li> <li>ANGLES ± -</li> <li>FINISH -</li> </ul>		PRODUCT SPEC	NAME		
MATERIAL		APPLICATION SPEC	SWITCH,AV,PIEZO,19mm,CONCAVE BTN, NO LED,LEADED W/ 1x6 REC		
-		WEIGHT	SIZE	CAGE CODE	DRAWING NO
-		CUSTOMER DRAWING	A3	00779	C=2342841
		SCALE	NTS	SHEET	1 OF 2
		RESTRICTED TO			REV 3

THIS DRAWING IS UNPUBLISHED.

RELEASED FOR PUBLICATION

REVISIONS

© NOTES: TE Connectivity Ltd.

ALL RIGHTS RESERVED.

P	LTR	DESCRIPTION	DATE	DWN	APVD
	-	SEE SHEET 1	-	-	-

NOTES:

1. SPECIFICATIONS:

- 1. OPERATING LIFE: 50 MILLION CYCLES MIN.
- 2. ACTUATION FORCE: 2 N – 5 N [0.45 LBF – 1.12 LBF]
- 3. RATING: 5–24 VDC@1A MAX., 5–24 VAC@1A MAX.
- 4. CONTACT RESISTANCE: 1Ω MAX.
- 5. TYPE: MOMENTARY PULSE, 200ms MIN.
- 6. OUTPUT MODE: TRANSISTOR
- 7. OPERATING TEMPERATURE: –20° TO 65°C [–4° TO 149°F]
- 8. STORAGE TEMPERATURE: –40° TO 85°C [–40° TO 185°F]
- 9. INGRESS PROTECTION: IP68, PANEL SIDE
- 10. MOUNTING TORQUE: 2.5Nm MAXIMUM

2. MATERIAL:

- 1. SEALING: SILICONE, EPOXY
- 2. O-RING: SILICONE
- 3. HEX NUT: NICKEL PLATED BRASS
- 4. WIRE: UL3385, UL10368 OR EQUIVALENT
- 5. BUSHING: SEE TABLE

3. PACKAGING:


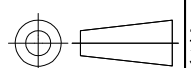
SWITCH ASSEMBLIES ARE INDIVIDUALLY BUNDLED WITH ESD PROTECTION. HARDWARE IS NOT ASSEMBLED TO THE SWITCH.

4. COMPLIANCE:

THE CURRENT STATEMENT OF COMPLIANCE IS AVAILABLE AT TE.COM.

5. HARDWARE IS SHIPPED UNASSEMBLED.

STAINLESS STEEL 316	NO LED	MOMENTARY	AVP19MS16C000T5A04	2342841–4
STAINLESS STEEL 304	NO LED	MOMENTARY	AVP19MS04C000T5A04	2342841–3
ALUMINUM, BLACK ANODIZED	NO LED	MOMENTARY	AVP19MAIBC000T5A04	2342841–2
ALUMINUM	NO LED	MOMENTARY	AVP19MAIOC000T5A04	2342841–1
BUSHING MATERIAL	LED COLOR	CONTACT CONFIGURATION	TE SMART PART NUMBER	PART NUMBER

THIS DRAWING IS A CONTROLLED DOCUMENT.		DWN GANESH C M 29SEP2018	 TE Connectivity Ltd.		
DIMENSIONS: mm [INCHES]		CHK ALEXANDER SHARPE 29SEP2018			
		APVD ALEXANDER SHARPE 29SEP2018	PRODUCT SPEC —		
TOLERANCES UNLESS OTHERWISE SPECIFIED:		APPLICATION SPEC —	RESTRICTED TO —		
0 PLC ± - 1 PLC ± 0.4[.016] 2 PLC ± 0.25[.010] 3 PLC ± - 4 PLC ± - ANGLES ± -		WEIGHT —	SIZE A3	CAGE CODE 00779	DRAWING NO C-2342841
MATERIAL -		FINISH -	CUSTOMER DRAWING		
		SCALE NTS	SHEET 2 OF 2	REV 3	

**PRELIMINARY**

# Mouser Electronics

Authorized Distributor

Click to View Pricing, Inventory, Delivery & Lifecycle Information:

[TE Connectivity:](#)

[AVP19MS16C000T5A04](#)