

TL-301 ✓ ACTIVE

KISSLING

TE Internal #: K1150115

Rotary Switches, 12 Position, Short Handle Selector Actuator Style,  
2 Decks, Rotary, 12 Switch, Thermoplastic, Sealed Device

[View on TE.com >](#)



Switches > Rotary Switches



Number of Positions: 12

Actuator Style: **Short Handle Selector**

Number of Decks: 2

Rotary Switch Type: **Rotary**

Number of Switches: 12

## Features

### Product Type Features

Actuator Style	Short Handle Selector
Rotary Switch Type	Rotary
Sealed Device	Yes

### Configuration Features

Number of Positions	12
Number of Decks	2
Number of Switches	12

### Electrical Characteristics

Contact Current Rating	8 A
Operating Voltage	24 VDC

### Body Features

Case Material	Thermoplastic
---------------	---------------

### Contact Features

Switch Contact Plating Material	Gold
---------------------------------	------



Contact Base Material

Silver Alloy

**Mechanical Attachment**

Product Mount Type

Panel

**Product Compliance**

[For compliance documentation, visit the product page on TE.com>](#)

EU RoHS Directive 2011/65/EU

Not Yet Reviewed

EU ELV Directive 2000/53/EC

Not Yet Reviewed

China RoHS 2 Directive MIIT Order No 32, 2016

Not reviewed for China RoHS compliance

EU REACH Regulation (EC) No. 1907/2006

Current ECHA Candidate List: JAN 2024 (240)  
Not Yet Reviewed

Halogen Content

Not Yet Reviewed for halogen content

Solder Process Capability

Not reviewed for solder process capability

**Product Compliance Disclaimer**

This information is provided based on reasonable inquiry of our suppliers and represents our current actual knowledge based on the information they provided. This information is subject to change. The part numbers that TE has identified as EU RoHS compliant have a maximum concentration of 0.1% by weight in homogenous materials for lead, hexavalent chromium, mercury, PBB, PBDE, DBP, BBP, DEHP, DIBP, and 0.01% for cadmium, or qualify for an exemption to these limits as defined in the Annexes of Directive 2011/65/EU (RoHS2). Finished electrical and electronic equipment products will be CE marked as required by Directive 2011/65/EU. Components may not be CE marked. Additionally, the part numbers that TE has identified as EU ELV compliant have a maximum concentration of 0.1% by weight in homogenous materials for lead, hexavalent chromium, and mercury, and 0.01% for cadmium, or qualify for an exemption to these limits as defined in the Annexes of Directive 2000/53/EC (ELV). Regarding the REACH Regulations, TE's information on SVHC in articles for this part number is still based on the European Chemical Agency (ECHA) 'Guidance on requirements for substances in articles' (Version: 2, April 2011), applying the 0.1% weight on weight concentration threshold at the finished product level. TE is aware of the European Court of Justice ruling of September 10th, 2015 also known as O5A (Once An Article Always An Article) stating that, in case of 'complex object', the threshold for a SVHC must be applied to both the product as a whole and simultaneously to each of the articles forming part of its composition. TE has evaluated this ruling based on the new ECHA "Guidance on requirements for substances in articles" (June 2017, version 4.0) and will be updating its statements accordingly.

**Compatible Parts**



TE Part # CAT-AL4-SBD352001  
Battery Disconnect, 200A, 1 Pole



TE Part # CAT-AL4-SBD355001  
Battery Disconnect, 500A, 1 Pole



TE Part # CAT-AL4-SBD355002  
Battery Disconnect, 500A, 2 Pole



TE Part # CAT-AL4-BDSA  
Battery Disconnect Switch Accessories



TE Part # CAT-AL4-SBD352002  
Battery Disconnecter, 200A, 2 Pole




TE Part # K1123794  
Batt. Disconnecter 35-313-141-R-A50-900



TE Part # CAT-AL4-SBD354001  
Battery Disconnecter, 400A, 1 Pole



TE Part # CAT-AL8-KSDRSS  
Rotary Switch, Socket, Short Handle Selector, Sealed



TE Part # CAT-AL8-KSDRSC  
Rotary Switch, Center Thread, Short Handle Selector, Sealed




TE Part # K1154986  
Battery Signal Switch 35-0010-B00-R



TE Part # K1161486  
Rotary Switch DS-111-BL2

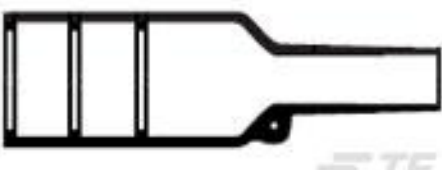


TE Part # K1163989  
Rotary Switch DS-143-BL12 906

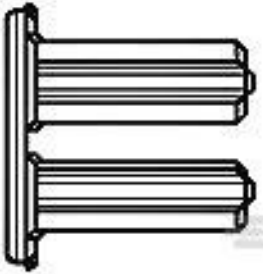


TE Part # K1134271  
Battery Disconnecter 35-521-120-R


### Customers Also Bought



TE Part #878497-000  
202K153-25-0



TE Part #967633-1  
2. KONT-SICHERUNG 15P



TE Part #820094-000  
562A043-25-0



TE Part #1-967628-4  
FLACHSTE-GEH2,8 15P



TE Part #F670223001  
RAY-90-10.0(100)



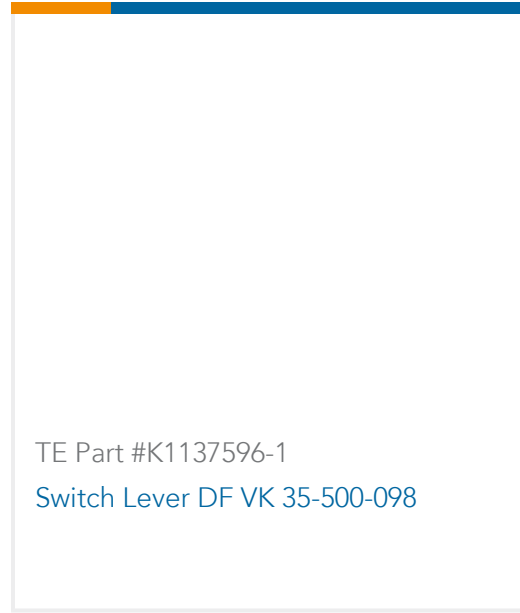
TE Part #K1006116  
Relay 26-25-11



TE Part #K1060837  
Relay-ECS 26-60-93-908



TE Part #K1136825  
Limit switch G12-231-E



## Documents

### Product Drawings

[Camolight-Switch Drehschalter TL-301](#)

German

### CAD Files

#### 3D PDF

3D

#### Customer View Model

[ENG\\_CVM\\_CVM\\_K1150115\\_1.2d\\_dxf.zip](#)

English

#### Customer View Model

[ENG\\_CVM\\_CVM\\_K1150115\\_1.3d\\_igs.zip](#)

English

#### Customer View Model

[ENG\\_CVM\\_CVM\\_K1150115\\_1.3d\\_stp.zip](#)

English

By downloading the CAD file I accept and agree to the [Terms and Conditions](#) of use.

### Datasheets & Catalog Pages

[KISSLING ROTARY SWITCH Series DS](#)

English

# Mouser Electronics

Authorized Distributor

Click to View Pricing, Inventory, Delivery & Lifecycle Information:

[TE Connectivity:](#)

[K1150115](#)