



Terminals & Splices > Splices



Wire Size: .5 – .14 mm<sup>2</sup>

Sealable: **Yes**

Contact Base Material: **Copper Alloy**

Primary Product Color: **Red**

## Features

### Product Type Features

Sealable	Yes
----------	-----

### Configuration Features

Splice Configuration	Single to Single
----------------------	------------------

### Body Features

Product Weight	8.42 g
Primary Product Color	Red

### Contact Features

Contact Base Material	Copper Alloy
Barrel Type	Closed

### Termination Features

Termination Method to Wire & Cable	Crimp, Solder
------------------------------------	---------------

### Dimensions

Wire Size	.5 – .14 mm <sup>2</sup>
Product Length	105.92 mm[4.17 in]

### Usage Conditions

Insulation Option	Fully Insulated
Operating Temperature Range	-55 – 150 °C[-67 – 302 °F]

### Industry Standards



Government Qualified Splice	No
-----------------------------	----

### Packaging Features

Packaging Quantity	10
Packaging Method	Package

### Product Compliance

[For compliance documentation, visit the product page on TE.com>](#)

EU RoHS Directive 2011/65/EU	Not Compliant
EU ELV Directive 2000/53/EC	Not Compliant
China RoHS 2 Directive MIIT Order No 32, 2016	Restricted Materials Above Threshold
EU REACH Regulation (EC) No. 1907/2006	Current ECHA Candidate List: JAN 2024 (240) Candidate List Declared Against: JAN 2024 (240) SVHC > Threshold: Pb (37% in Solder) <b>Article Safe Usage Statements:</b> Do not eat, drink or smoke when using this product. Wash thoroughly after handling. Recycle if possible and dispose of the article by following all applicable governmental regulations relevant to your geographic location.
Halogen Content	Low Bromine/Chlorine - Br and Cl < 900 ppm per homogenous material. Also BFR /CFR/PVC Free
Solder Process Capability	Not applicable for solder process capability

#### Product Compliance Disclaimer

This information is provided based on reasonable inquiry of our suppliers and represents our current actual knowledge based on the information they provided. This information is subject to change. The part numbers that TE has identified as EU RoHS compliant have a maximum concentration of 0.1% by weight in homogenous materials for lead, hexavalent chromium, mercury, PBB, PBDE, DBP, BBP, DEHP, DIBP, and 0.01% for cadmium, or qualify for an exemption to these limits as defined in the Annexes of Directive 2011/65/EU (RoHS2). Finished electrical and electronic equipment products will be CE marked as required by Directive 2011/65/EU. Components may not be CE marked. Additionally, the part numbers that TE has identified as EU ELV compliant have a maximum concentration of 0.1% by weight in homogenous materials for lead, hexavalent chromium, and mercury, and 0.01% for cadmium, or qualify for an exemption to these limits as defined in the Annexes of Directive 2000/53/EC (ELV). Regarding the REACH Regulation, the information TE provides on SVHC in articles for this part number is based on the latest European Chemicals Agency (ECHA) 'Guidance on requirements for substances in articles' posted at this URL: <https://echa.europa.eu/guidance-documents/guidance-on-reach>

### Customers Also Bought



TE Part #621207-000  
D-150-0174



TE Part #727844-000  
D-150-0175



TE Part #680326-000  
D-609-06



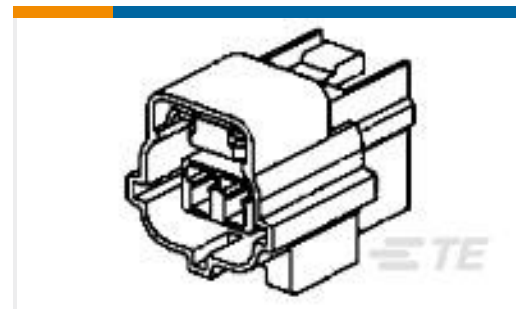
TE Part #650136-000  
D-436-0096



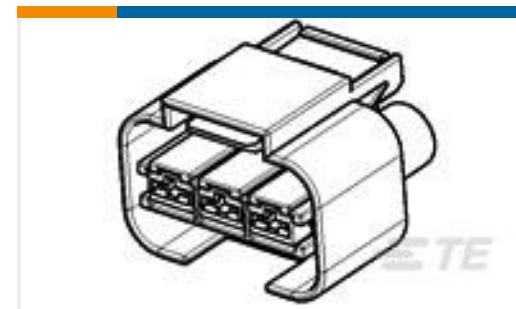
TE Part #174353-7  
070 ECONOSEAL MARK-2 PLATE 2P



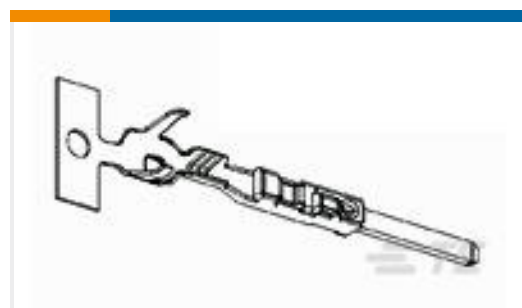
TE Part #YCTJ120E02CC015000  
MODULE ASSY



TE Part #174352-2  
070 ECONOSEAL MARK-2 PLUG 2P



TE Part #1743271-2  
SPT SLD 3P PLUG ASSY BLK



TE Part #2141114-1  
MCON 1.2 CB TAB SWS SN



TE Part #1-1456426-5  
4POS, MCON 1.2 CB REC 2p TL  
SEALED

## Documents

### Product Drawings

[D-150-0178](#)

English

### Datasheets & Catalog Pages

[1654025\\_Sec8\\_D-150](#)

English

[1654025\\_Sec8\\_D-150\\_D-500\\_DK-621](#)

English

### Harness Repair Products Quick Reference Guide

English

### Product Specifications

[Installation Procedure for TE Connectivity Shielded Cable Splice Kits with Mini-Seal Crimp Primary Splices](#)

English

# Mouser Electronics

Authorized Distributor

Click to View Pricing, Inventory, Delivery & Lifecycle Information:

[TE Connectivity:](#)

[D-150-0178](#)