



## Product Compliance

[For compliance documentation, visit the product page on TE.com>](#)

|   |   |
|---|---|
| EU RoHS Directive 2011/65/EU                  | Out of Scope  |
| EU ELV Directive 2000/53/EC                   | Out of Scope  |
| China RoHS 2 Directive MIIT Order No 32, 2016 | Not reviewed for China RoHS compliance  |
| EU REACH Regulation (EC) No. 1907/2006        | Current ECHA Candidate List: JUNE 2024 (241)<br>Candidate List Declared Against: JUNE 2024 (241)<br>Does not contain REACH SVHC |
| Halogen Content                               | Low Halogen - Br, Cl, F, I < 900 ppm per homogenous material. Also BFR/CFR/PVC Free   |
| Solder Process Capability                     | Not applicable for solder process capability  |

### Product Compliance Disclaimer

This information is provided based on reasonable inquiry of our suppliers and represents our current actual knowledge based on the information they provided. This information is subject to change. The part numbers that TE has identified as EU RoHS compliant have a maximum concentration of 0.1% by weight in homogenous materials for lead, hexavalent chromium, mercury, PBB, PBDE, DBP, BBP, DEHP, DIBP, and 0.01% for cadmium, or qualify for an exemption to these limits as defined in the Annexes of Directive 2011/65/EU (RoHS2). Finished electrical and electronic equipment products will be CE marked as required by Directive 2011/65/EU. Components may not be CE marked. Additionally, the part numbers that TE has identified as EU ELV compliant have a maximum concentration of 0.1% by weight in homogenous materials for lead, hexavalent chromium, and mercury, and 0.01% for cadmium, or qualify for an exemption to these limits as defined in the Annexes of Directive 2000/53/EC (ELV). Regarding the REACH Regulation, the information TE provides on SVHC in articles for this part number is based on the latest European Chemicals Agency (ECHA) 'Guidance on requirements for substances in articles' posted at this URL: <https://echa.europa.eu/guidance-documents/guidance-on-reach>

## Customers Also Bought



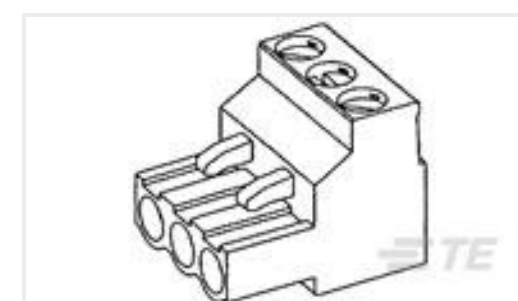
TE Part #2217206-5  
Blade, Slug



TE Part #2-34161-1  
TERMINAL,PG R 16-14 10



TE Part #1586105-3  
3P RCPT VAL-U-LOK SR V2



TE Part #796640-4  
4 POS 5.0 MM R/A PLUG,TRM BLK



TE Part #794203-1  
14P MINI UMNL2 CAP HSG UL94V0



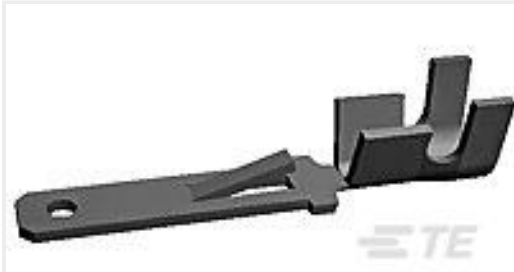
TE Part #32960  
TERMINAL,PG R 16-14 10



TE Part #794202-1  
14P MINI UMNL2 PLUG HSG UL94V0



TE Part #103688-9  
10 MTE RCPT HSG SR PLAIN .100



TE Part #170030-1  
FF 250 TAB 20-14AWG BR



TE Part #2-34854-1  
TERMINAL,PG R 12-10 10

# Mouser Electronics

Authorized Distributor

Click to View Pricing, Inventory, Delivery & Lifecycle Information:

[TE Connectivity:](#)

[690671-1](#)