



Application Tooling > Hand Crimping Tools



Tool Grade: **Premium Crimp Tooling**

Die Sets Type: **Removable/Interchangeable**

Specification Type: **MIL Spec, TE Product Specification (114-)**

TE Certification: **Yes – Certificate Included**

Power Technology Type: **Battery, Hydraulic, Manual**

## Features

### Other

Crimp Form-Wire Barrel Type	Closed Barrel - Confined Crescent
Tool Grade	Premium Crimp Tooling
Die Sets Type	Removable/Interchangeable
Specification Type	MIL Spec, TE Product Specification (114-)
TE Certification	Yes – Certificate Included
Power Technology Type	Battery, Hydraulic, Manual
Tooling Type	Die Assembly

## Product Compliance

[For compliance documentation, visit the product page on TE.com>](#)

EU RoHS Directive 2011/65/EU	Out of Scope
EU ELV Directive 2000/53/EC	Out of Scope
China RoHS 2 Directive MIIT Order No 32, 2016	Not reviewed for China RoHS compliance
EU REACH Regulation (EC) No. 1907/2006	Current ECHA Candidate List: JAN 2024 (240) Candidate List Declared Against: JAN 2021 (211) Does not contain REACH SVHC
Halogen Content	Not Yet Reviewed for halogen content

Solder Process Capability

Not applicable for solder process capability

Product Compliance Disclaimer

This information is provided based on reasonable inquiry of our suppliers and represents our current actual knowledge based on the information they provided. This information is subject to change. The part numbers that TE has identified as EU RoHS compliant have a maximum concentration of 0.1% by weight in homogenous materials for lead, hexavalent chromium, mercury, PBB, PBDE, DBP, BBP, DEHP, DIBP, and 0.01% for cadmium, or qualify for an exemption to these limits as defined in the Annexes of Directive 2011/65/EU (RoHS2). Finished electrical and electronic equipment products will be CE marked as required by Directive 2011/65/EU. Components may not be CE marked. Additionally, the part numbers that TE has identified as EU ELV compliant have a maximum concentration of 0.1% by weight in homogenous materials for lead, hexavalent chromium, and mercury, and 0.01% for cadmium, or qualify for an exemption to these limits as defined in the Annexes of Directive 2000/53/EC (ELV). Regarding the REACH Regulation, the information TE provides on SVHC in articles for this part number is based on the latest European Chemicals Agency (ECHA) 'Guidance on requirements for substances in articles' posted at this URL: <https://echa.europa.eu/guidance-documents/guidance-on-reach>


### Compatible Parts



TE Part # 324444  
SPLICE,AMPOWER PARA 2/0



TE Part # 324459  
SPLICE,AMPOWER BUTT 2/0



TE Part # 59973-1  
HYP8 8-4/0AWG MANUAL TOOL-No Dies



TE Part # 69065  
HYP8 8-4/0AWG 12T HEAD



TE Part # 69067  
HYP8 8-4/0AWG 12T HEAD



TE Part # 325403  
TERMINAL,AMPOWER 2/0 3/8



TE Part # 325402  
TERMINAL,AMPOWER 2/0 5/16



TE Part # 55992-1  
TERMINAL,AMPOWER R 2/0 5/16



TE Part # 325405  
TERMINAL,AMPOWER 2/0 1/2



TE Part # 326801  
TERMINAL,AMPOWER 2/0 3/8



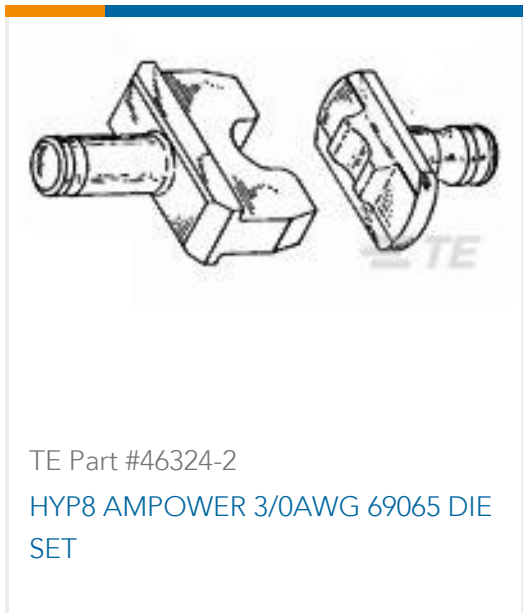
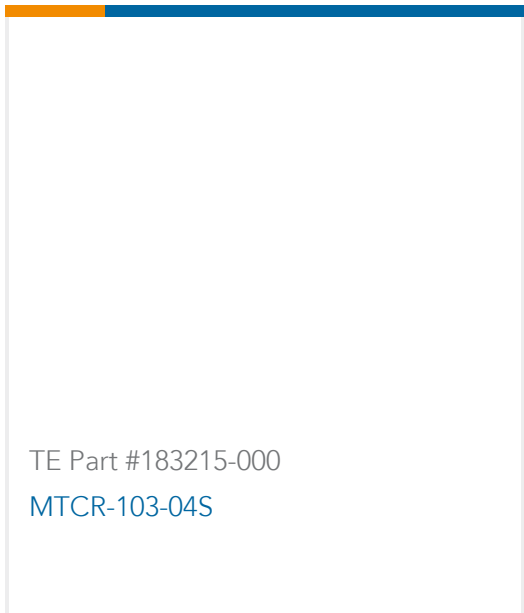
TE Part # 325401  
TERMINAL,AMPOWER 2/0 .265



TE Part # 184259-1  
TERM,AMPWR 2/0, 3/8 90 DEG



### Customers Also Bought



### Documents

#### Datasheets & Catalog Pages

[AT-Hydraulic Crimp Tooling Solutions-1654519](#)

English

#### Bottoming Dies

English

#### Instruction Sheets

[Application and Maintenance for AMPOWER Crimping Die Assemblies](#)

English



[Instruction Sheet \(U.S.\)](#)

English

# Mouser Electronics

Authorized Distributor

Click to View Pricing, Inventory, Delivery & Lifecycle Information:

[TE Connectivity:](#)

[46323-2](#)