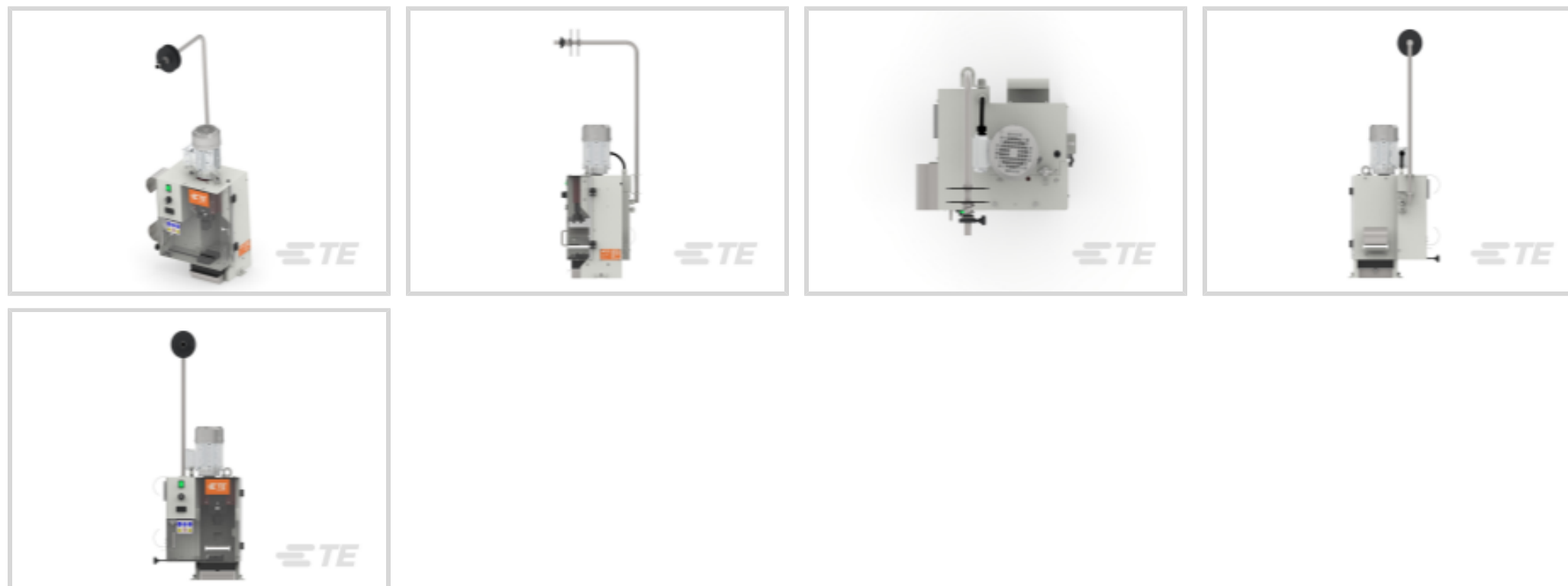




Application Tooling > Benchtop Crimping Machines



Applicator & Product Style: **OCEAN**

Split Cycle Operation: **No**

Wire Stripping: **No**

Quality Monitoring: **Without**

Splicing Capability: **No**

### Features

#### Electrical Characteristics

Operating Voltage Specification	208-240 V, 50/60 Hz, Single Phase
---------------------------------	-----------------------------------

#### Product Availability

Applicable Region	EMEA, EU, South America
-------------------	-------------------------

#### Other

Applicator & Product Style	OCEAN
Split Cycle Operation	No
Wire Stripping	No
Quality Monitoring	Without
Splicing Capability	No
Stroke Length	40 mm

### Product Compliance

[For compliance documentation, visit the product page on TE.com>](#)

EU RoHS Directive 2011/65/EU	Compliant
EU ELV Directive 2000/53/EC	Out of Scope





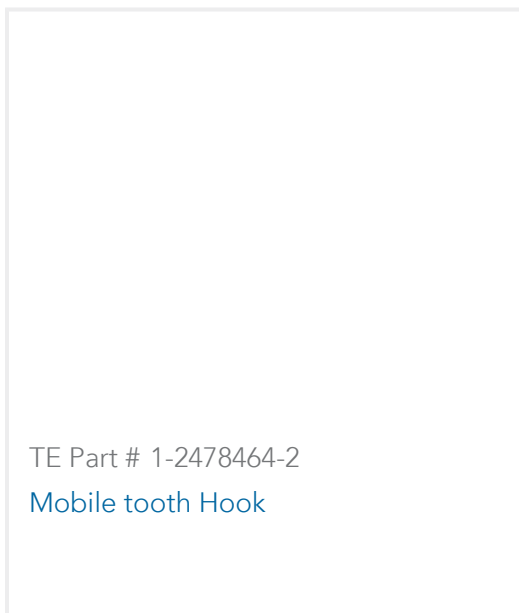
China RoHS 2 Directive MIIT Order No 32, 2016	No Restricted Materials Above Threshold
EU REACH Regulation (EC) No. 1907/2006	Current ECHA Candidate List: JUNE 2024 (241) Candidate List Declared Against: JAN 2024 (240) Does not contain REACH SVHC
Halogen Content	Low Halogen - Br, Cl, F, I < 900 ppm per homogenous material. Also BFR/CFR/PVC Free
Solder Process Capability	Not applicable for solder process capability

Product Compliance Disclaimer

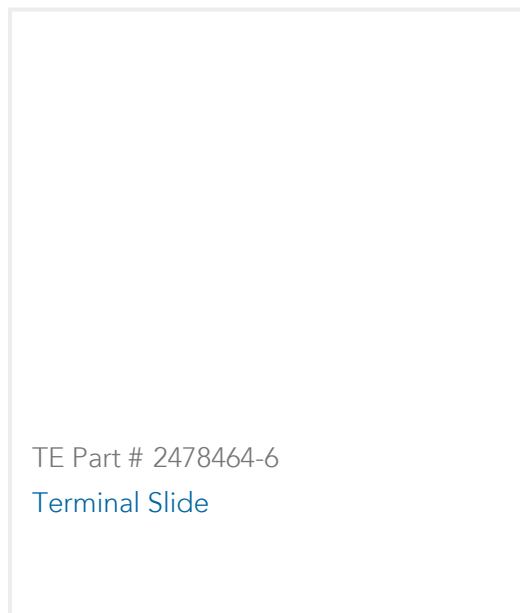
This information is provided based on reasonable inquiry of our suppliers and represents our current actual knowledge based on the information they provided. This information is subject to change. The part numbers that TE has identified as EU RoHS compliant have a maximum concentration of 0.1% by weight in homogenous materials for lead, hexavalent chromium, mercury, PBB, PBDE, DBP, BBP, DEHP, DIBP, and 0.01% for cadmium, or qualify for an exemption to these limits as defined in the Annexes of Directive 2011/65/EU (RoHS2). Finished electrical and electronic equipment products will be CE marked as required by Directive 2011/65/EU. Components may not be CE marked. Additionally, the part numbers that TE has identified as EU ELV compliant have a maximum concentration of 0.1% by weight in homogenous materials for lead, hexavalent chromium, and mercury, and 0.01% for cadmium, or qualify for an exemption to these limits as defined in the Annexes of Directive 2000/53/EC (ELV). Regarding the REACH Regulations, TE's information on SVHC in articles for this part number is still based on the European Chemical Agency (ECHA) 'Guidance on requirements for substances in articles' (Version: 2, April 2011), applying the 0.1% weight on weight concentration threshold at the finished product level. TE is aware of the European Court of Justice ruling of September 10th, 2015 also known as O5A (Once An Article Always An Article) stating that, in case of 'complex object', the threshold for a SVHC must be applied to both the product as a whole and simultaneously to each of the articles forming part of its composition. TE has evaluated this ruling based on the new ECHA "Guidance on requirements for substances in articles" (June 2017, version 4.0) and will be updating its statements accordingly.

## Compatible Parts

TE Part # 2478464-8 Commutator	TE Part # 2478464-9 Mobile Protection	TE Part # 1-2478464-4 Tooth Hook Fixed	TE Part # 1-2478464-1 EYEBOLT
 TE Part # 2151493-2 OCEAN_2.0_APPLICATOR-S-055F072O-RSA	 TE Part # 5-2151493-2 OCEAN_2.0_APPLICATOR-S-055F072O-RSA	TE Part # 2478464-7 Switch	TE Part # 1-2478464-0 Handwheel



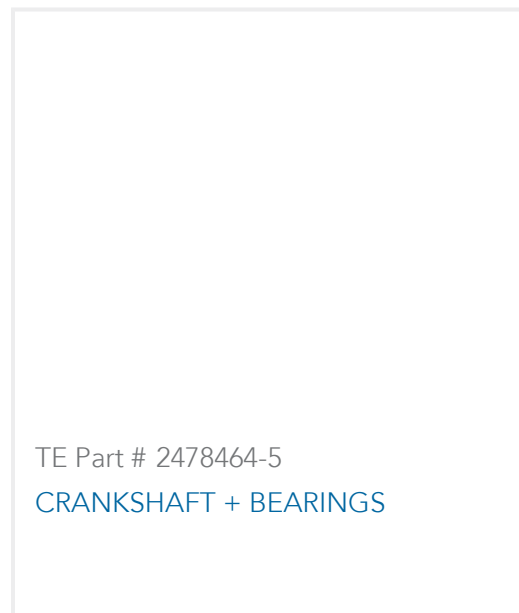
TE Part # 1-2478464-2  
Mobile tooth Hook



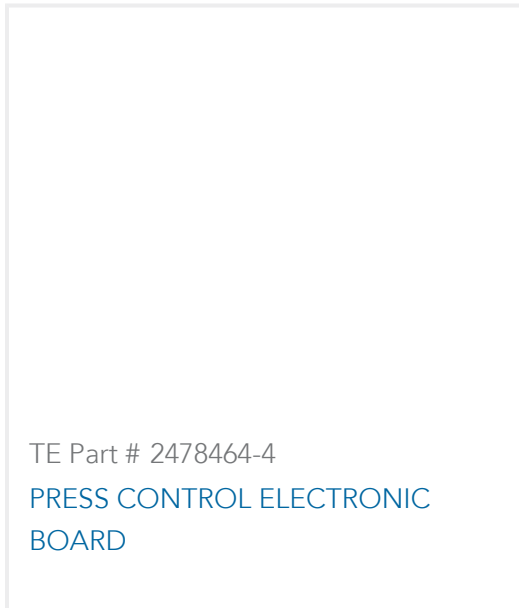
TE Part # 2478464-6  
Terminal Slide



TE Part # 5-2151493-1  
OCEAN\_2.0\_APPLICATOR-S-055F072O-RSM



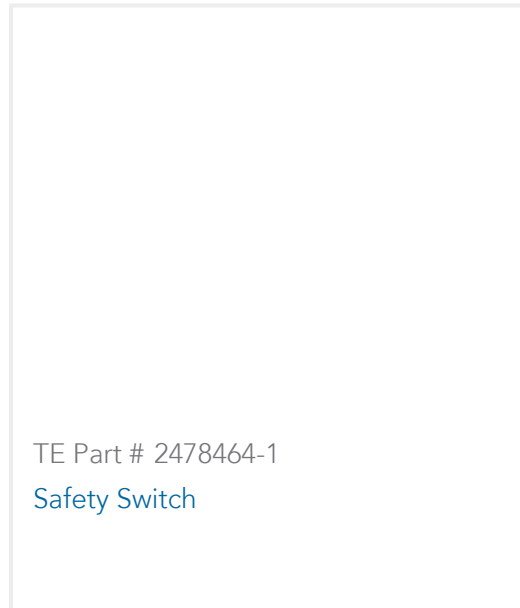
TE Part # 2478464-5  
CRANKSHAFT + BEARINGS



TE Part # 2478464-4  
PRESS CONTROL ELECTRONIC BOARD



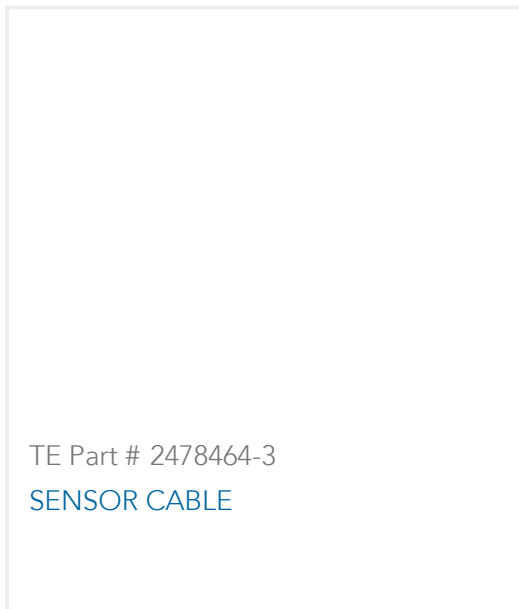
TE Part # 2478464-2  
PRESS SENSOR



TE Part # 2478464-1  
Safety Switch



TE Part # 1-2478464-3  
Crimp unit base



TE Part # 2478464-3  
SENSOR CABLE



TE Part # 2151493-1  
OCEAN\_2.0\_APPLICATOR-S-055F072O-RSM

### Customers Also Bought



TE Part #640445-3  
03P MTA156 HDR ASSY FL/STR SN



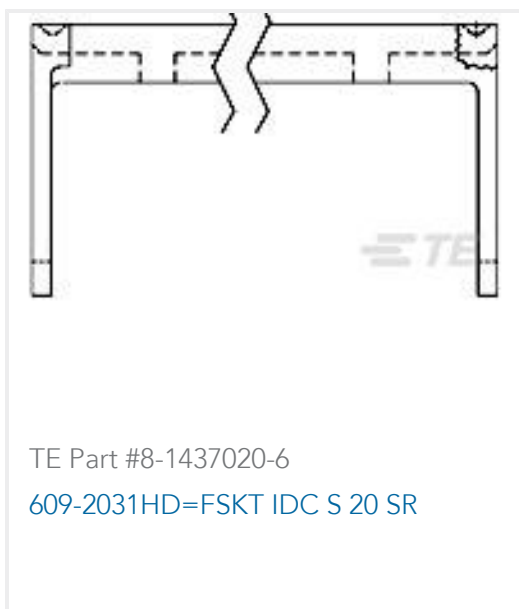
TE Part #1-1393240-4  
RT315024



TE Part #826632-8  
8P AMPMODU II PIN HDR.



TE Part #3-2119784-8  
CRIMPER INSULATION O PREMIUM



TE Part #8-1437020-6  
609-2031HD=FSKT IDC S 20 SR



TE Part #1612618-4  
SEMI-HARD TRAY DDR2 SODIMM SOCKET 200P 9



TE Part #2-338313-2  
9P.HDP20 REC. ASSY



TE Part #2-338309-2  
9P.HDP20 PLUG ASSY



## Documents

### Product Drawings

TERMINATOR, BENCH, TE T5, EMEA

English

### Instruction Sheets

T5 TERMINATOR PN'S 2475000 [ ] NON CQM VERSION AND 2476000 [ ] CQM VERSIONS

T5 TERMINATOR PN'S 2475000 [ ] NON CQM VERSION AND 2476000 [ ] CQM VERSIONS

T5 TERMINATOR PN'S 2475000 [ ] NON CQM VERSION AND 2476000 [ ] CQM VERSIONS

T5 TERMINATOR PN'S 2475000 [ ] NON CQM VERSION AND 2476000 [ ] CQM VERSIONS

T5 TERMINATOR PN'S 2475000 [ ] NON CQM VERSION AND 2476000 [ ] CQM VERSIONS

T5 TERMINATOR PN'S 2475000 [ ] NON CQM VERSION AND 2476000 [ ] CQM VERSIONS

T5 TERMINATOR PN'S 2475000 [ ] NON CQM VERSION AND 2476000 [ ] CQM VERSIONS

German

T5 TERMINATOR PN'S 2475000 [ ] NON CQM VERSION AND 2476000 [ ] CQM VERSIONS

English

### Agency Approvals

CE Declaration of Conformity

CE Declaration of Conformity

CE Declaration of Conformity

CE Declaration of Conformity

CE Declaration of Conformity

CE Declaration of Conformity

CE Declaration of Conformity

CE Declaration of Conformity

CE Declaration of Conformity

CE Declaration of Conformity

CE Declaration of Conformity

CE Declaration of Conformity

German



[CE Declaration of Conformity](#)

[CE Declaration of Conformity](#)

[CE Declaration of Conformity](#)

[CE Declaration of Conformity](#)

[CE Declaration of Conformity](#)

French

[CE Declaration of Conformity](#)

[CE Declaration of Conformity](#)

English

# Mouser Electronics

Authorized Distributor

Click to View Pricing, Inventory, Delivery & Lifecycle Information:

[TE Connectivity:](#)

[2475000-2](#)