

140787-2 ✓ ACTIVE

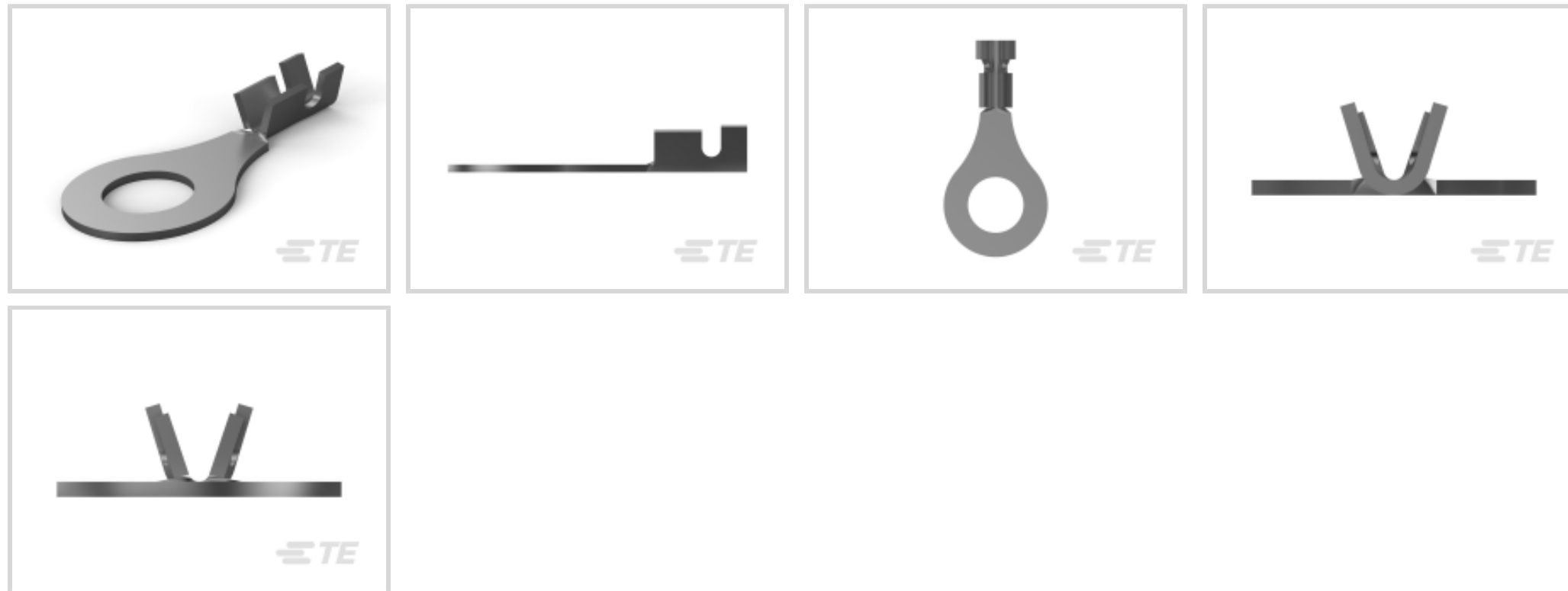
TE Internal #: 140787-2

Closed Ring Tongue Terminal, 22 – 16 AWG, M8 / 5/16 Stud Size,
8.3 mm [.327 in] Stud Diameter, Open Barrel, Straight, Tin,
Uninsulated

[View on TE.com >](#)



Terminals & Splices > Ring Terminals



Ring Terminal Product Type: Closed Ring Tongue Terminal

Wire Size: 640 – 1624 CMA

Stud Size: 5/16, M8

Features

Product Type Features

Shape Description	RING-001
Ring Terminal Product Type	Closed Ring Tongue Terminal
Stud Size	5/16, M8
Sealable	No
Compatible With Discrete Wire Type	Stranded
Wire Insulation Support Retention Type	Insulation Support

Configuration Features

Number of Holes	1
-----------------	---

Body Features

Product Weight	1.39 g
----------------	--------

Contact Features

Barrel Type	Open
Terminal Orientation	Straight
Terminal Plating Material	Tin

Mechanical Attachment

Wire Insulation Support	With
-------------------------	------



Dimensions

Wire Size	640 – 1624 CMA
Stud Diameter	8.3 mm [.327 in]
Tongue Thickness	.64 mm [.025 in]
Product Length	24.8 mm [.976 in]
Barrel Inside Diameter	.89 mm, 1.78 mm [.035 in] [.07 in]
Compatible Insulation Diameter (Max)	3.05 mm [.12 in]
Compatible Insulation Diameter Range	1.52 – 3.05 mm [.06 – .12 in]

Usage Conditions

Insulation Option	Uninsulated
Operating Temperature Range	-40 – 105 °C [-40 – 221 °F]

Operation/Application

Compatible With Wire Base Material	Copper
------------------------------------	--------

Industry Standards

Government Qualified Terminal	No
-------------------------------	----

Packaging Features

Packaging Quantity	5000
Packaging Method	Reel

Product Compliance

[For compliance documentation, visit the product page on TE.com>](#)

EU RoHS Directive 2011/65/EU	Compliant
EU ELV Directive 2000/53/EC	Compliant
China RoHS 2 Directive MIIT Order No 32, 2016	No Restricted Materials Above Threshold
EU REACH Regulation (EC) No. 1907/2006	Current ECHA Candidate List: JAN 2024 (240) Candidate List Declared Against: JAN 2024 (240) Does not contain REACH SVHC
Halogen Content	Low Halogen - Br, Cl, F, I < 900 ppm per homogenous material. Also BFR/CFR/PVC Free
Solder Process Capability	Not applicable for solder process capability


Product Compliance Disclaimer

This information is provided based on reasonable inquiry of our suppliers and represents our current actual knowledge based on the information they provided. This information is subject to change. The part numbers that TE has identified as EU RoHS compliant have a maximum concentration of 0.1% by weight in homogenous materials for lead, hexavalent chromium, mercury, PBB, PBDE, DBP, BBP, DEHP, DIBP, and 0.01% for cadmium, or qualify for an exemption to these limits as defined in the Annexes of Directive 2011/65/EU (RoHS2). Finished electrical and electronic equipment products will be CE marked as required by Directive 2011/65/EU. Components may not be CE marked. Additionally, the part numbers that TE has identified as EU ELV compliant have a maximum concentration of 0.1% by weight in homogenous materials for lead, hexavalent chromium, and mercury, and 0.01% for cadmium, or qualify for an exemption to these limits as defined in the Annexes of Directive 2000/53/EC (ELV). Regarding the REACH Regulation, the information TE provides on SVHC in articles for this part number is based on the latest European Chemicals Agency (ECHA) 'Guidance on requirements for substances in articles' posted at this URL: <https://echa.europa.eu/guidance-documents/guidance-on-reach>

Compatible Parts



TE Part # 2150318-2
OCEAN_2.0_Applicator-E-110F1400-REA



TE Part # 7-2150318-2
OCEAN_2.0_Applicator-E-110F1400



TE Part # 7-2150318-7
OCEAN_2.0_SPARE_PART_KIT-110F1400

Customers Also Bought



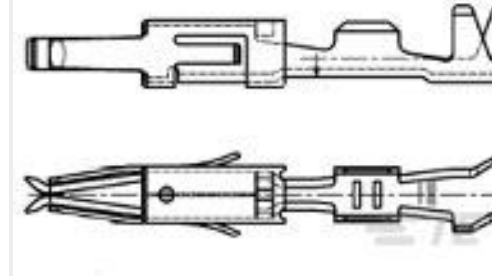
TE Part #281827-2
PL 0.5-1.5 MM2 0.40 X 52.30 TPBR



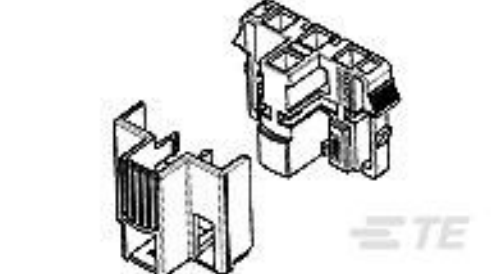
TE Part #284442-1
MQS, CONNECTOR HOUSING



TE Part #284088-1
.070 NEW GEN RCPT CONT 0.75 T



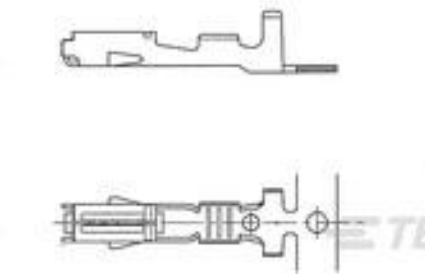
TE Part #962875-2
MT2 REC 1.6 Contact SWS Sn




TE Part #284101-1
4P CONNECTOR FOR IGNITION KEY



TE Part #1745003-1
18 POS. FRAME ASSY CRIMP/CRIMP



TE Part #282225-1
ECONOSEAL RCPT CONT. 1,0-1,5



TE Part #2098963-1
30 WAY SHIELD ASSEMBLY, KEY AD



Documents

Product Drawings

[TERMINAL RING TONGUE 22-16](#)

French

CAD Files

Customer View Model

[ENG_CVM_140787-2_D.3d_igs.zip](#)

English

Customer View Model

[ENG_CVM_140787-2_D.3d_stp.zip](#)

English

Customer View Model

[ENG_CVM_140787-2_D.2d_dxf.zip](#)

English

[3D PDF](#)

English

[3D PDF](#)

3D

Customer View Model

[ENG_CVM_CVM_140787-2_K.2d_dxf.zip](#)

English

Customer View Model

[ENG_CVM_CVM_140787-2_K.3d_igs.zip](#)

English

Customer View Model

[ENG_CVM_CVM_140787-2_K.3d_stp.zip](#)

English

By downloading the CAD file I accept and agree to the [Terms and Conditions](#) of use.

Product Specifications

[Application Specification](#)

English

Agency Approvals

[Agency Approval Document](#)

English

140787-2

Closed Ring Tongue Terminal, 22 – 16 AWG, M8 / 5/16 Stud Size, 8.3 mm [.327 in]
Stud Diameter, Open Barrel, Straight, Tin, Uninsulated



Mouser Electronics

Authorized Distributor

Click to View Pricing, Inventory, Delivery & Lifecycle Information:

[TE Connectivity:](#)

[140787-2](#)