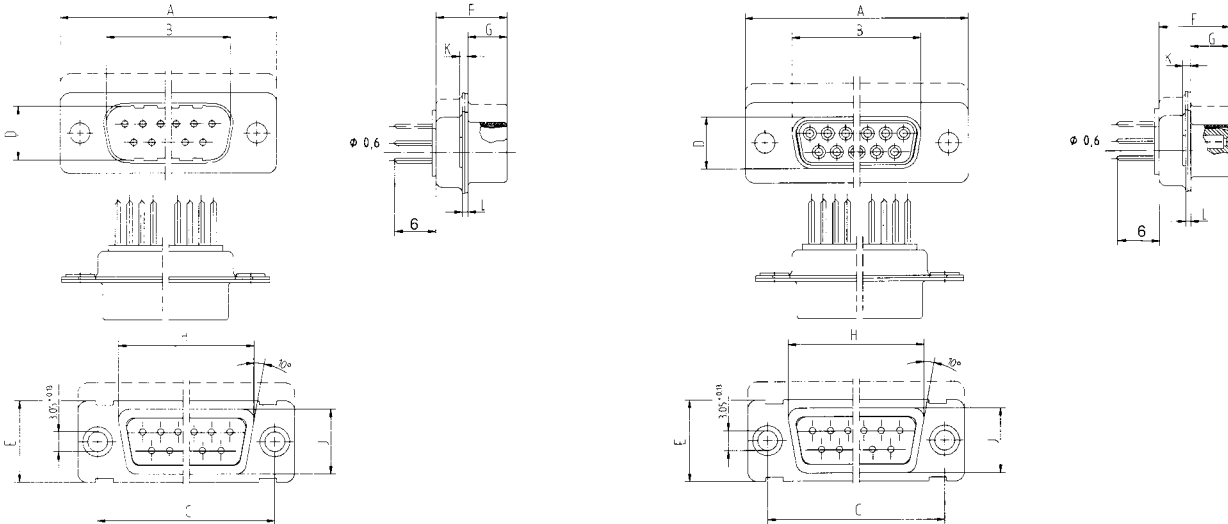


TMC with straight dip-solder termination

Dimensional drawings

Male connector

Female connector

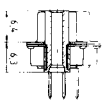


Dimensional drawings

	Male connector	Female connector
	<p>TMC-P-....TL Performance Level 207</p>	<p>TMC-S-....TL Performance Level 207</p>
Number of pins	09 15 25 37 50	09 15 25 37 50
Standard	<p>Standard version</p> <p>023132 023133 023019 023134 023135*</p>	<p>Standard version</p> <p>003552 003553 003554 003555 013920</p>

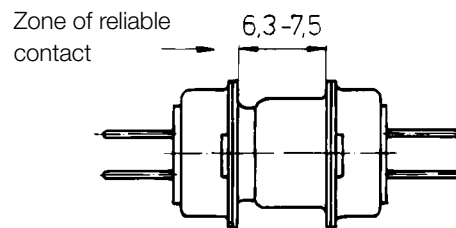
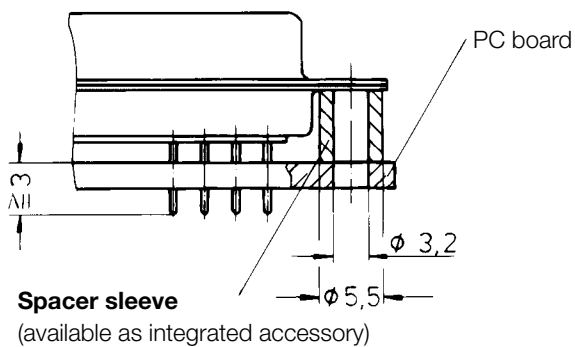
<p>Riveted nut and sleeve</p>	<p>Version with riveted nut and sleeve M3 as accessories</p> <p>023136 023137 023138 023139 023140*</p>	<p>Version with riveted nut and sleeve M3 as accessories</p> <p>003634 013052 003625 013702 013897</p>
	<p>Version with riveted nut and sleeve 4/40 as accessories</p> <p>023141 023142 023143 023144 023145*</p>	<p>Version with riveted nut and sleeve 4/40 as accessories</p> <p>003633 013551 003626 013701 013898</p>
<p>Threaded bolt and sleeve</p>	<p>Version with threaded bolt and sleeve M3 as accessories</p> <p>023146 023147 023148 023149 023150*</p>	<p>Version with threaded bolt and sleeve M3 as accessories</p> <p>003635 013550 003628 013700 013892</p>
	<p>Version with threaded bolt and sleeve 4/40 as accessories</p> <p>023151 023152 023153 023154 023155*</p>	<p>Version with threaded bolt and sleeve 4/40 as accessories</p> <p>003636 013549 003627 013699 013893</p>

D-Sub

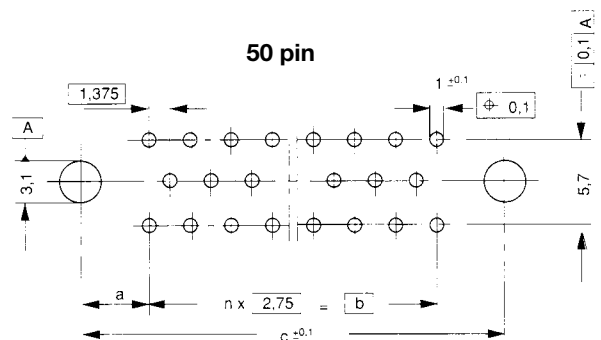
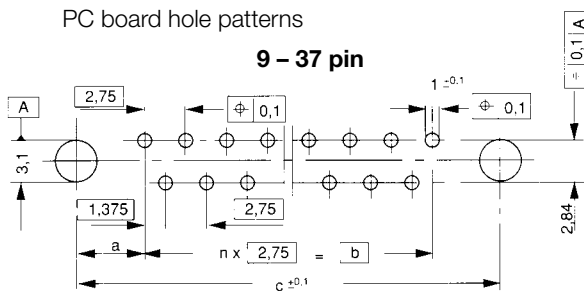
	Male connectors					Female connectors				
	TMC-P-....TL <i>Performance Level 207</i>					TMC-S-....TL <i>Performance Level 207</i>				
Number of pins	09	15	25	37	50	09	15	25	37	50
Threaded bolt and sleeve 	<i>Version with threaded bolt 4/40 and sleeve M3 as accessories</i>					<i>Version with threaded bolt 4/40 and sleeve M3 as accessories</i>				
	023156	023157	023158	023159	023160*	013032	013033	013029	013034	003641

Assembly details

TMC with straight dip-solder termination



PC board hole patterns



Number of pins	a	b	c	n
9	7	11	25	4
15	7,025	19,25	33,3	7
25	7	33	47	12
37	7	49,5	63,5	18
50	8,55	44	61,1	16

Mouser Electronics

Authorized Distributor

Click to View Pricing, Inventory, Delivery & Lifecycle Information:

[TE Connectivity:](#)

[023156](#)