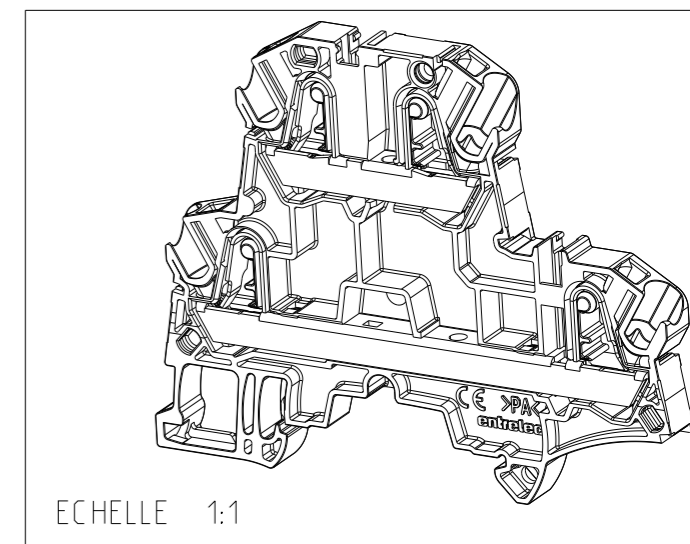
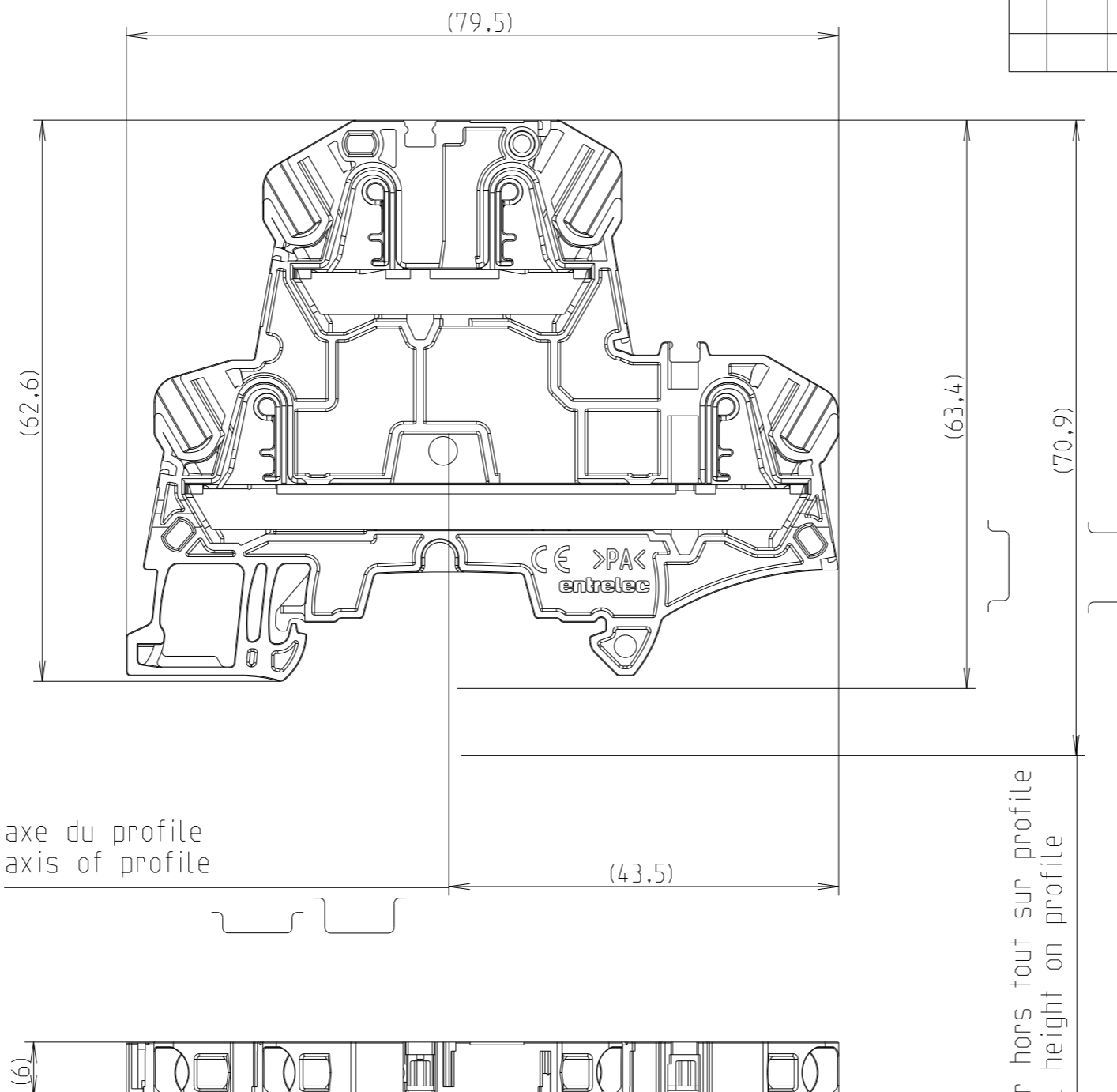


P	LTR	DESCRIPTION	DATE	DWN	APVD
	1	First Released	18FEB2022	CD	

ECHELLE 3:2



THIS DRAWING IS A CONTROLLED DOCUMENT.		1001 Jan-23 04:22:27 PM Deligny, Charlotte			
DIMENSIONS: mm		TOLERANCES UNLESS OTHERWISE SPECIFIED:			
		0 PLC ± 1 PLC ±0,1 2 PLC ±0,01 3 PLC ±0,005 4 PLC ±0,0001 ANGLES ±		NAME ZK4-D2	
MATERIAL -		FINISH -		PRODUCT SPEC -	
-		finish_spec_2		APPLICATION SPEC -	
				WEIGHT -	
				SIZE A3	
				CAGE CODE 00779	
				DRAWING NO 1SNK706210R0000	
				RESTRICTED TO -	
				SCALE 1:2	
				SHEET 1 OF 1	
				REV 4	
CUSTOMER DRAWING;RESTRICTED CUSTOMER					

# Mouser Electronics

Authorized Distributor

Click to View Pricing, Inventory, Delivery & Lifecycle Information:

[TE Connectivity:](#)

[1SNK706210R0000](#)