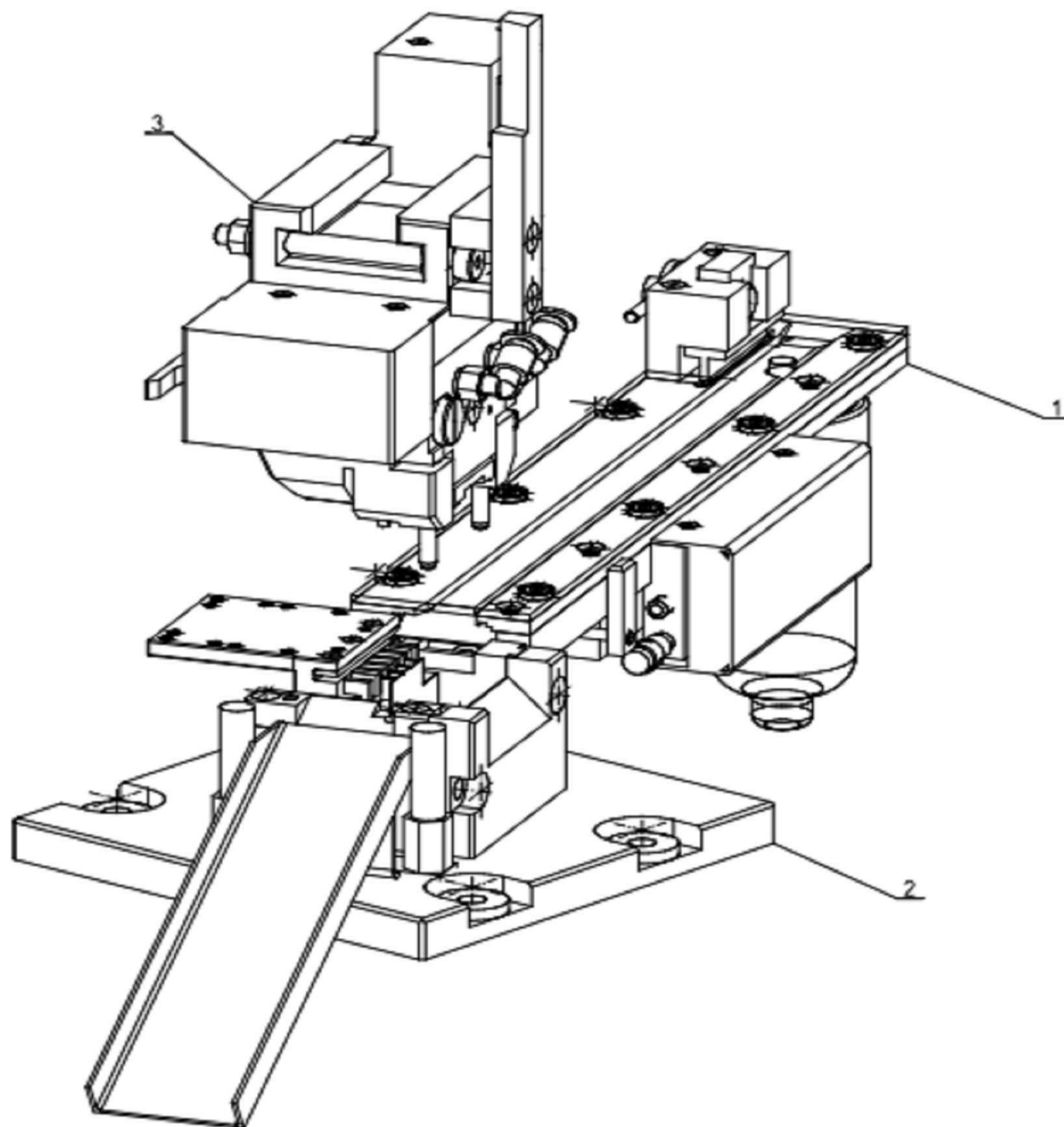


© 2023 TE Connectivity. All Rights Reserved.

PART NUMBER	REV	DESCRIPTION	USED ON
2434675-1	A	APPLICATOR, FFC F-CRIMP	FFC MARK 4

REVISIONS				
P	LTR	DESCRIPTION	DATE	APVD
	A	INITIAL RELEASE	07JUL2023	GK TT
	A1	REVISED PER ECR-23-189360	11OCT23	GK TT

1. RECOMENDED SPARE PART: NONE.
2. TORQUE RECOMMENDATIONS PER 101-35000 UNLESS OTHERWISE SPECIFIED.



1	2446228-2	TOOL UPPER PART	3
1	2446228-1	TOOL LOWER PART	2
1	3-528420-2	FEEDING	1
-1	PART NO	DESCRIPTION	ITEM NO

THIS DRAWING IS A CONTROLLED DOCUMENT.		DWN 07 JUL 2023 GOPALAKRISHNA HV	<b>STE</b> TE Connectivity		
DIMENSIONS: MM		CHK 07 JUL 2023 TAO, TYREFFE			
TOLERANCES UNLESS OTHERWISE SPECIFIED:		APVD 07 JUL 2023 TAO, TYREFFE	NAME APPLICATOR, FFC F-CRIMP		
0 PLC ± 1 PLC ± 2 PLC ± 3 PLC ± 4 PLC ± ANGLES ± FINISH		PRODUCT SPEC - APPLICATION SPEC - WEIGHT -	SIZE A2	CAGE CODE 00779	DRAWING NO C-2434675-1
MATERIAL -		CUSTOMER ACCESSIBLE PRODUCTION DRAWING		RESTRICTED TO -	
		SCALE	SHEET	OF	REV A1

# Mouser Electronics

Authorized Distributor

Click to View Pricing, Inventory, Delivery & Lifecycle Information:

[TE Connectivity:](#)

[2434675-1](#)