

KISSLING BI-STABLE RELAYS WITH INTERNAL CONTROL ELECTRONICS

Series 31 / ENERGY - from TE Connectivity (TE)

Our series 31 bi-stable power relay with internal control electronics is based on the Series 30 industrial relay and has all the same quality mechanical and electrical switching characteristics - but also features additional electronic functions.

This relay is particularly well suited for battery management and power distribution applications on commercial vehicles, buses, construction & agricultural vehicles, aircraft, ground support equipment and lift trucks.

Our robust design of our bi-stable relays provide a sealing rate of IP67 and IP6K9K (steam pressure cleaning) in accordance with IEC 60529 and DIN 40050-9. The series 31 includes power relays in nominal voltages of 12 & 24 V and nominal continuous amperages of 300 Amps. Contact voltages up to 250VDC with magential blowout (>40 VDC).

Features

- Sealed housing conforms to IP6K9K
- Robust design
- Variety of configuration options
- 6G shock and 4G vibration resistant
- “Energy” function for automatic shutoff in case of loss of power improves safety levels and reaction times in critical situations.

Applications

- Commercial vehicles
- Bus
- Lift truck
- Ground support equipment
- Construction and agricultural vehicles

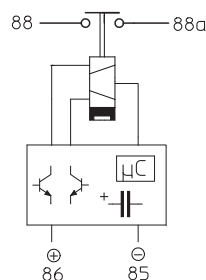
Electronic energy storage-control

The relay has only two control connections which make it possible to replace a standard monostable relay with a bi-stable relay providing the advantage of powerless holding.

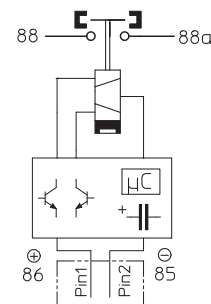
The internal capacitor is charged during the switch-on process. When the power supply is removed, the capacitor discharges the power into the drop out coil, which therefore switches off the relay. The characteristics of a standard bi-stable relay requires resupply of energy to drop out the coil. The electronics are short-circuit protected and feature safety coil selection, reverse polarity protection and coil cancellation.

Circuits

NO-Contact
Standard type



NO-Contact
Plugin connection /
Magnetic blowout



SERIES 31

300A - ENERGY

Specification

Technical Data

Temperature range	-40°C to +85°C
Protection	IEC 60529 / DIN 40050-9 / IP67 (0,2bar; 1min) and IP6K9K
Shock	6g / 11msec
Vibration	4g / 50 - 2000Hz
Thread sizes / Torque	M4 = 2.0 - 2.2Nm M10 = 15 - 20Nm

Electrical Characteristics

Min. Insulation resistance	100M Ω
After live or environment	50M Ω
Dielectric withstanding voltage	1050VAC / 1min at 50Hz
Max. Contact drop, initial	150mV
Contact drop after life test	175mV
Continuous current	300A
Overload	2400A - 1sec / 600A - 20sec
Quiescent current	approx. 2mA

Rated contact load	12 and 24 / 28VDC
Resistive load	50.000 cycles 300A
Mechanical life	100.000 cycles

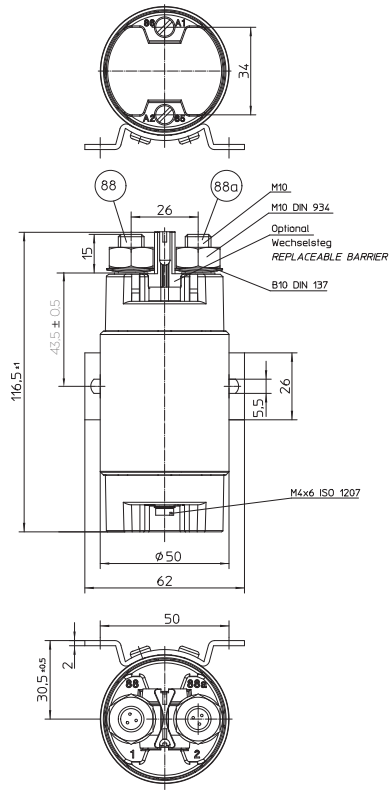
Coil Data	12VDC	24 / 28VDC
Voltage range	9-16VDC	18-32VDC
Nominal voltage	12VDC	28VDC
Pick up coil resistance	2.1 Ω \pm 20%	7.8 Ω \pm 20%
Drop out coil resistance	2.6 Ω \pm 20%	8.4 Ω \pm 20%

Operating times

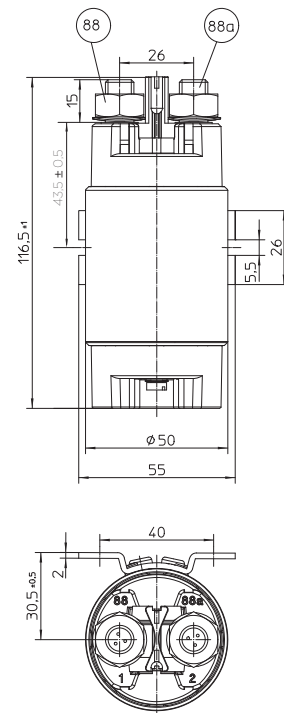
Min. pick up time	approx. 500msec
Bounce time	max. 5msec
Min. drop time	approx. 100msec
Wire Section	min. 95mm ² / 0.147 sq.inch / AWG 4-0
Mounting position	optional

Technical drawings

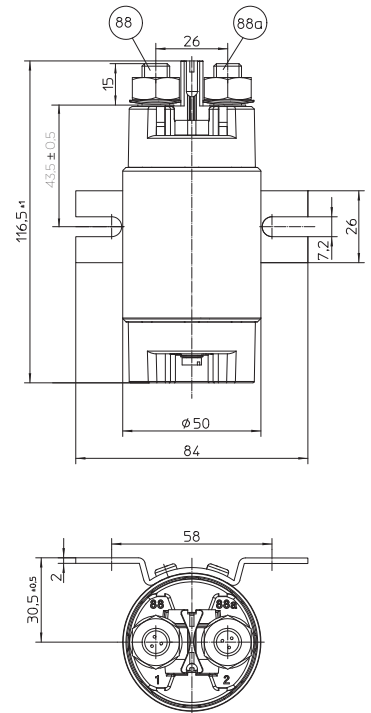
Standard side mounting



Short form side mounting

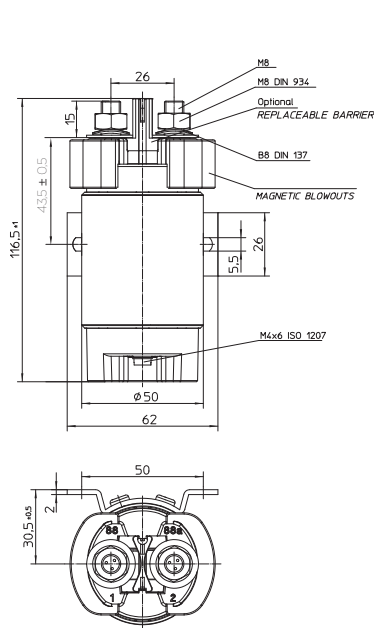


Long form side mounting



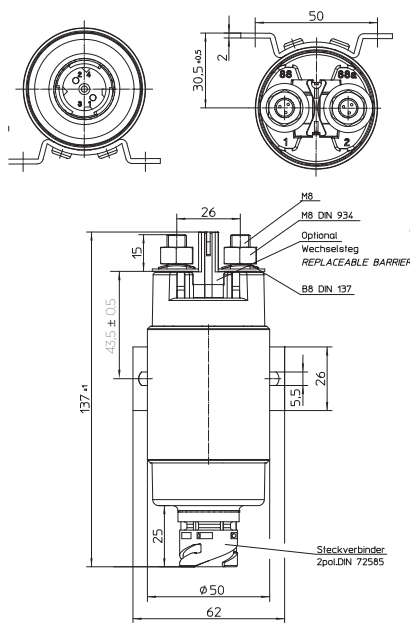
Options:

Magnetic blowouts



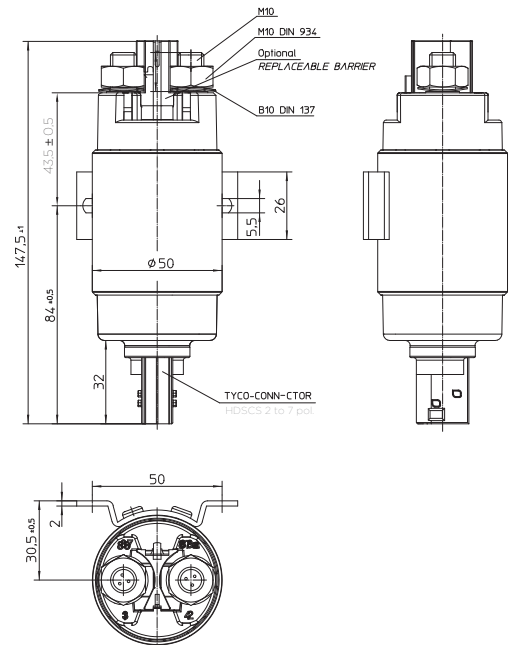
Options -9XX:

Bayonet connector DIN 72585



Options -9XX:

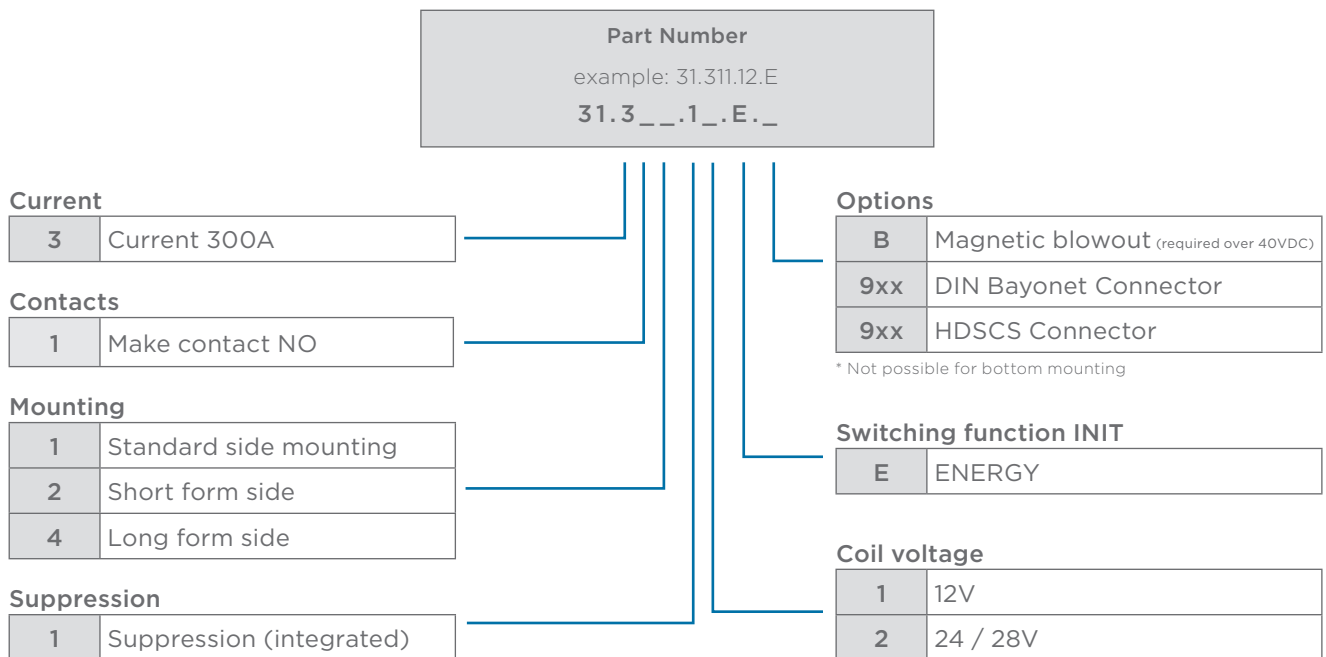
HDSCS connector



SERIES 31

300A - ENERGY

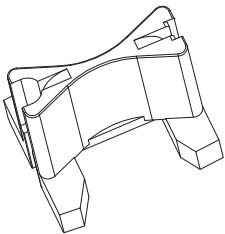
Ordering Information



Accessories

Replaceable barrier

29-200-55



te.com

TE Connectivity, TE, TE connectivity (logo), HDSCS, KISSLING (logo) and KISSLING (word) are trademarks owned or licensed by the TE Connectivity family of companies.

All other logos, products and/or company names referred to herein might be trademarks of their respective owners.

The information given herein, including drawings, illustrations and schematics which are intended for illustration purposes only, is believed to be reliable. However, TE Connectivity makes no warranties as to its accuracy or completeness and disclaims any liability in connection with its use. TE Connectivity's obligations shall only be as set forth in TE Connectivity's Standard Terms and Conditions of Sale for this product and in no case will TE Connectivity be liable for any incidental, indirect or consequential damages arising out of the sale, resale, use or misuse of the product. Users of TE Connectivity products should make their own evaluation to determine the suitability of each such product for the specific application.

© 2020 TE Connectivity | All Rights Reserved.

K1166718 | Version 08/2020

Mouser Electronics

Authorized Distributor

Click to View Pricing, Inventory, Delivery & Lifecycle Information:

[TE Connectivity:](#)

[K1142045](#)