



KISSLING HIGH VOLTAGE BATTERY DISCONNECTOR

Series 35H - from TE Connectivity (TE)

TE's high voltage (HV) battery disconnect switch from the KISSLING product family is a robust battery disconnect switch available in two versions, 400A and 550A. This battery disconnect switch meets the high demands of the industrial and commercial transportation industry.

The HV battery switch meets IP67 and IP6K9K protection class with its operating temperature range of -40°C to $+85^{\circ}\text{C}$ and is designed for high power applications common in the truck, agricultural, construction, marine and other industrial markets. It is used during maintenance work to disconnect the power circuit from the battery to the equipment to ensure the safety of the mechanic and to prevent consequential damage to the system components, ensuring a safe working environment.

Our mechanical battery disconnect switch is equipped with an actuator in signal orange specially used for high voltage applications and can handle switching currents up to 550A and a voltage of 1000VDC @ 7000m for high demands in all areas of the vehicle.

Like all battery disconnectors from our KISSLING product family, this switch meets the high quality standards you can count on.

Features

- Sealed housing conforms to IP67 and IP6K9K
- 25G shock and 4G vibration resistant
- Main contact current rated for continuous current and 100% duty cycle
- Designed for extreme temperatures -40°C to $+85^{\circ}\text{C}$
- Maximum contact voltage of up to 1000VDC @ 7000m

Applications

- Truck
- Bus
- Ground support vehicles
- Construction and agricultural vehicles
- Railway
- Aircraft

KISSLING HV BATTERY DISCONNECT

Series 35H

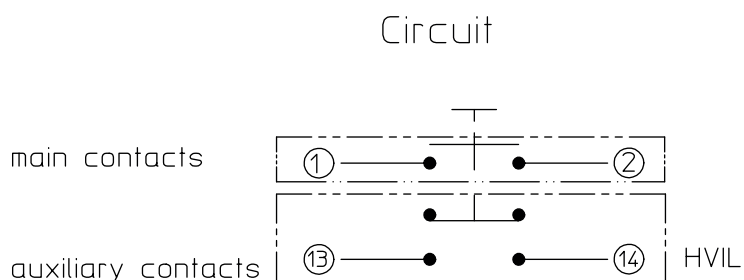
Specification

Technical Data	400A	550A
Case material Cover / Base plate	PA GF black	PA GF black
Switch lever material	PA GF orange RAL 2003	PA GF orange RAL 2003
Min. insulating resistance	100MΩ	100MΩ
Dielectric withstanding voltage	2000V - 1 min.	2000V - 1 min.
Max. contact voltage drop at nominal load	approx. 60-70mV	approx. 60-70mV
Operating voltage	up to 1000VDC @ 7000m (no switching under load)	up to 1000VDC @ 7000m (no switching under load)
Duty rating at wire section	400A	550A
Overload	940A - 5min 1200A - 30sec 2900A - 10sec	940A - 5min 1200A - 30sec 2900A - 10sec
Sealing	IP67 and IP6K9K	IP67 and IP6K9K
Cable and connector	IP00	IP00
Vibration	4G / 10-2000Hz	4G / 10-2000Hz
Shock	25G / 15ms 40G / 6ms	25G / 15ms 40G / 6ms
Weight	405g	528g
Temperature range	-40°C to +85°C	-40°C to +85°C
Mounting position	optional	optional
Wire section (at nominal load main terminals)	min. 150mm ²	min. 240mm ²
Switch lever	removable / lockable	removable / lockable
Max torque (main terminals)	15 - 20Nm	15-20Nm
Auxiliary contact	400A	550A
Continuous current	5A	5A
Nominal voltage	24VDC	24VDC
Min. switching capacity	12VDC / 10mA	12VDC / 10mA

Ordering Information

Description	Part Number
Series 35H - 400A // 35H-411-0100-OR210-900	K1167145
Series 35H - 550A // 35H-511-0100-OR210-902	K1167227

Circuits



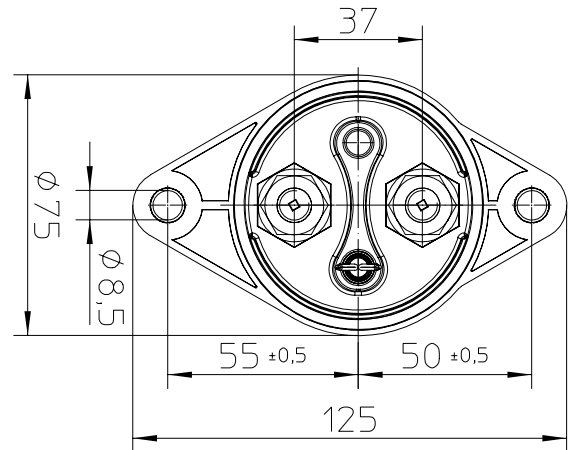
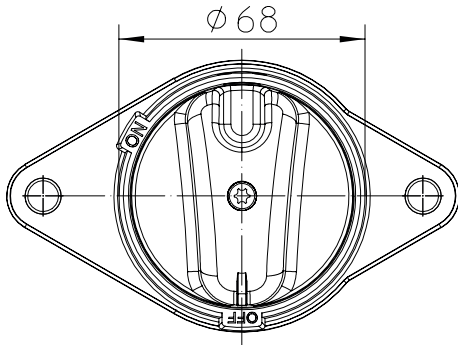
When operating the shift lever from the OFF to the ON position, the main contacts 1/2 initially close and then the auxiliary contacts 13/14.

When operating the shift lever from ON to OFF position, the auxiliary contacts 13/14 open before the main contact 1/2.

KISSLING HV BATTERY DISCONNECT

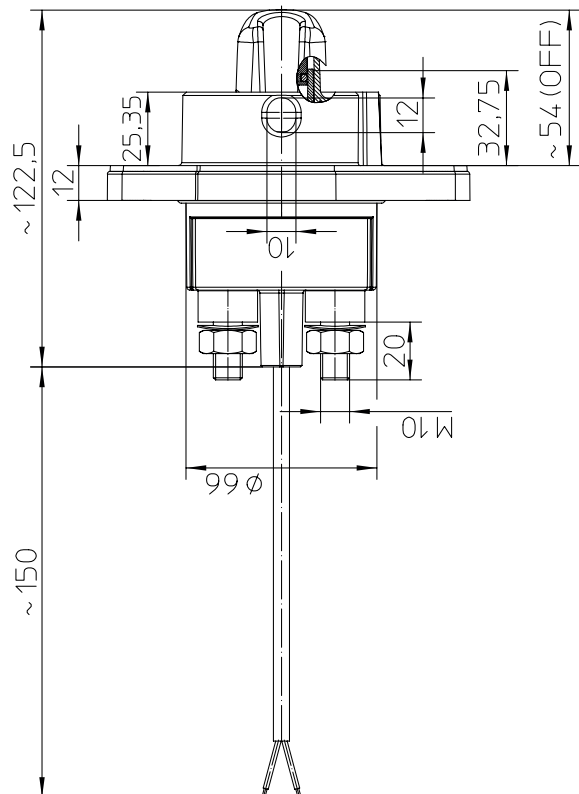
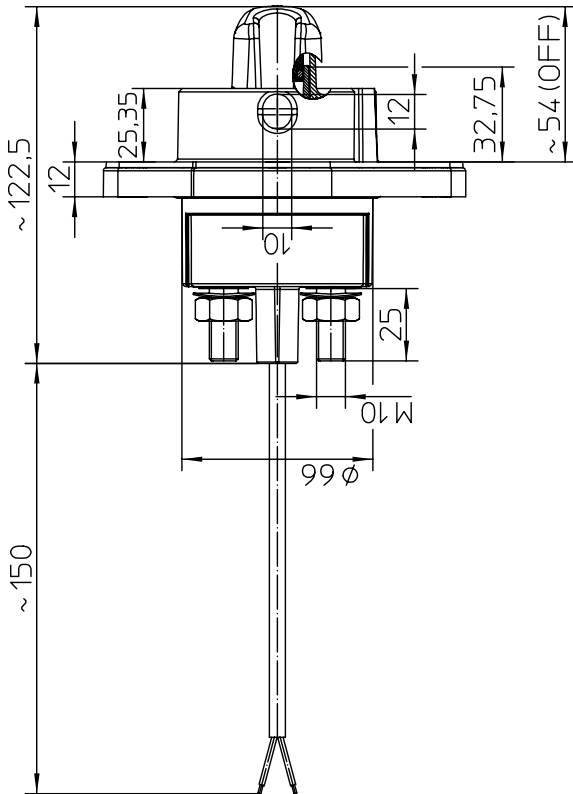
Serie 35H

Technical drawings



Series 35H - 400A
35H-411-0100-OR210-900

Series 35H - 550A
35H-511-0100-OR210-902



te.com

TE Connectivity, TE, TE connectivity (logo) and KISSLING (word) are trademarks owned or licensed by the TE Connectivity family of companies. All other logos, products and/or company names referred to herein might be trademarks of their respective owners.

The information given herein, including drawings, illustrations and schematics which are intended for illustration purposes only, is believed to be reliable. However, TE Connectivity makes no warranties as to its accuracy or completeness and disclaims any liability in connection with its use. TE Connectivity's obligations shall only be as set forth in TE Connectivity's Standard Terms and Conditions of Sale for this product and in no case will TE Connectivity be liable for any incidental, indirect or consequential damages arising out of the sale, resale, use or misuse of the product. Users of TE Connectivity products should make their own evaluation to determine the suitability of each such product for the specific application.

© 2020 TE Connectivity | All Rights Reserved.
K1166714| Version 03/2021

Mouser Electronics

Authorized Distributor

Click to View Pricing, Inventory, Delivery & Lifecycle Information:

[TE Connectivity:](#)

[35H-411-0100-OR210-900](#)