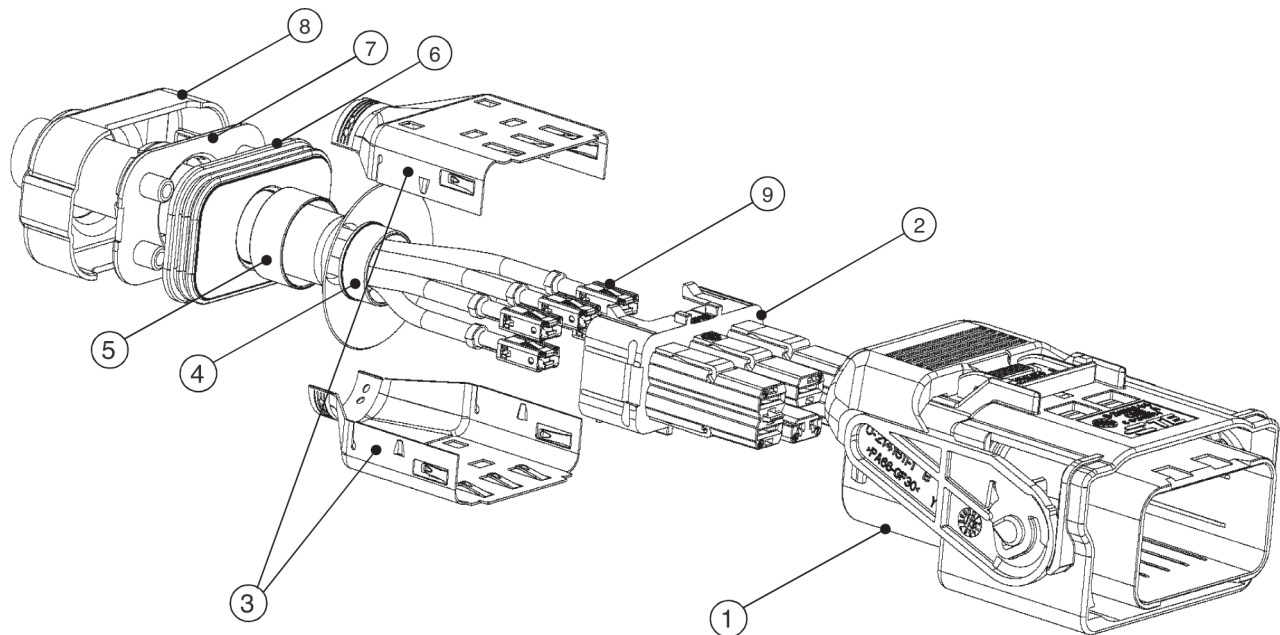


Kit Number **YHVA630-3phm-4mm-A**



AMP+ High Current Connectors and Headers

AMP+ HVA 630



Connector Series

AMP+ HVA630

Positions	3
Cable Size	4 mm ²
Wire Type	Multicore
HVIL	Bridge in the connector
Key Coding	A
Application Specification	114-94114
Product Specification	108-94235
Mating Header PN	
90°	2141269-1
180°	2236454-1

Bill of Materials

Item No	Part Number	Description	Quantity
①	2141608-4	Outer Housing Assy with CPA, Code A	1
②	2141630-1	Receptacle Housing Assy with HVIL	1
③	2141616-1	Shielding	2
④	2141261-1	Shield Crimp Ferrule, Inner	1
⑤	2141617-1	Outer Crimp Ferrule	1
⑥	2141612-3	Cable Seal	1
⑦	2141613-3	Carrier Cable Seal	1
⑧	2141614-3	Cover Cable Seal	1
⑨	2-1241408-3	AMP MCP 6.3/4.8 Contact	3

DISCLAIMER

While TE Connectivity (TE) has made every reasonable effort to ensure the accuracy of the information in this document, TE does not guarantee that it is error-free, nor does TE make any other representation, warranty or guarantee that the information is accurate, correct, reliable or current. TE reserves the right to make any adjustments to the information contained herein at any time without notice.

TE expressly disclaims all implied warranties regarding the information contained herein, including, but not limited to, any implied warranties of merchantability or fitness for a particular purpose. The dimensions in this catalog are for reference purposes only and are subject to change without notice. Specifications are subject to change without notice. Consult TE for the latest dimensions and design specifications.

TRADEMARKS

AMP+, AMP MCP, TE, TE Connectivity, and TE connectivity (logo) are trademarks.

Other product names, logos, and company names mentioned herein may be trademarks of their respective owners.

COPYRIGHT

© 2019 TE Connectivity | All rights reserved.

5-1773982-5 | 09-2019

CONTACT

TE Connectivity

4849 Hempstead Station Drive | Kettering, OH 45429 | USA

Phone: +1 800 522 6752

Mouser Electronics

Authorized Distributor

Click to View Pricing, Inventory, Delivery & Lifecycle Information:

[TE Connectivity:](#)

[YHVA630-3PHM-4MM-A](#)