



# METASPAN

## 698-960, 1710-2170 & 2300-2700 MHz

### LTE / NB-IoT

## WORLD BAND ANTENNA

**Part Numbers: 2118903-1**

### FEATURES & BENEFITS

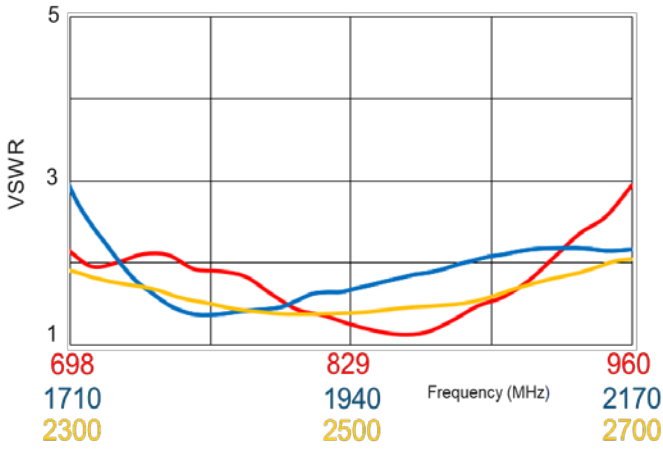
- High efficiency 3G/4G/NB-IoT antenna
- Uses MetaSpan technology for global frequency band coverage
- No matching circuits required

### SPECIFICATIONS

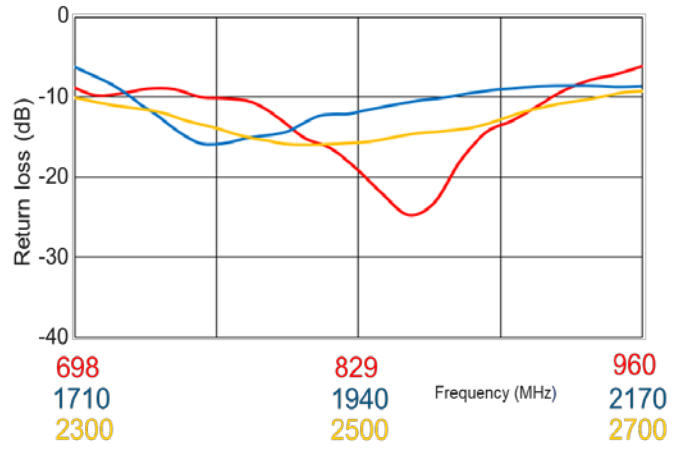
Frequency Range (MHz)	698 - 960	1710 - 2170	2300 – 2700
VSWR	< 3.0:1	< 3.0:1	< 1.6:1
Average Efficiency	81 %	72 %	80 %
Peak Gain	2.6 dBi	2.8 dBi	3.7 dBi
Average Gain	-1.0 dBi	-1.5 dBi	-1.0 dBi
Power Handling	3 Watt cw		
Feed Point Impedance	50 ohms		
Polarization	Linear		
Size	75.0 mm x 11.9 mm x 1.64 mm		
Weight	< 3.0 g		
Mounting	SMD		
Mating Connectors	N/A		
Operating Temperature	-40 to +85°C		
Storage Temperature	-40 to +85°C		
Packaging Specification	Bag & Box		
Hazardous Materials	A certificate of conformance is available from the product page on TE website		
<b>Data measured in free space and on reference GND plane of 112 mm length and 75 mm width, application data might vary</b>			

## RF DATA

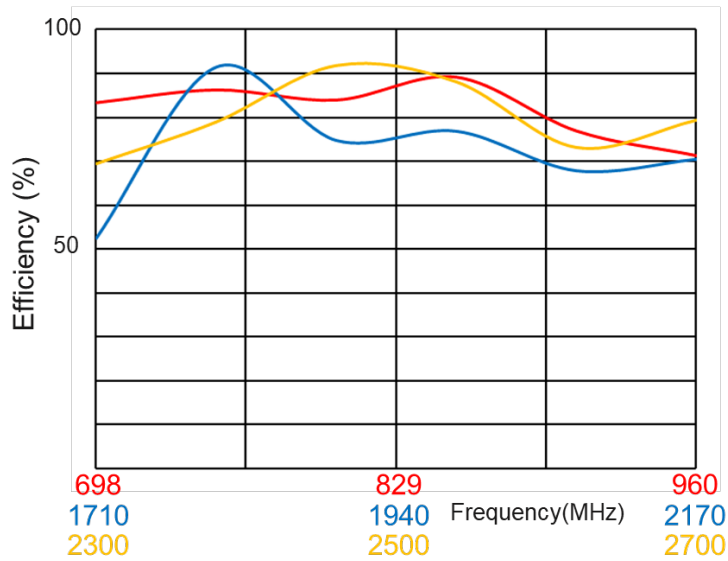
### VSWR



### Return Loss



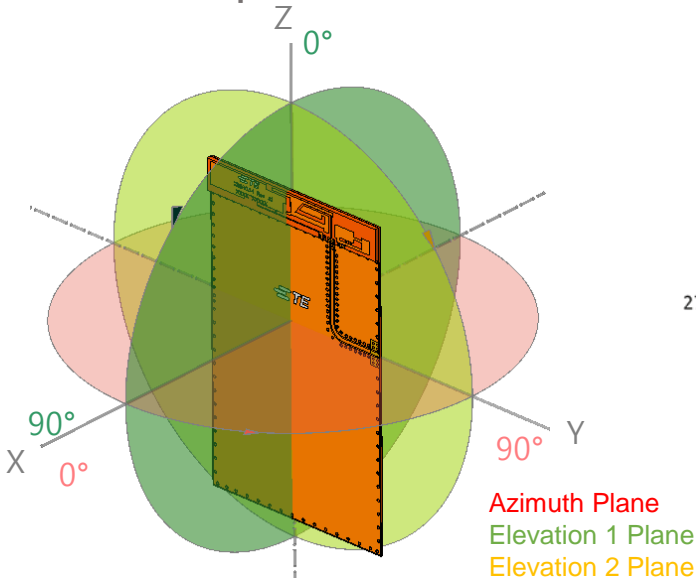
### Efficiency



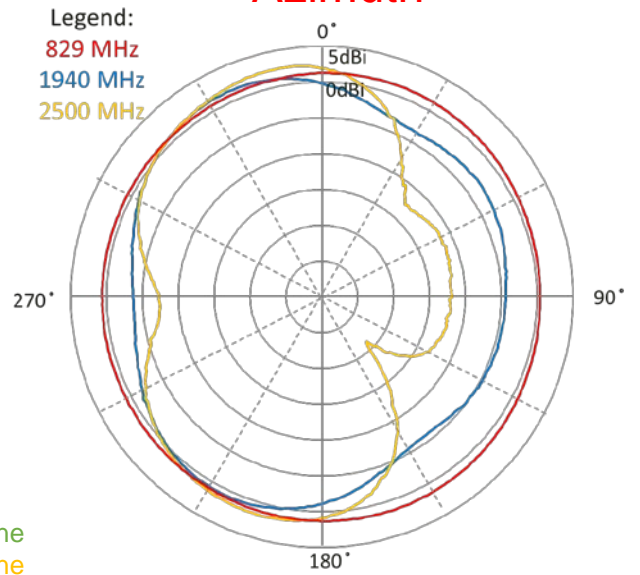
Data measured in free space and on plastic device enclosure

# RADIATION PATTERN

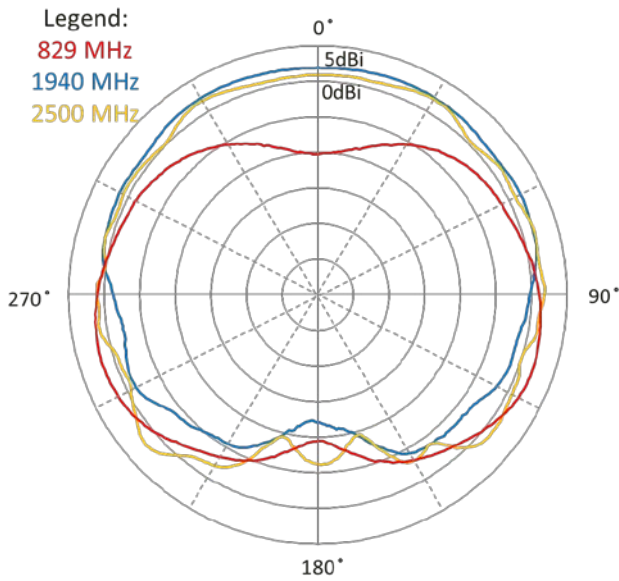
Test setup



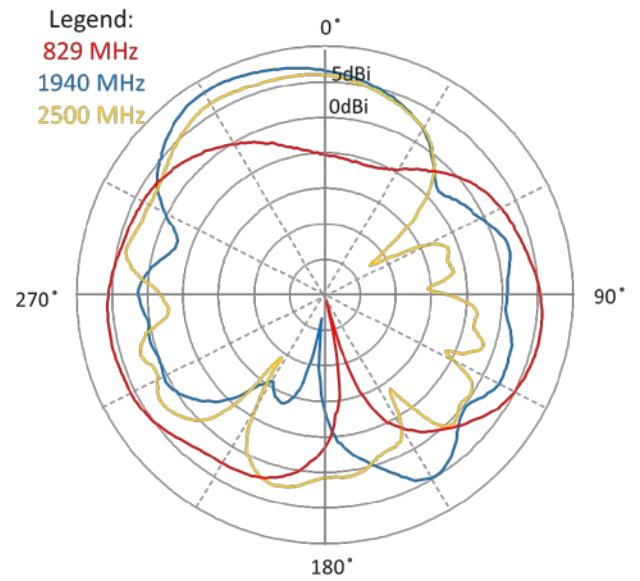
Azimuth



Elevation 1

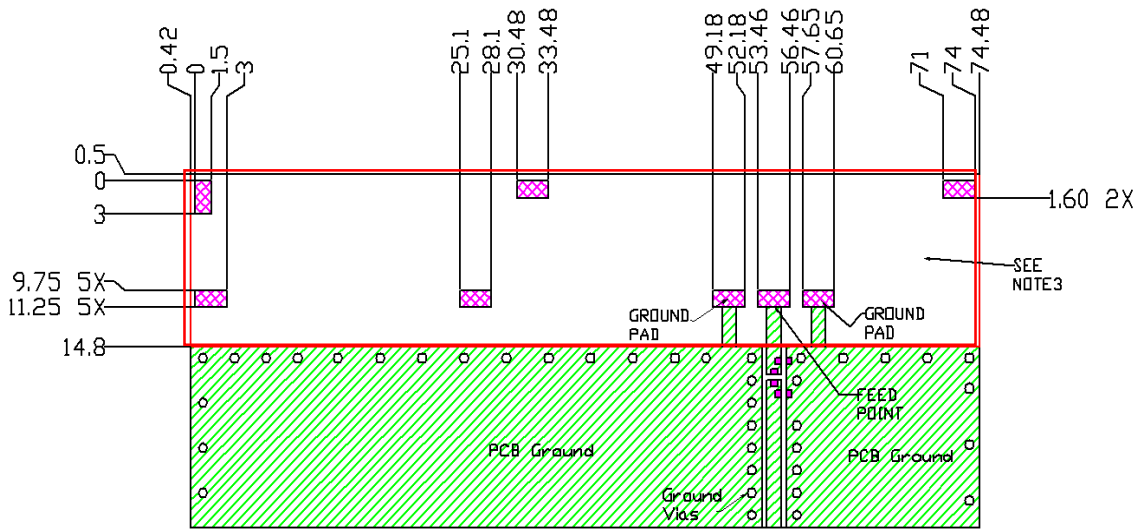


Elevation 2



Data measured in free space and on plastic device enclosure

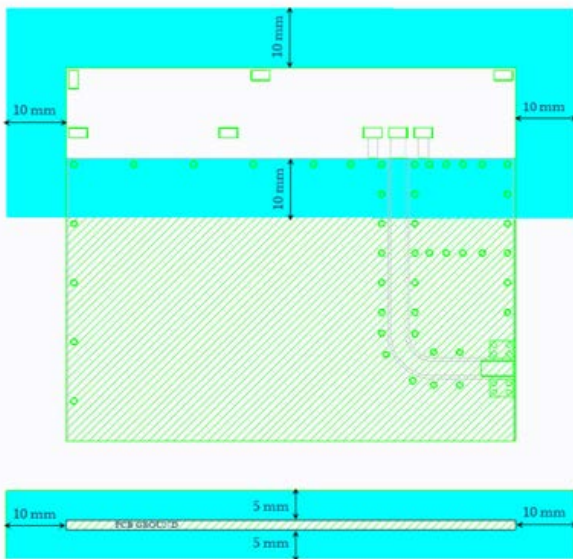
# MOUNTING GUIDE



- NOTES: 1. Suggested matching component pads.  
 2. Antenna must be mounted on the edge of PCB.  
 3. NC = No connection (mechanical mounting pads).  
 4. No copper allowed in designated area on all PCB layers –   
 5. For more information please call TE.

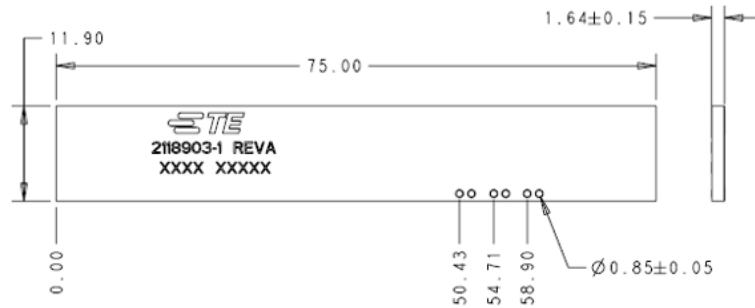
Dimension: mm  
 Diagrams is not into scale

## KEEP OUT AREA



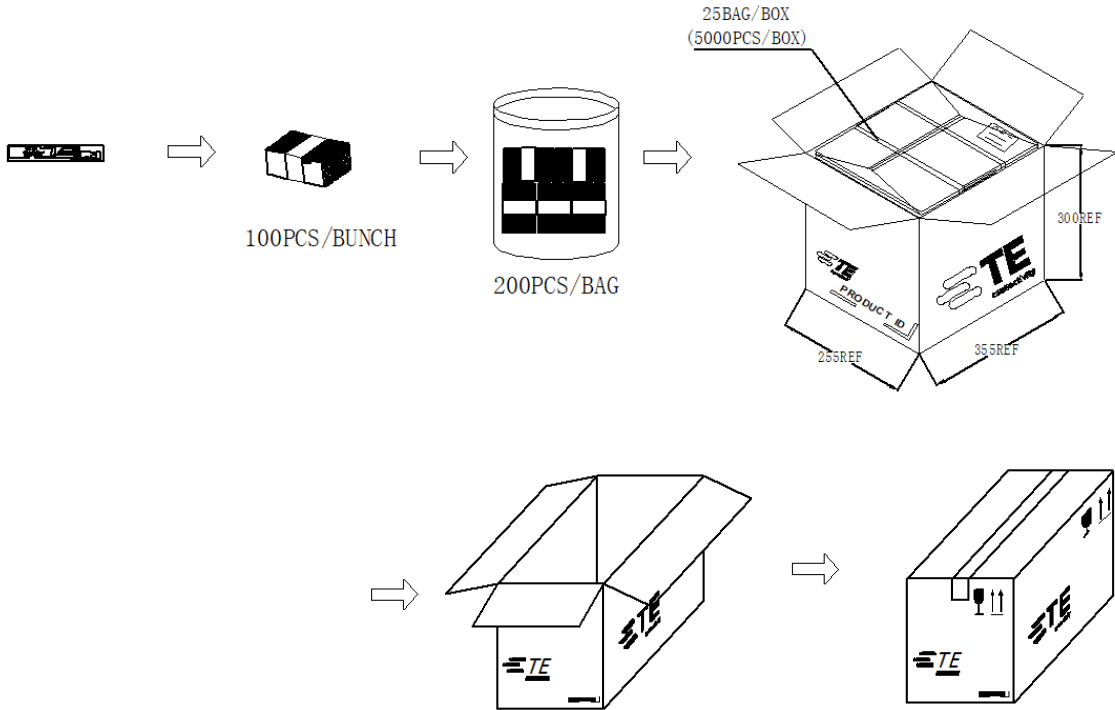
Dimension: mm  
 Diagrams is not into scale

## DIMENSIONS



Dimension: mm  
 Diagrams is not into scale

## PACKAGING



### TE TECHNICAL SUPPORT CENTER

- USA: +1 (800) 522-6752
- Canada: +1 (905) 475-6222
- Mexico: +52 (0) 55-1106-0800
- Latin/S. America: +54 (0) 11-4733-2200
- Germany: +49 (0) 6251-133-1999
- UK: +44 (0) 800-267666
- France: +33 (0) 1-3420-8686
- Netherlands: +31 (0) 73-6246-999
- China: +86 (0) 400-820-6015

For phone numbers in other countries, go to [te.com/support-center](http://te.com/support-center)

### te.com

TE Connectivity, TE Connectivity (logo) are trademarks. All other logos, products and/or company names referred to herein might be trademarks of their respective owners.

The information given herein, including drawings, illustrations and schematics which are intended for illustration purposes only, is believed to be reliable. However, TE Connectivity makes no warranties as to its accuracy or completeness and disclaims any liability in connection with its use. TE Connectivity's obligations shall only be as set forth in TE Connectivity's Standard Terms and Conditions of Sale for this product and in no case will TE Connectivity be liable for any incidental, indirect or consequential damages arising out of the sale, resale, use or misuse of the product. Users of TE Connectivity products should make their own evaluation to determine the suitability of each such product for the specific application.

© 2020 TE Connectivity Ltd. family of companies All Rights Reserved.

06/2021

# Mouser Electronics

Authorized Distributor

Click to View Pricing, Inventory, Delivery & Lifecycle Information:

[TE Connectivity:](#)

[8-2118903-1](#)