

Products → Low Voltage Products and Systems → Connection Devices → Terminal Blocks Accessories
→ Inner Deck Jumper Bars

General Information

Extended Product Type:	ITV6
Product ID:	1SNA168962R0400
EAN:	3472591689624
Catalog Description:	ITV6 Inner Deck Jumper Bars

Ordering

Minimum Order Quantity:	50 piece
Customs Tariff Number:	85369010

Dimensions

Product Net Weight:	3 g
----------------------------	-----

Technical

Function:	Inner Deck Jumper Bars
Mounting on DIN Rail:	G32 (32 x 15 mm Mounting Rail) acc. to IEC 60715 TH35-7.5 (35 x 7.5 mm Mounting Rail) acc. to IEC 60715 TH35-15 (35 x 15 mm Mounting Rail) acc. to IEC 60715
Suitable For:	M4/6.D2 M4/7.D

Certificates and Declarations (Document Number)

Declaration of Conformity - CE:	1SND225002C1007
--	-----------------

Classifications

Object Classification Code:	X
ETIM 4:	EC000489 - Cross-connector for terminal block
ETIM 5:	EC000489 - Cross-connector for terminal block
ETIM 6:	EC000489 - Cross-connector for terminal block

Container Information

Package Level 1 Units:	50 piece
Package Level 1 Width:	125 mm
Package Level 1 Depth / Length:	170 mm
Package Level 1 Height:	5 mm
Package Level 1 Gross Weight:	0.15 kg

Package Level 1 EAN: 3472591689624

Package Level 2 Units: 2500 piece

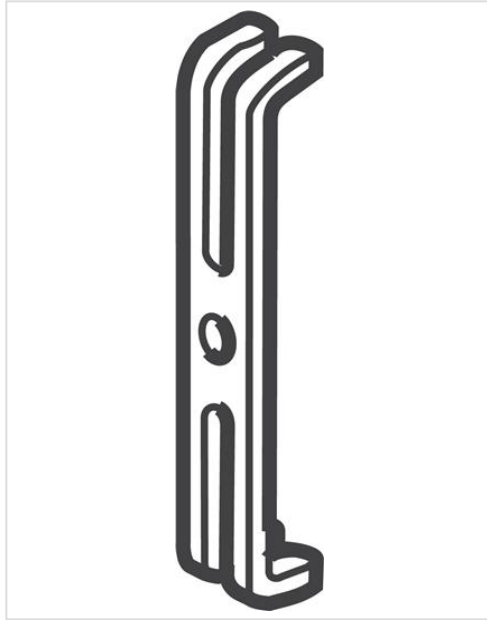
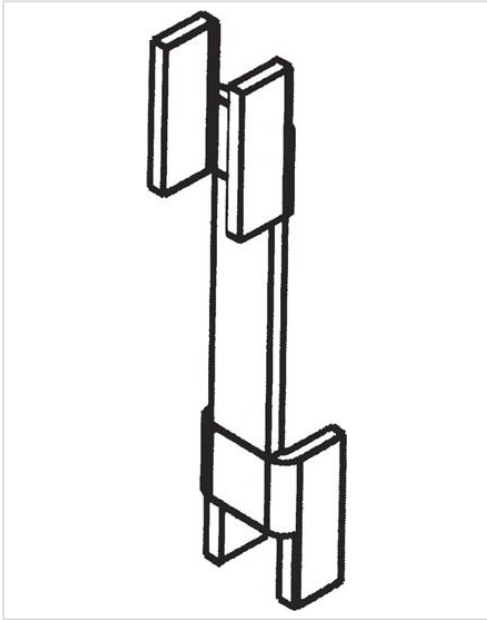
Package Level 2 Width: 300 mm

Package Level 2 Depth / Length: 500 mm

Package Level 2 Height: 150 mm

Package Level 3 Units: 120000 piece

Product Packing Type: Bag



Mouser Electronics

Authorized Distributor

Click to View Pricing, Inventory, Delivery & Lifecycle Information:

[TE Connectivity:](#)

[1SNA168962R0400](#)